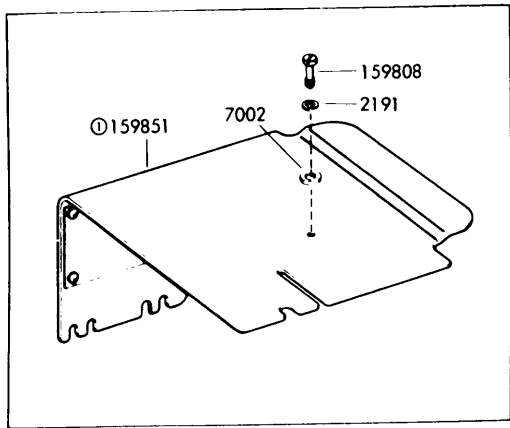


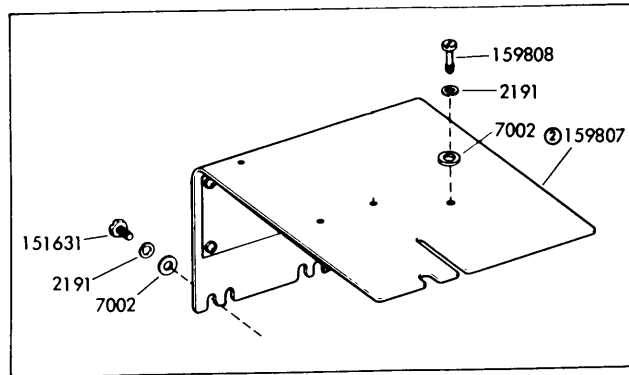
28 TRANSMITTER DISTRIBUTOR
(LAXD - Pivoted Head, Multi-contact)

PARTS

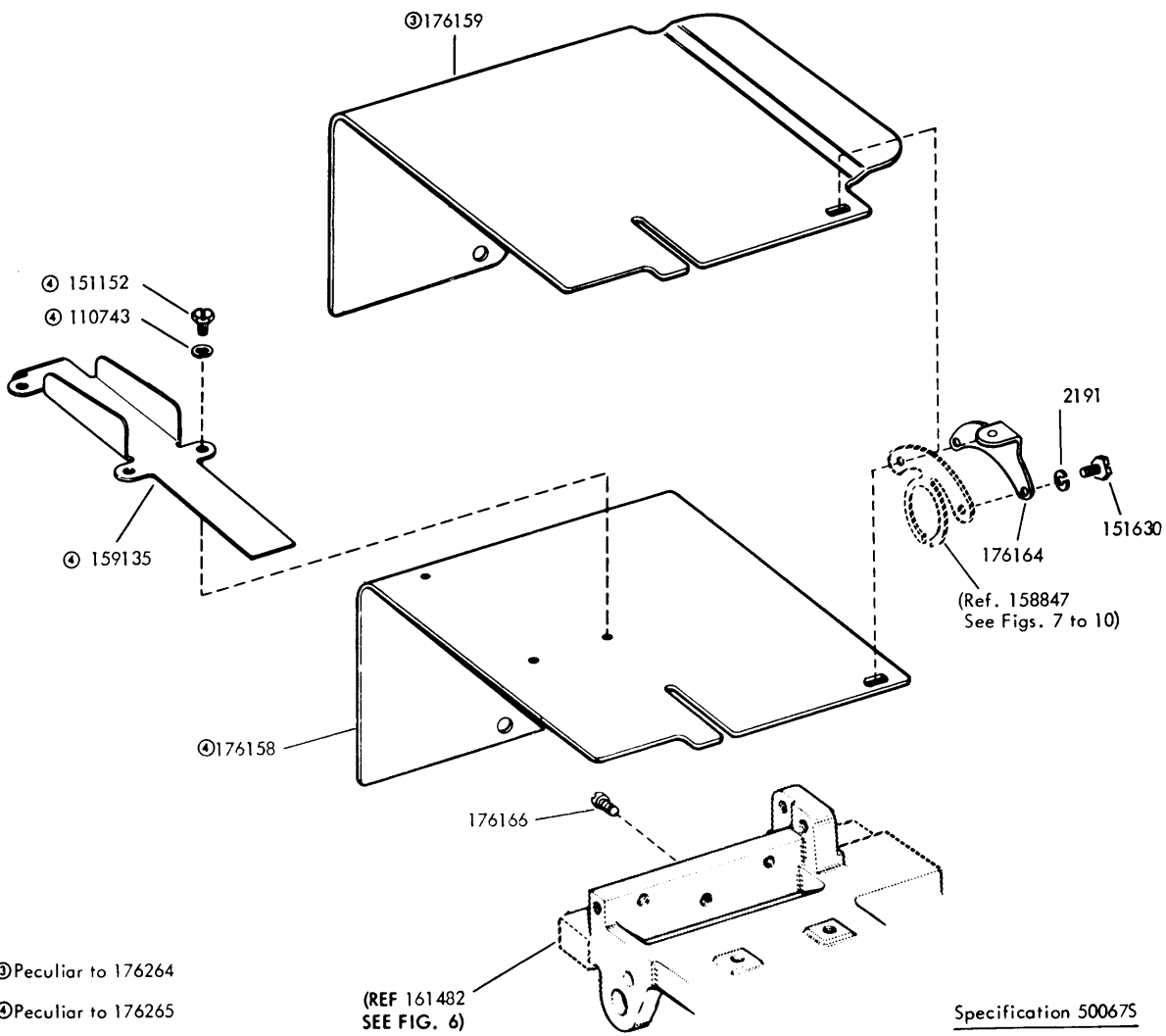
Figure	Contents	Page
1	176264 (Automatic Send-Receive Set) and 176265 (Reperforator Transmitter Set) Modification Kits to Provide Snap-on Cover	2
2	Yoke Mechanism and Last Character Contact Pile-up	3
3	Rear Plate and Reservoir Mounting Bar	4
4	Bails	5
5	Eccentric Shafts	6
6	Front Plate and Main Casting	7
7	Sensing Shaft Mechanism - 1 Cycle	8
8	Sensing Shaft Mechanism - 2 Cycle	9
9	Distributor Shaft Mechanism - 1 Cycle	10
10	Distributor Shaft Mechanism - 2 Cycle	11
11	Distributor Contact Block	12
12	Storing Switch	13
13	Storing Switch with Transfer Type Code Reading Contacts	14
14	Clutch Trip Mechanism	15
15	179129 (with Chute) and 179228 (Less Chute) Modification Kits to Provide Fully Enclosed Last Character Contact Assemblies	16
	Numerical Index	17



① No longer available, order 176264 Modification Kit



② No Longer available, order 176265 Modification Kit



③ Peculiar to 176264

④ Peculiar to 176265

(REF 161482
SEE FIG. 6)

Specification 500675

FIGURE 1. 176264 (AUTOMATIC SEND-RECEIVE SET) AND 176265 (REPERFORATOR TRANSMITTER SET) MODIFICATION KITS TO PROVIDE SNAP-ON COVER

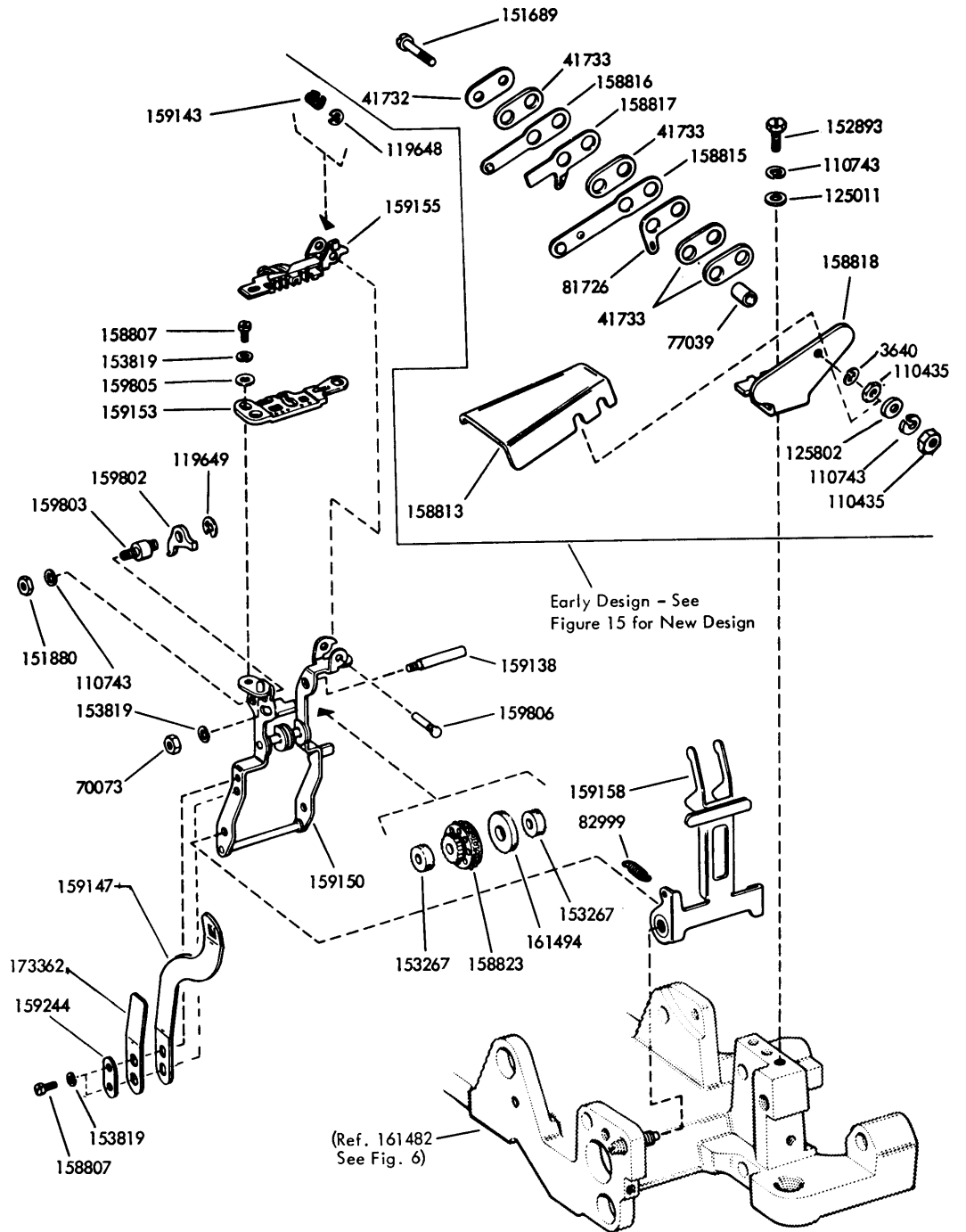


FIGURE 2. YOKE MECHANISM AND LAST CHARACTER CONTACT PILE-UP

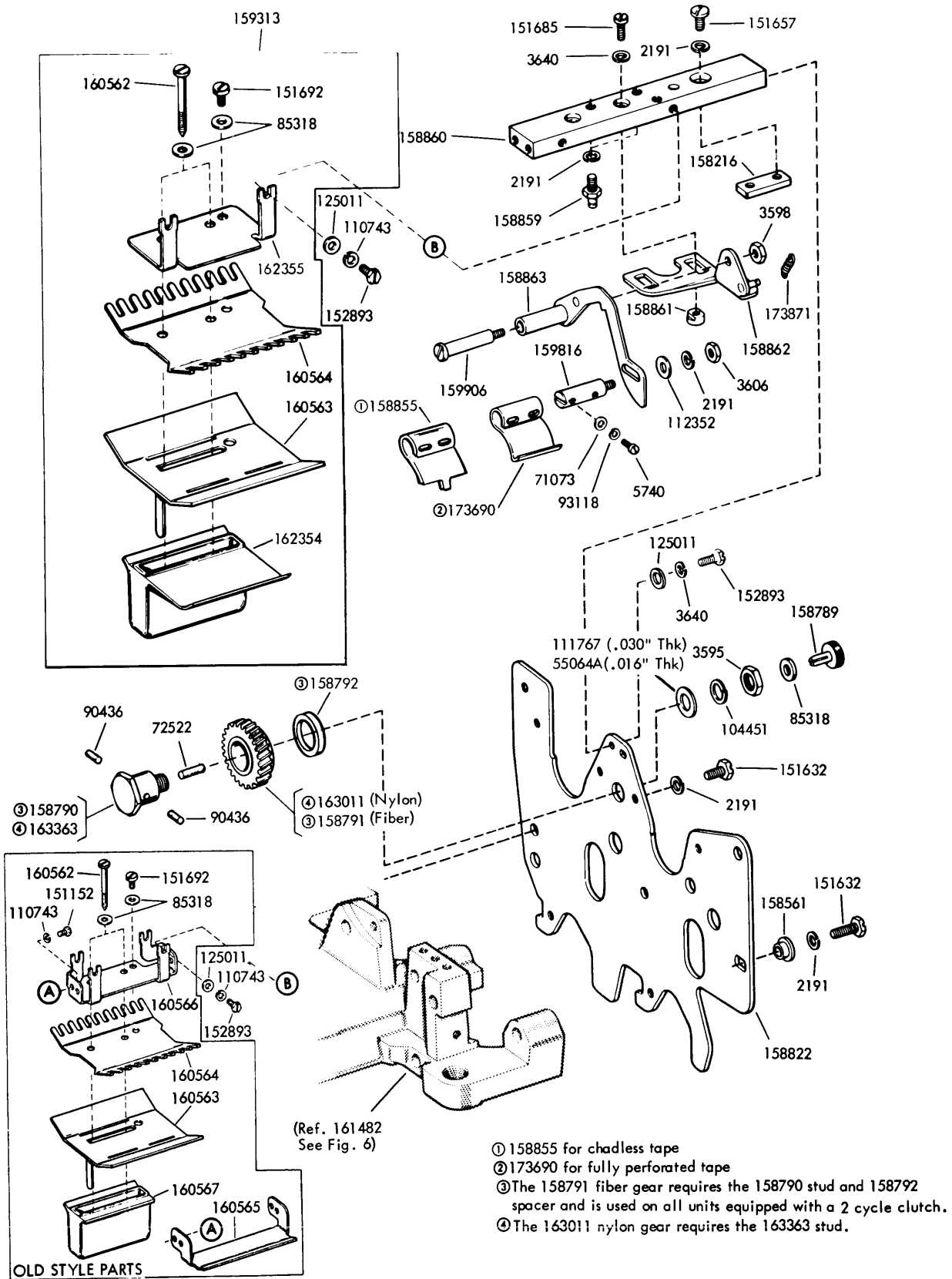


FIGURE 3. REAR PLATE AND RESERVOIR MOUNTING BAR

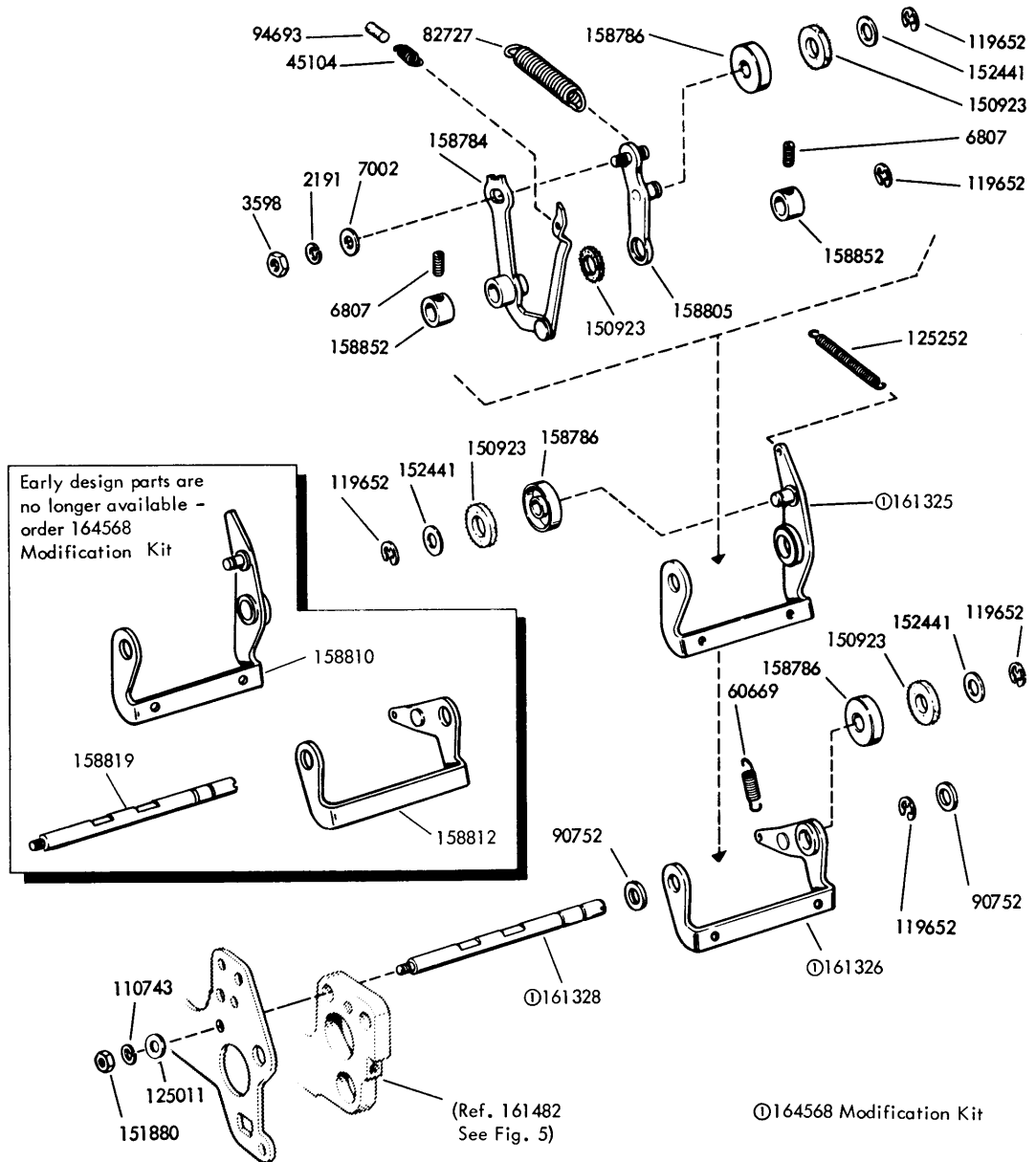


FIGURE 4. BAILS

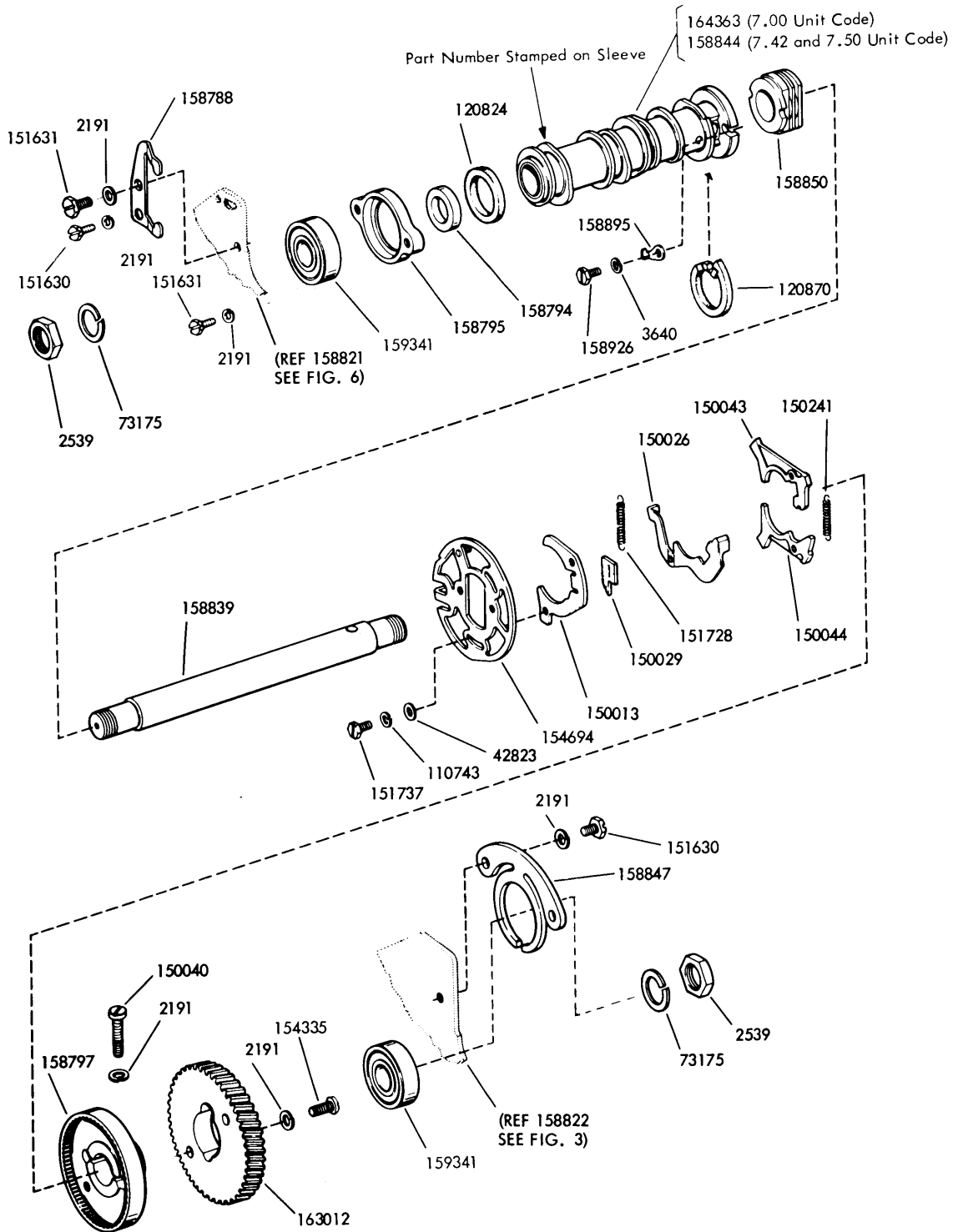


FIGURE 7. SENSING SHAFT MECHANISM - 1 CYCLE

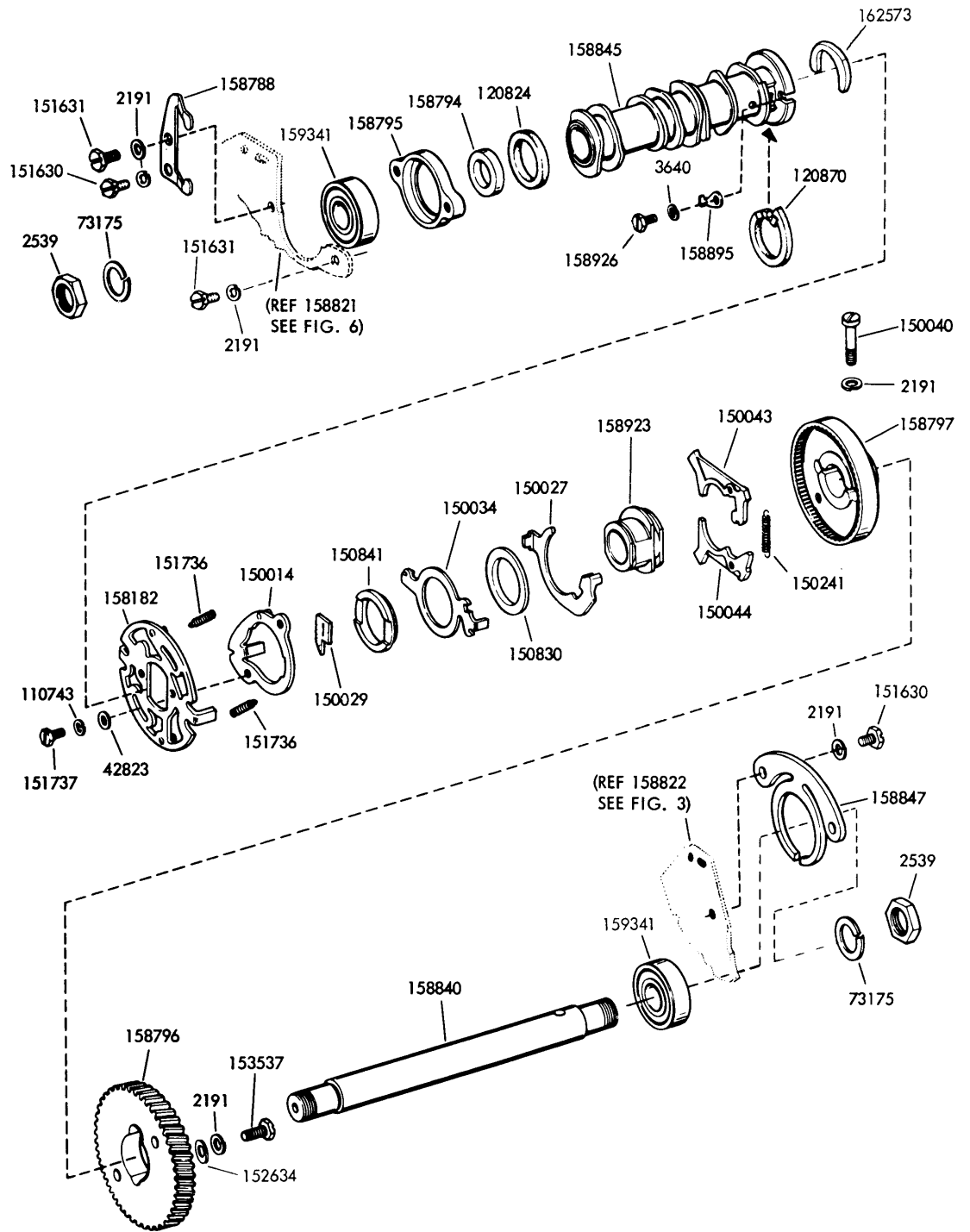


FIGURE 8. SENSING SHAFT MECHANISM - 2 CYCLE

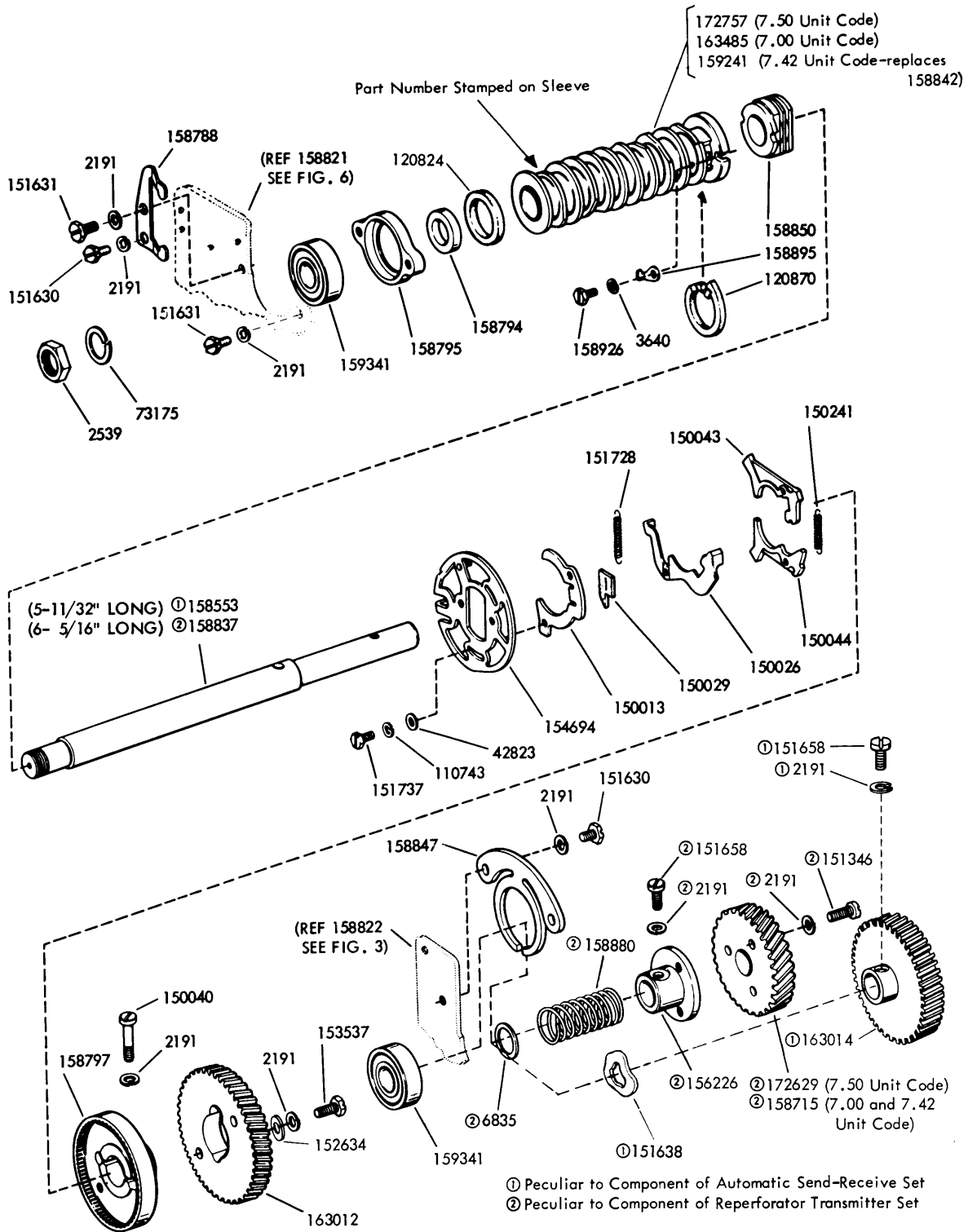
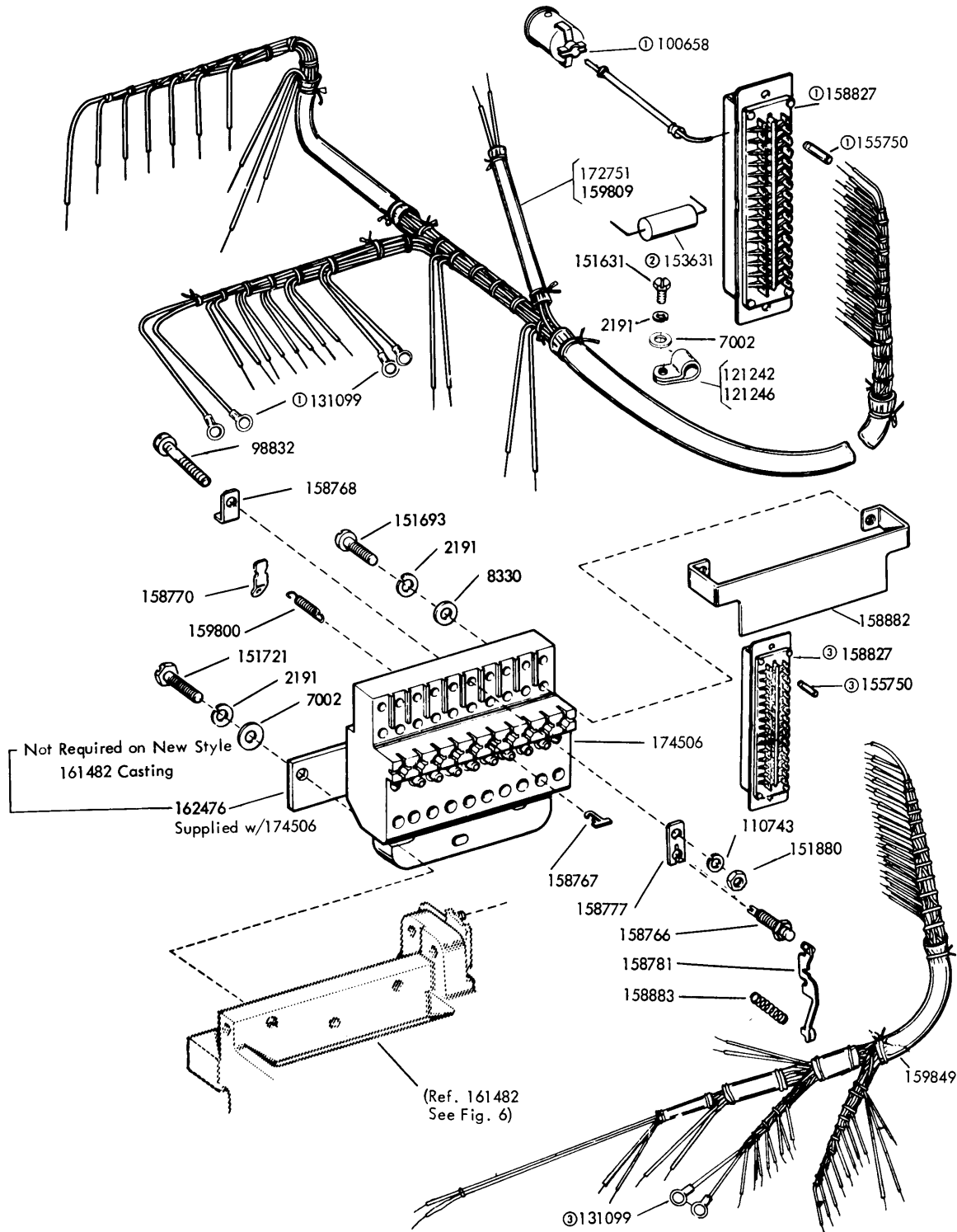
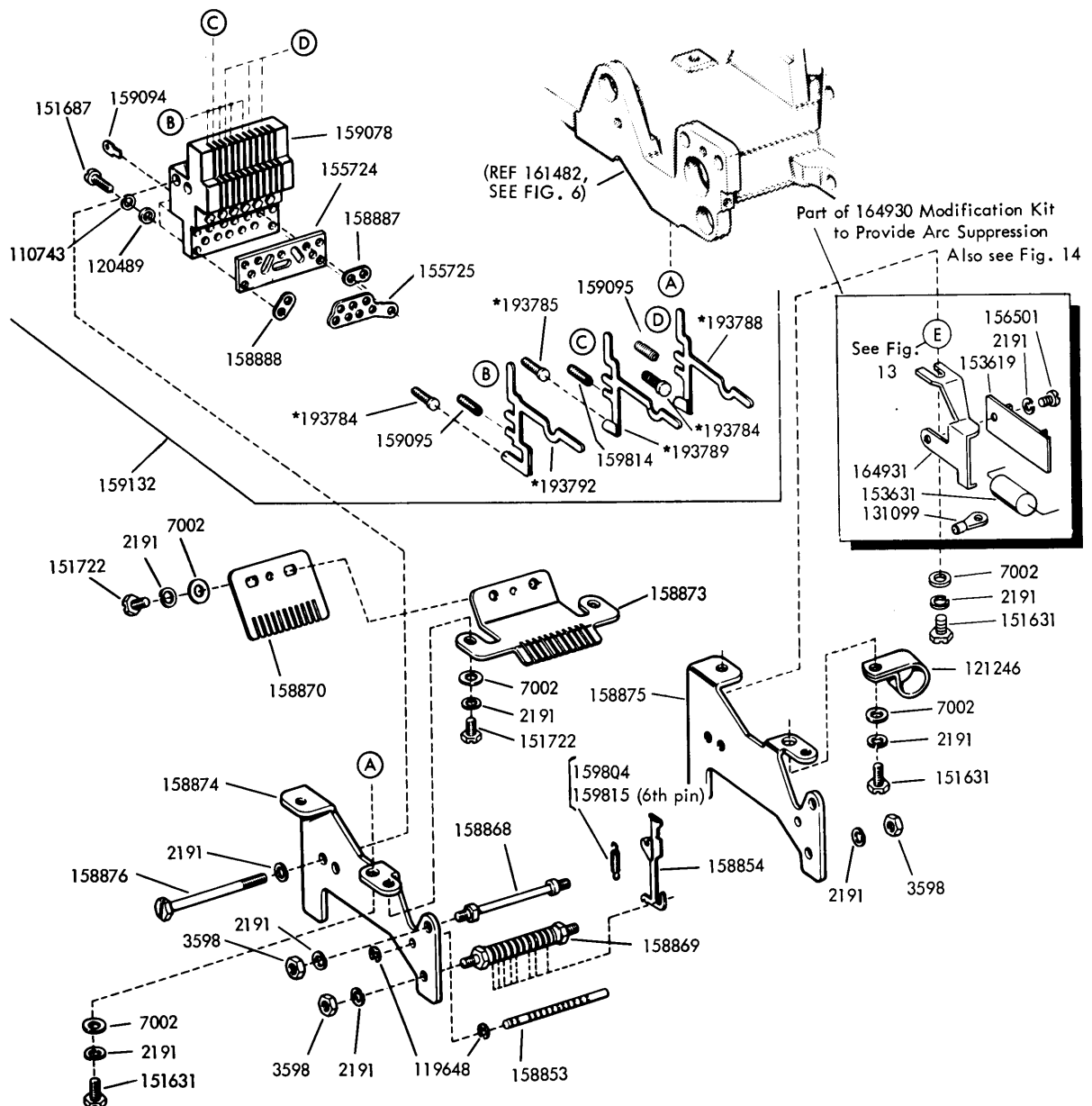


FIGURE 9. DISTRIBUTOR SHAFT MECHANISM - 1 CYCLE



- ① Part of 159809 and 172751 Cable Assemblies (for Reperforator Transmitter Set Component)
- ② Peculiar to 172751 Cable Assembly
- ③ Part of 159849 Cable Assembly (for Automatic Send-Receive Set Component)

FIGURE 11. DISTRIBUTOR CONTACT BLOCK



*Parts marked with an asterisk are of a new design. New and old style parts are individually interchangeable. However, when replacing an early design lower contact lever with the new style, it is also necessary to replace the adjacent levers with new style.

FIGURE 12. STORING SWITCH

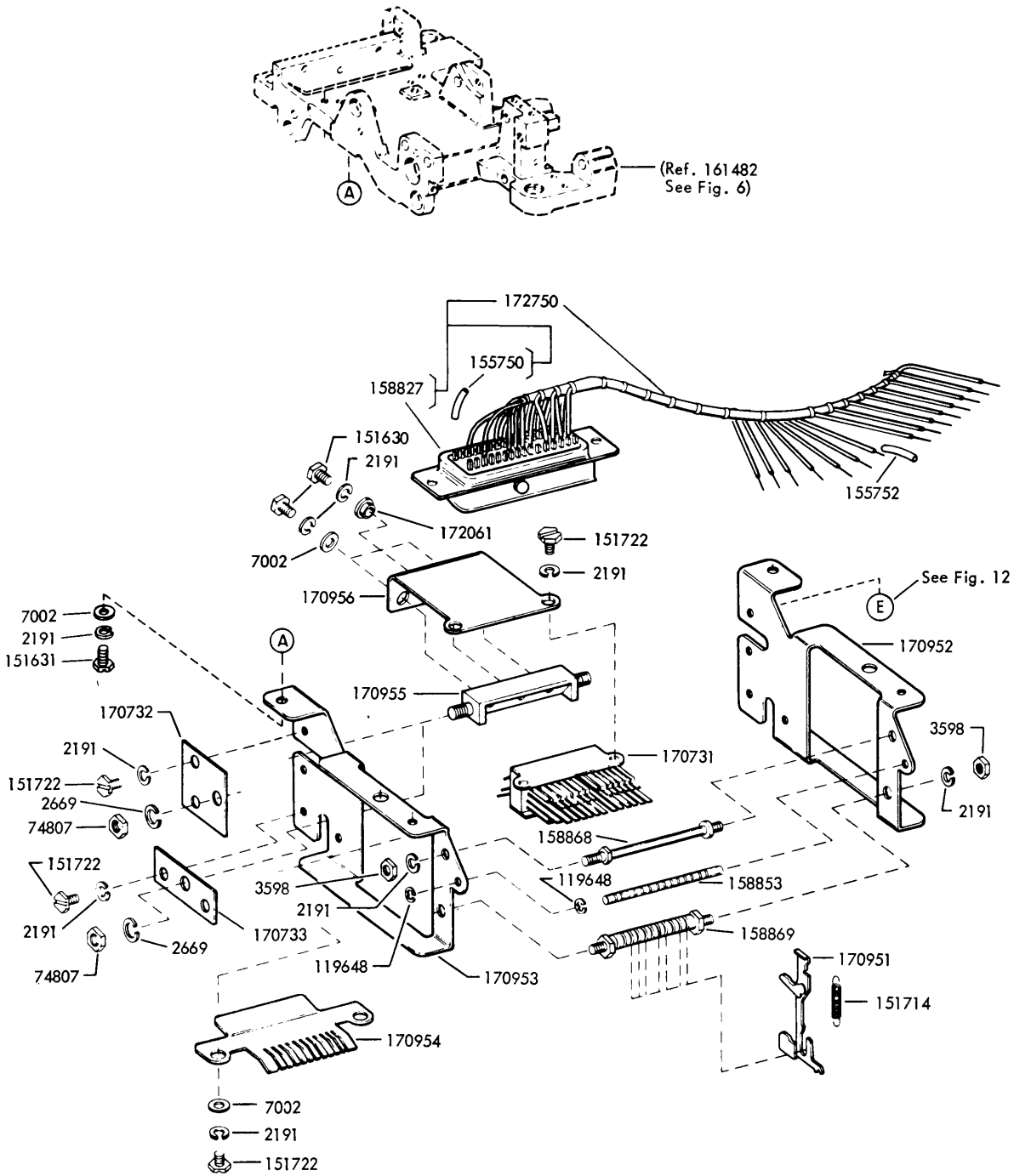
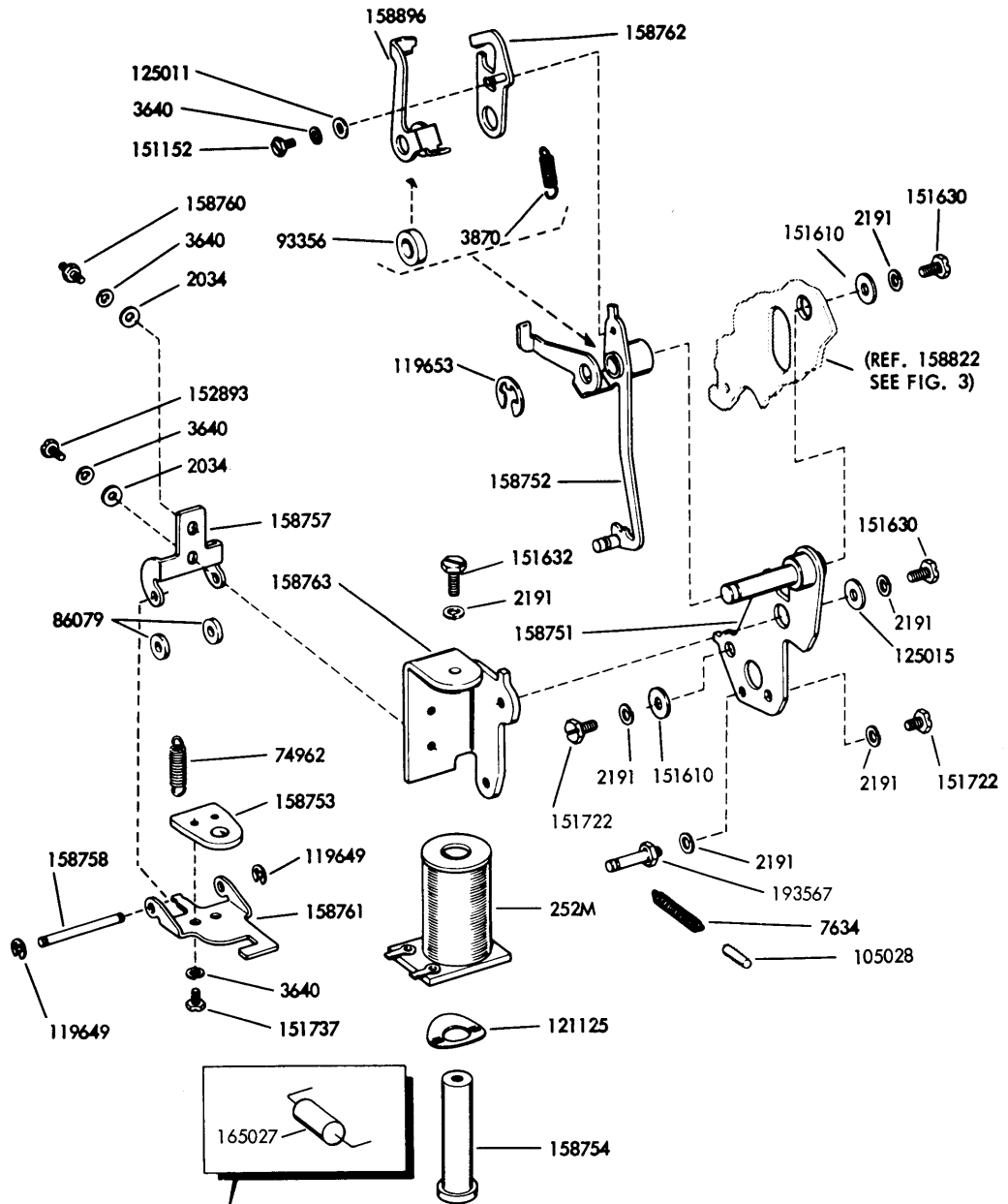


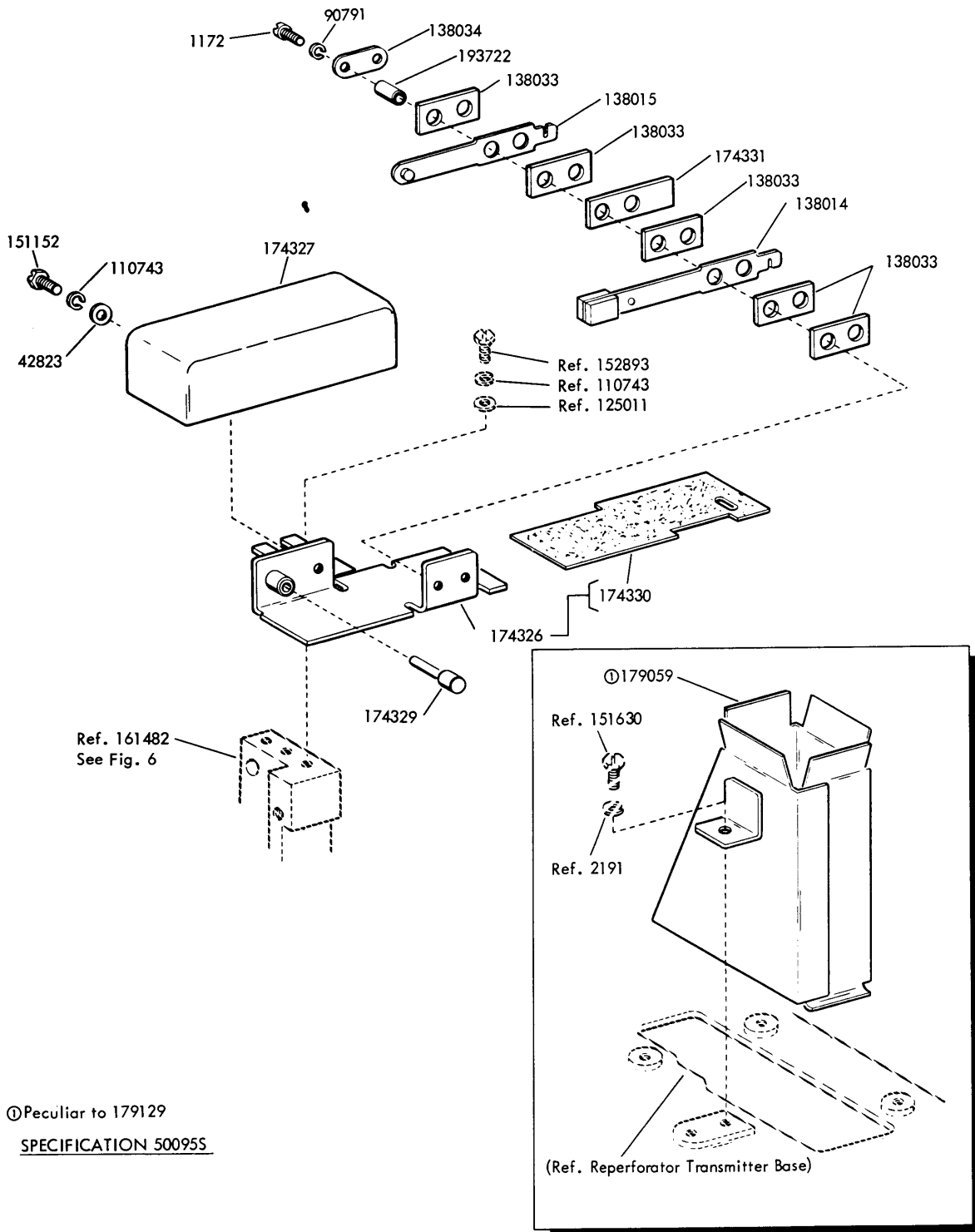
FIGURE 13. STORING SWITCH WITH TRANSFER TYPE CODE READING CONTACTS



Part of 164930 Modification Kit to provide Arc Suppression. See Figure 12 for additional parts.

Note:
These Parts are common to both Sensing and Distributor Clutch Trip Mechanisms.

FIGURE 14. CLUTCH TRIP MECHANISM



①Peculiar to 179129
SPECIFICATION 500955

FIGURE 15. 179129 (WITH CHUTE) AND 179228 (LESS CHUTE) MODIFICATION KITS TO PROVIDE FULLY ENCLOSED LAST CHARACTER CONTACT ASSEMBLIES

NUMERICAL INDEX

Part Number	Description and Page Number	Part Number	Description and Page Number	Part Number	Description and Page Number
252M	Coil, Magnet 15	121242	Clamp, Cable (1/8" ID) 12	153819	Washer, Lock 3
1172	Screw (2-56 x 5/16 Fil) 16	121246	Clamp, Cable (3/8" ID) 12, 13	154335	Screw (6-40 x 9/32 Fil) 8
2034	Washer, Flat 6, 15	125011	Washer, Flat 3, 4, 5, 6, 15	154694	Disk, Clutch Cam 8, 10
2191	Washer, Lock 2, 4, 5, 6, 7, 8, 9, 10, 11, 12, 13, 14, 15	125015	Washer, Flat 15	155724	Strip, Insulating 13
2539	Nut (3/8-32 Hex) 8, 9, 10, 11	125252	Spring 5	155725	Plate 13
2669	Washer, Lock 6, 7, 14	125802	Washer, Flat 3	155750	Sleeve, Insulating (3/32 ID x 1/2" Lg) 12, 14
3595	Nut (1/4-32 Hex) 4	131099	Terminal 12, 13	155752	Sleeve, Insulating (5/64 ID x 1/2" Lg) 14
3598	Nut (6-40 Hex) 4, 5, 6, 7, 13, 14	138014	Spring, Contact 16	156226	Hub 10, 11
3599	Nut (4-40 Hex) 7	138015	Spring, Contact 16	156501	Screw (6-40 x 7/32 Fil) 13
3606	Nut (6-40 Hex) 4	138031	Bushing, Insulating	156887	Screw (10-32 x 9/16 Hex) 7
3640	Washer, Lock 3, 4, 5, 7, 8, 9, 10, 11, 15	138033	Insulator (.031") 16	158182	Disk, Clutch Cam 9, 11
3870	Spring 15	138034	Plate, Clamp 16	158216	Plate, Nut 4
5740	Screw (2/56 x 1/4 Fil) 4	150013	Disk, Adjusting 8, 10	158553	Shaft 10
6807	Screw, Set (6-40) 5	150014	Disk, Adjusting 9, 11	158556	Bracket, Spring 6
6835	Washer, Flat 10, 11	150026	Lever, Shoe Release 8, 10	158561	Bushing 4, 7
6970	Nut (3/8-32 Hex) 7	150027	Lever, Shoe Release 9, 11	158715	Gear (32 T) 10
7002	Washer, Flat 2, 5, 7, 12, 13, 14	150029	Wick, Felt 8, 9, 10, 11	158751	Plate, Clutch Trip 15
7634	Spring 15	150034	Disk, Clutch (2 Stop) 9, 11	158752	Lever, Trip 15
8330	Washer, Flat 12	150040	Screw (6-40 x 5/8 Fil) 8, 9, 10, 11	158753	Armature, Magnet 15
34432	Washer, Flat 6	150043	Shoe, Secondary Clutch 8, 9, 10, 11	158754	Core, Magnet 15
41732	Plate, Clamp 3	150044	Shoe, Primary Clutch 8, 9, 10, 11	158757	Hinge, Mounting 15
41733	Insulator (.062") 3	150048	Spring 6	158758	Shaft 15
42823	Washer, Flat 8, 9, 10, 11, 16	150241	Spring 8, 9, 10, 11	158760	Post, Spring 15
45104	Spring, Check Pawl 5	150507	Spring 6	158761	Bail, Armature 15
55064A	Washer, Flat 4	150830	Bushing, Shoulder 9, 11	158762	Lever, Trip 15
60669	Spring 5	150841	Bearing 9, 11	158763	Bracket 15
70073	Nut (3-48 Hex) 3	150923	Washer, Felt 5, 6	158766	Screw, Contact (6-40) 12
71073	Washer, Flat 4	151103	Spring 6	158767	Guide, Lever 12
72522	Wick, Felt 4	151152	Screw (4-40 x 3/16 Hex) 2, 4, 6, 15, 16	158768	Terminal 12
73175	Washer, Lock 8, 9, 10, 11	151346	Screw (6-40 x 3/8 Fil) 10, 11	158770	Terminal, Spring Holder 12
74807	Nut (10-32 Hex) 14	151397	Spring 6	158771	Shaft 7
74962	Spring 15	151610	Washer, Flat 15	158777	Holder, Screw 12
76474	Nut (10-32 Hex) 7	151630	Screw (6-40 x 1/4 Hex) 2, 8, 9, 10, 11, 14, 15	158778	Post, Spring 7
77039	Bushing, Insulating 3	151631	Screw (6-40 x 5/16 Hex) 2, 7, 8, 9, 10, 11, 12, 13, 14	158779	Lever, Cam Follower 7
81726	Terminal 3	151632	Screw (6-40 x 3/8 Hex) 4, 7, 15	158780	Guide 7
82727	Spring 5	151638	Washer, Spring 10	158781	Rocker, Contact 12
82999	Spring 3	151657	Screw (6-40 x 1/4 Fil) 4	158784	Lever, Feed 5
84575	Spring 6, 7	151658	Screw (6-40 x 5/16 Fil) 10, 11	158786	Roller 5, 6
85318	Washer, Leather 4	151685	Screw (4-40 x 5/16 Fil) 4	158788	Clamp, Bearing 8, 9, 10, 11
86079	Washer, Felt 15	151687	Screw (4-40 x 7/16 Fil) 13	158789	Plug, Oil Retainer 4
90436	Wick, Felt 4	151689	Screw (4-40 x 3/4 Fil) 3	158790	Stud 4
90752	Washer, Felt 5	151692	Screw (6-40 x 3/16 Fil) 4	158791	Gear (23 T) 4
90791	Washer, Lock 16	151693	Screw (6-40 x 9/16 Fil) 12	158792	Spacer (.083") 4
93118	Washer, Lock 4	151714	Spring 14	158794	Spacer (.109") 8, 9, 10, 11
93356	Washer, Felt 15	151721	Screw (6-40 x 3/4 Hex) 12	158795	Plate 8, 9, 10, 11
94693	Wick, Felt 5	151722	Screw (6-40 x 3/16 Hex) 13, 14, 15	158796	Gear (46 T) 9, 11
98832	Screw (4-40 x 11/16 Fil) 12	151728	Spring 8, 10	158797	Drum, Clutch 8, 9, 10, 11
100658	Connector, Plug 12	151736	Spring 9, 11	158798	Pin, Sensing 6
104451	Washer, Lock 4	151737	Screw (4-40 x 11/64 Hex) 6, 8, 9, 10, 11, 15	158799	Pin, Tape Out 6
105028	Wick, Felt 15	151880	Nut (4-40 Hex) 3, 5, 12	158800	Screw, Pivot (10-32) 7
110435	Nut (4-40 Hex) 3	152441	Washer, Flat 5, 6	158801	Screw, Pivot (10-32) 7
110743	Washer, Lock 2, 3, 4, 5, 6, 8, 9, 10, 11, 12, 13, 16	152634	Washer, Flat 9, 10	158805	Lever 5
111767	Washer, Flat 4	152893	Screw (4-40 x 1/4 Hex) 3, 4, 6, 15	158807	Screw (3-48 x 11/64 Fil) 3
112352	Washer, Flat 4	153267	Washer, Felt 3	158810	Bail, Latch 5
112626	Nut (10-32 Hex) 6, 7	153537	Screw (6-40 x 9/32 Hex) 9, 10, 11	158812	Bail, Pusher 5
119648	Ring, Retaining 3, 7, 13, 14	153619	Board, Terminal 13	158813	Cover, Contact 3
119649	Ring, Retaining 3, 15	153631	Network, Spark Suppression 12, 13	158815	Spring, Contact 3
119652	Ring, Retaining 5, 6			158816	Spring, Contact 3
119653	Ring, Retaining 15			158817	Stiffener 3
120489	Spacer (.052") 13			158818	Bracket 3
120824	Washer, Felt 8, 9, 10, 11			158819	Shaft, Pivot 5
120870	Wick, Felt 8, 9, 10, 11			158821	Plate, Front 7
121125	Washer, Spring 15			158822	Plate, Rear 4
				158823	Wheel, Feed 3
				158827	Connector, Receptacle (32 Pt) 12, 14

NUMERICAL INDEX (Continued)

Part Number	Description and Page Number	Part Number	Description and Page Number	Part Number	Description and Page Number
158828	Bushing, Mounting 7	159095	Spring 13	163012	Gear, Nylon (46 T) 8, 10
158829	Shaft, Eccentric 6	159132	Block Assembly, Storing 13	163014	Gear, Nylon (48 T) 10
158830	Guide 6	159135	Guide, Tape 2	163363	Stud 4
158831	Bail, Sensing 6	159138	Stud 3	163485	Camsleeve 10
158832	Shaft, Eccentric 6	159143	Spring, Torsion 3	164363	Camsleeve 8
158833	Lever, Auxiliary (A) 6	159147	Latch 3	164568	Modification Kit 5
158834	Lever, Latch 6	159150	Yoke 3	164930	Modification Kit 13, 15
158837	Shaft 10	159153	Plate, Top 3	164931	Bracket 13
158838	Shaft, Distributor (2 Stop) 11	159155	Lid, Tape 3	165027	Network, Spark Suppression 15
158839	Shaft, Sensing (1 Stop) 8	159158	Deflector, Tape 3	170731	Contact Assembly W/Plates 14
158840	Shaft (4-13/16" Lg) 19	159164	Bracket, Deflector 6	170732	Plate, Top 14
158842	Camsleeve 10	159241	Camsleeve 10	170733	Plate, Bottom 14
158843	Camsleeve (2 Cycle) 11	159244	Plate 3	170951	Slide 14
158844	Camsleeve 8	159313	Reservoir Assembly 4	170952	Plate, Rear Side 14
158845	Camsleeve 9	159341	Bearing, Ball 8, 9, 10, 11	170953	Plate, Front Side 14
158846	Post, Spring 6	159800	Spring 12	170954	Guide 14
158847	Clamp, Bearing 8, 9, 10, 11	159802	Pawl, Detent 3	170955	Bar, Support 14
158848	Lever, Push 6	159803	Stud, Eccentric 3	170956	Bracket, Contact 14
158849	Lever, Push 6	159804	Spring 13	172061	Bushing, Shoulder 14
158850	Bearing, Sleeve 8, 10	159805	Washer, Flat 3	172629	Gear (38 T) 10
158852	Collar, Set 5	159806	Shaft 3	172750	Cable Assembly 14
158853	Post, Spring 13, 14	159807	Cover W/Insulator 2	172751	Cable Assembly 12
158854	Slide 13	159808	Screw, Captive (6-40) 2	172757	Camsleeve 10
158855	Extension 4	159809	Cable Assembly 12	173362	Stiffener 3
158859	Post, Spring 4, 7	159814	Spring, Compression 13	173690	Extension, Tape Lid 4
158860	Bar 4	159815	Spring 13	173871	Spring 4
158861	Nut (4-40 Spl) 4	159816	Stud 4	174085	Spacer (.385") 7
158862	Bracket, Depressor 4	159849	Cable Assembly 12	174326	Bracket W/Gasket 16
158863	Depressor, Tape 4	159851	Cover W/Insulator 2	174327	Cover 16
158868	Post, Stop 13, 14	159906	Stud, Shoulder 4	174329	Plunger 16
158869	Shaft, Eccentric 13, 14	160434	Spring 6	174330	Gasket 16
158870	Guide 13	160562	Screw (6-40 Spl) 4	174331	Insulator (.031") 16
158873	Guide 13	160563	Wick, Leather 4	174506	Block, Distributor 7, 12
158874	Plate, Front 13	160564	Stiffener 4	176158	Cover 2
158875	Plate, Rear 13	160565	Bail 4	176159	Cover 2
158876	Screw (6-40 x 1-5/8 Hex) 13	160566	Bracket 4	176164	Bracket, Cover 2
158880	Spring, Compression 10, 11	160567	Reservoir, Oil 4	176166	Post 2
158882	Bracket 12	160659	Gear (54 T) 11	176264	Modification Kit 2
158883	Spring, Compression 12	161148	Retainer, Oil Wick 6	176265	Modification Kit 2
158887	Plate 13	161149	Wick, Oil 6	178171	Modification Kit 7
158888	Plate 13	161325	Bail, Latch 5	179059	Chute, Tape 16
158893	Post, Spring 7	161326	Bail, Pusher 5	179129	Modification Kit 16
158894	Post, Stop 7	161328	Shaft, Pivot 5	179135	Lever, Push 6
158895	Clip 8, 9, 10, 11	161482	Casting, Main 7, 12	179228	Modification Kit 16
158896	Lever, Latch 15	161494	Washer, Felt 3	193567	Post, Spring 15
158907	Spring 6	162354	Reservoir, Oil 4	193722	Bushing, Insulator 16
158923	Bearing, Sleeve 9, 11	162355	Bracket 4	193784	Screw, Contact 13
158926	Screw (4-40 x 7/32 Hex) 8, 9, 10, 11	162470	Plate, Adapter 7	193785	Screw, Contact 13
159078	Block, Contact 13	162476	Plate 12	193788	Lever, Contact 13
159094	Plate 13	162573	Retainer 9, 11	193789	Lever, Contact 13
		163011	Gear, Nylon (23 T) 4	193792	Lever, Contact 13