

DSP4200/2K
I/O

DB-25P
333-20250

DB-25 Shell
333-51229

0.312 Cable Boot
333-95136

1/2 Cable 355-00054
36' Long

0.220 Cable Boot
333-95134

DE-9 Shell
333-51220

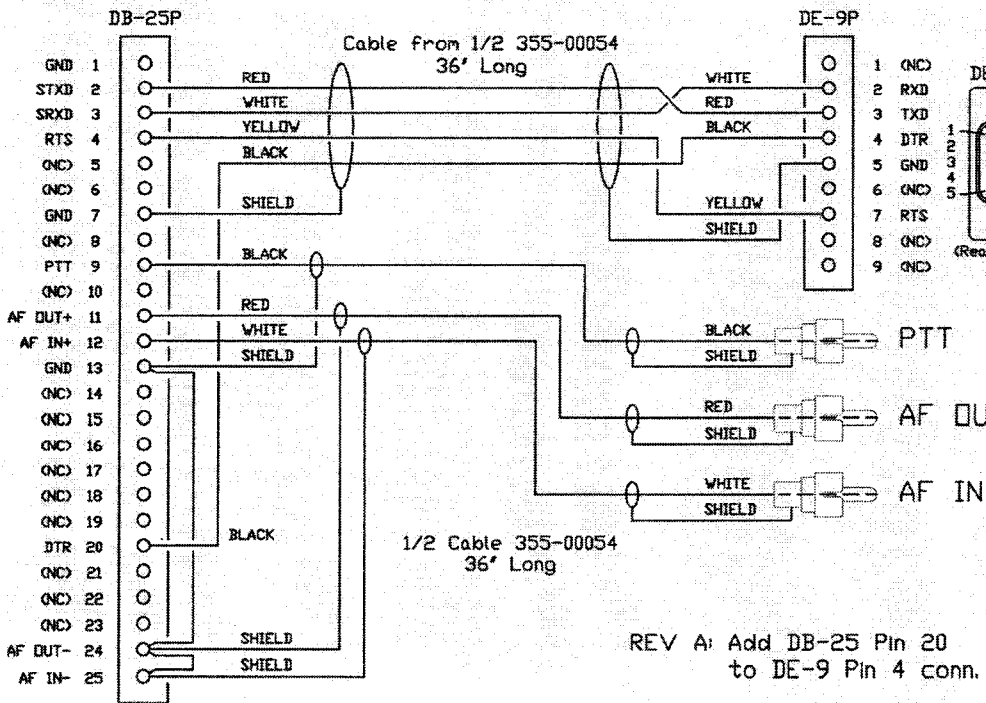
DE-9P
333-20090

RADIO
CONTROL
(GPS PORT)

1/2 Cable 355-00054
36' Long

1/2' Shrink, 2.25' Long
831-50000

BLACK PTT
RED AF OUT
WHITE AF IN



RADIO
CONTROL

HAL P/N	QUAN	DESCRIPTION
333-20090	1	DE-9P, Solder Tail
333-20250	1	DE-25P, Solder Tail
333-51220	1	DE-9 Shell, Metallized
333-51229	1	DB-25 Shell, Metallized
333-95134	1	Cable Boot, 0.220 ID
333-95136	1	Cable Boot, 0.312 ID
355-00054	72'	Phono Cable Set
831-5000	2.25'	1/2" Dia. Shrink Tubing

NOTE: Cut DIN connector from 355-00054.
Cut remaining cable in half (2x36').
Use 1/2 for Radio Control & 1/2 for Phono Conn.

REV A: Add DB-25 Pin 20
to DE-9 Pin 4 conn.

REV.	DATE	BY	HAL COMMUNICATIONS CORP. BOX 365, URBANA, IL 61803	
A	03/05/10	GWH	Cable P/N 960-16970 DSP4200/2K Test Cable	
	DATE 03/01/2010		SCALE NONE	
	DRN BY GWH		NO. C1697A	
	APP BY			