

EQUIP TYPE *R390A/URR* EXP. NO.

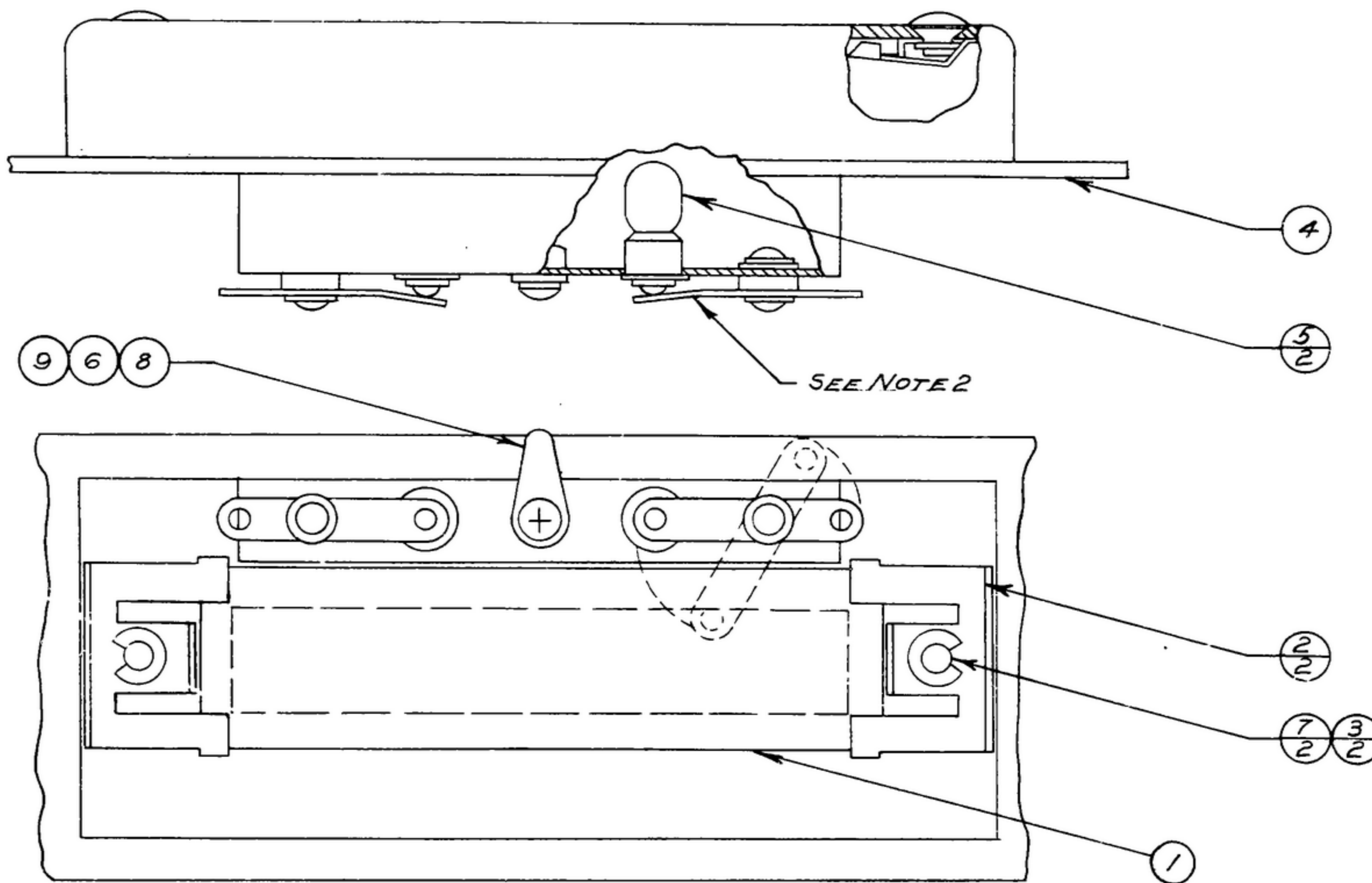
Col. 541-1704-003

NOTICE: WHEN GOVERNMENT DRAWINGS, SPECIFICATIONS, OR OTHER DATA ARE USED FOR ANY PURPOSE OTHER THAN IN CONNECTION WITH A SPECIFICALLY RELATED GOVERNMENT PURCHASE OR OPERATION, THE UNITED STATES GOVERNMENT THEREBY INCURS NO RESPONSIBILITY AND ANY OBLIGATION WHATSOEVER; AND THE FACT THAT THE GOVERNMENT MAY HAVE FORMULATED, PROVIDED, OR IN ANY WAY SUPPLIED THE SAID DRAWINGS, SPECIFICATIONS, OR OTHER DATA IS NOT TO BE REGARDED BY IMPLICATION OR OTHERWISE AS IN ANY MANNER LICENSING THE HOLDER OR ANY OTHER PERSON OR CORPORATION, OR CONFERRING ANY RIGHTS OR PRIVILEGES TO REPRODUCE, TO USE, TO SELL, OR IN ANY PATENTED INVENTION THAT MAY IN ANY WAY BE RELATED THERETO.

THIS DOCUMENT HAS BEEN PURCHASED BY THE GOVERNMENT AND MAY BE REPRODUCED AND USED IN CONNECTION WITH ANY GOVERNMENT PURCHASE OR MAINTENANCE OPERATION.

*FOR INFORMATION ONLY. CONTRACTOR MAY AT HIS OPTION DEVIATE FROM THESE PROCESS DETAILS.

REVISIONS			
SYM	DESCRIPTION	DATE	APPROVAL



- NOTES:
- 1/4 HEX, 3/32 THK, DOUBLE CHAM. AS SUPPLIED BY PHEOLL MANUFACTURING CO., CHICAGO, ILLINOIS OR EQUAL.
 - FORM CONTACT AS REQUIRED TO MAKE FIRM CONTACT TO LAMP BASE.
 - IN ALL SPLIT BALLOONS TOP FIGURE IS MATERIAL LIST ITEM INDICATOR & BOTTOM FIGURE IS QUANTITY.

343 0133 00	9	1	MS35216-12 SCREW		
313 0043 00	8	1	SM-C-249149-1 NUT-4-40 NC-2B SST		1
559 0272 002	7	2	SM-B-283174-1 RING-RETAINER		
559 0210 002	6	1	SM-B-249256 TERMINAL-SOLDER		
559 0104 002	5	2	SM-B-249224 LAMP		
558 0093 003	4	1	SM-C-283265 HOUSING ASSY		
558 0174 002	3	2	SM-B-179043 STUD		
558 0173 002	2	2	SM-B-179042 CLAMP		
558 0172 002	1	1	SM-B-283263 WINDOW		

COLLINS PART NO.	ITEM	REQD	PART NO.	DESCRIPTION	MATL	MATL SPEC
------------------	------	------	----------	-------------	------	-----------

LIST OF MATERIAL *COLLINS PART NO. 558-0501-003*

DRAWN <i>ECS</i>				CHECKED <i>Rh</i>		APPROVED		COLLINS-RADIO CO. CORR-DEPT-1000 1421A-PH-51-93		DEPARTMENT OF THE ARMY SIGNAL CORPS ENGINEERING LABORATORIES FORT MONMOUTH NEW JERSEY SM-C-249149	
UNLESS OTHERWISE SPECIFIED: DECIMAL DIMENSIONS INCLUDING HOLE SIZES MAY VARY ±.008 FRACTIONAL DIMENSIONS INCLUDING HOLE SIZES MAY VARY ±1/64 MACHINED ANGLES MAY VARY ±.1° BREAKED ANGLES MAY VARY ±.25° BROKEN ANGLES MAY VARY ±.1° ECCENTRICITY BETWEEN ANY DIAMETERS ON THE SAME CENTERLINE SHALL NOT EXCEED .010 TOTAL INDICATOR READING. ALL DIMENSIONS ARE FINISH DIMENSIONS INCLUDING APPLIED FINISH AND ARE GIVEN IN INCHES.								SIGNAL CORPS REVIEWED <i>PME</i>			
APPLICATION COLLINS NO. <i>558-0486-004</i> NEXT ASSY <i>SM-D-249149</i> USED ON <i>SC-DL-248775</i>								APPROVED <i>HLV</i> <i>PME</i> DATE <i>30 DEC 55</i> SCALE <i>2/1</i>			