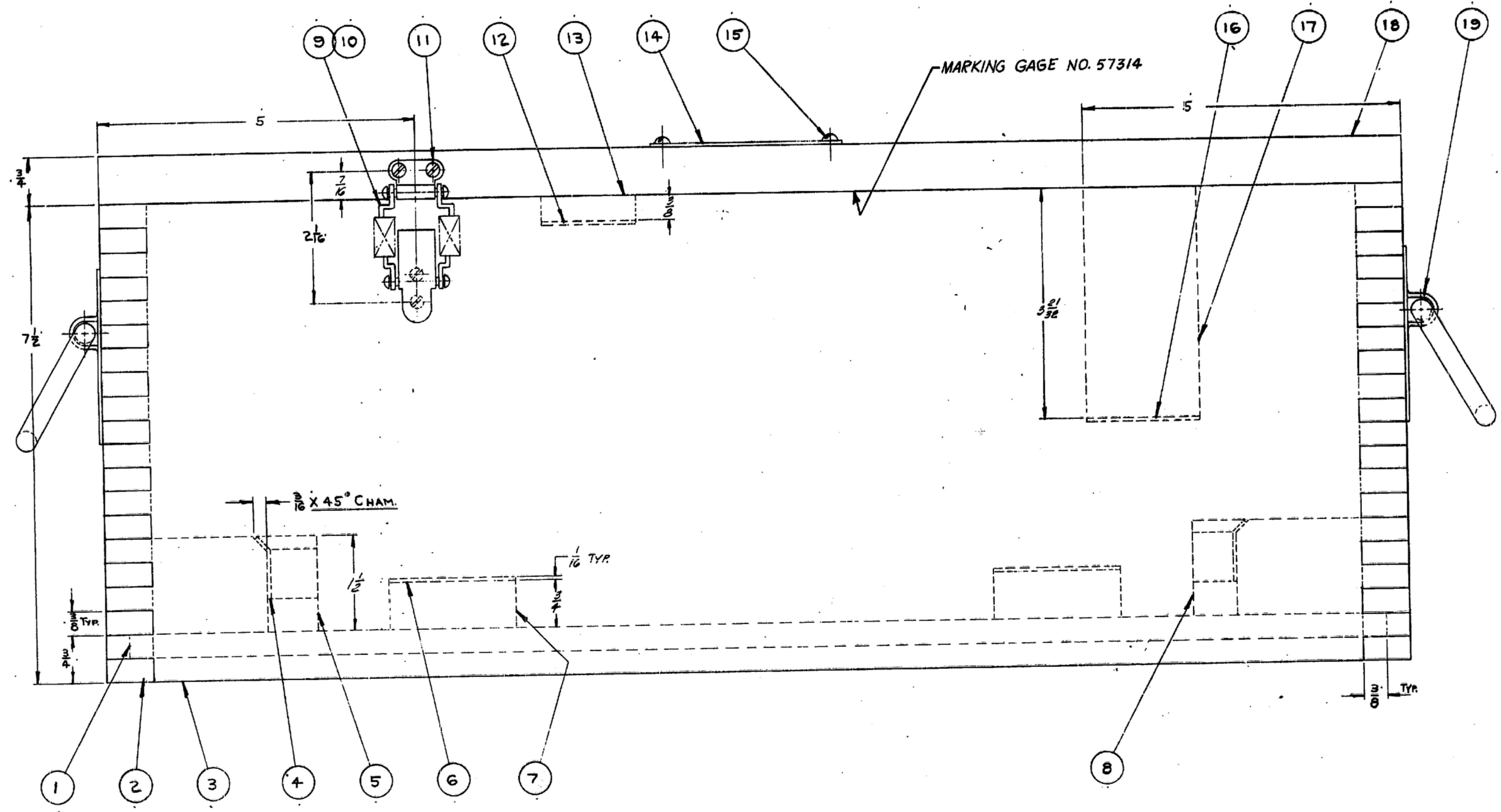


NOTE: \*FOR INFORMATION ONLY. CONTRACTOR MAY AT HIS OPTION DEVIATE FROM THESE PROCESS DETAILS

NOTES: THIS DRAWING IS FOR INFORMATION ONLY. IT IS NOT TO BE USED FOR CONSTRUCTION. THE CONTRACTOR SHALL BE RESPONSIBLE FOR OBTAINING ALL NECESSARY PERMITS AND APPROVALS. THE CONTRACTOR SHALL BE RESPONSIBLE FOR OBTAINING ALL NECESSARY MATERIALS AND EQUIPMENT. THE CONTRACTOR SHALL BE RESPONSIBLE FOR OBTAINING ALL NECESSARY LABORERS AND WORKERS. THE CONTRACTOR SHALL BE RESPONSIBLE FOR OBTAINING ALL NECESSARY TOOLS AND EQUIPMENT. THE CONTRACTOR SHALL BE RESPONSIBLE FOR OBTAINING ALL NECESSARY TRANSPORTATION. THE CONTRACTOR SHALL BE RESPONSIBLE FOR OBTAINING ALL NECESSARY ACCOMMODATION. THE CONTRACTOR SHALL BE RESPONSIBLE FOR OBTAINING ALL NECESSARY FOOD AND BEVERAGES. THE CONTRACTOR SHALL BE RESPONSIBLE FOR OBTAINING ALL NECESSARY MEDICAL SUPPLIES. THE CONTRACTOR SHALL BE RESPONSIBLE FOR OBTAINING ALL NECESSARY SAFETY EQUIPMENT. THE CONTRACTOR SHALL BE RESPONSIBLE FOR OBTAINING ALL NECESSARY COMMUNICATIONS. THE CONTRACTOR SHALL BE RESPONSIBLE FOR OBTAINING ALL NECESSARY RECORDS. THE CONTRACTOR SHALL BE RESPONSIBLE FOR OBTAINING ALL NECESSARY REPORTS. THE CONTRACTOR SHALL BE RESPONSIBLE FOR OBTAINING ALL NECESSARY CORRESPONDENCE. THE CONTRACTOR SHALL BE RESPONSIBLE FOR OBTAINING ALL NECESSARY DOCUMENTATION. THE CONTRACTOR SHALL BE RESPONSIBLE FOR OBTAINING ALL NECESSARY INFORMATION. THE CONTRACTOR SHALL BE RESPONSIBLE FOR OBTAINING ALL NECESSARY KNOWLEDGE. THE CONTRACTOR SHALL BE RESPONSIBLE FOR OBTAINING ALL NECESSARY SKILLS. THE CONTRACTOR SHALL BE RESPONSIBLE FOR OBTAINING ALL NECESSARY ABILITIES. THE CONTRACTOR SHALL BE RESPONSIBLE FOR OBTAINING ALL NECESSARY ATTITUDES. THE CONTRACTOR SHALL BE RESPONSIBLE FOR OBTAINING ALL NECESSARY CHARACTERISTICS. THE CONTRACTOR SHALL BE RESPONSIBLE FOR OBTAINING ALL NECESSARY TRAITS. THE CONTRACTOR SHALL BE RESPONSIBLE FOR OBTAINING ALL NECESSARY QUALITIES. THE CONTRACTOR SHALL BE RESPONSIBLE FOR OBTAINING ALL NECESSARY QUANTITIES. THE CONTRACTOR SHALL BE RESPONSIBLE FOR OBTAINING ALL NECESSARY MEASUREMENTS. THE CONTRACTOR SHALL BE RESPONSIBLE FOR OBTAINING ALL NECESSARY DIMENSIONS. THE CONTRACTOR SHALL BE RESPONSIBLE FOR OBTAINING ALL NECESSARY ANGLES. THE CONTRACTOR SHALL BE RESPONSIBLE FOR OBTAINING ALL NECESSARY TOLERANCES. THE CONTRACTOR SHALL BE RESPONSIBLE FOR OBTAINING ALL NECESSARY PRECISIONS. THE CONTRACTOR SHALL BE RESPONSIBLE FOR OBTAINING ALL NECESSARY ACCURACIES. THE CONTRACTOR SHALL BE RESPONSIBLE FOR OBTAINING ALL NECESSARY EXACTNESSES. THE CONTRACTOR SHALL BE RESPONSIBLE FOR OBTAINING ALL NECESSARY CORRECTNESSES. THE CONTRACTOR SHALL BE RESPONSIBLE FOR OBTAINING ALL NECESSARY PROPERNESSES. THE CONTRACTOR SHALL BE RESPONSIBLE FOR OBTAINING ALL NECESSARY APPROPRIATENESSES. THE CONTRACTOR SHALL BE RESPONSIBLE FOR OBTAINING ALL NECESSARY SUITABLENESSES. THE CONTRACTOR SHALL BE RESPONSIBLE FOR OBTAINING ALL NECESSARY FITTINGNESSES. THE CONTRACTOR SHALL BE RESPONSIBLE FOR OBTAINING ALL NECESSARY CONVENIENCES. THE CONTRACTOR SHALL BE RESPONSIBLE FOR OBTAINING ALL NECESSARY FACILITIES. THE CONTRACTOR SHALL BE RESPONSIBLE FOR OBTAINING ALL NECESSARY AMENITIES. THE CONTRACTOR SHALL BE RESPONSIBLE FOR OBTAINING ALL NECESSARY COMFORTS. THE CONTRACTOR SHALL BE RESPONSIBLE FOR OBTAINING ALL NECESSARY CONVENIENCES. THE CONTRACTOR SHALL BE RESPONSIBLE FOR OBTAINING ALL NECESSARY FACILITIES. THE CONTRACTOR SHALL BE RESPONSIBLE FOR OBTAINING ALL NECESSARY AMENITIES. THE CONTRACTOR SHALL BE RESPONSIBLE FOR OBTAINING ALL NECESSARY COMFORTS.

THIS DRAWING IS FOR INFORMATION ONLY. IT IS NOT TO BE USED FOR CONSTRUCTION. THE CONTRACTOR SHALL BE RESPONSIBLE FOR OBTAINING ALL NECESSARY PERMITS AND APPROVALS. THE CONTRACTOR SHALL BE RESPONSIBLE FOR OBTAINING ALL NECESSARY MATERIALS AND EQUIPMENT. THE CONTRACTOR SHALL BE RESPONSIBLE FOR OBTAINING ALL NECESSARY LABORERS AND WORKERS. THE CONTRACTOR SHALL BE RESPONSIBLE FOR OBTAINING ALL NECESSARY TOOLS AND EQUIPMENT. THE CONTRACTOR SHALL BE RESPONSIBLE FOR OBTAINING ALL NECESSARY TRANSPORTATION. THE CONTRACTOR SHALL BE RESPONSIBLE FOR OBTAINING ALL NECESSARY ACCOMMODATION. THE CONTRACTOR SHALL BE RESPONSIBLE FOR OBTAINING ALL NECESSARY FOOD AND BEVERAGES. THE CONTRACTOR SHALL BE RESPONSIBLE FOR OBTAINING ALL NECESSARY MEDICAL SUPPLIES. THE CONTRACTOR SHALL BE RESPONSIBLE FOR OBTAINING ALL NECESSARY SAFETY EQUIPMENT. THE CONTRACTOR SHALL BE RESPONSIBLE FOR OBTAINING ALL NECESSARY COMMUNICATIONS. THE CONTRACTOR SHALL BE RESPONSIBLE FOR OBTAINING ALL NECESSARY RECORDS. THE CONTRACTOR SHALL BE RESPONSIBLE FOR OBTAINING ALL NECESSARY REPORTS. THE CONTRACTOR SHALL BE RESPONSIBLE FOR OBTAINING ALL NECESSARY CORRESPONDENCE. THE CONTRACTOR SHALL BE RESPONSIBLE FOR OBTAINING ALL NECESSARY DOCUMENTATION. THE CONTRACTOR SHALL BE RESPONSIBLE FOR OBTAINING ALL NECESSARY INFORMATION. THE CONTRACTOR SHALL BE RESPONSIBLE FOR OBTAINING ALL NECESSARY KNOWLEDGE. THE CONTRACTOR SHALL BE RESPONSIBLE FOR OBTAINING ALL NECESSARY SKILLS. THE CONTRACTOR SHALL BE RESPONSIBLE FOR OBTAINING ALL NECESSARY ABILITIES. THE CONTRACTOR SHALL BE RESPONSIBLE FOR OBTAINING ALL NECESSARY ATTITUDES. THE CONTRACTOR SHALL BE RESPONSIBLE FOR OBTAINING ALL NECESSARY CHARACTERISTICS. THE CONTRACTOR SHALL BE RESPONSIBLE FOR OBTAINING ALL NECESSARY TRAITS. THE CONTRACTOR SHALL BE RESPONSIBLE FOR OBTAINING ALL NECESSARY QUALITIES. THE CONTRACTOR SHALL BE RESPONSIBLE FOR OBTAINING ALL NECESSARY QUANTITIES. THE CONTRACTOR SHALL BE RESPONSIBLE FOR OBTAINING ALL NECESSARY MEASUREMENTS. THE CONTRACTOR SHALL BE RESPONSIBLE FOR OBTAINING ALL NECESSARY DIMENSIONS. THE CONTRACTOR SHALL BE RESPONSIBLE FOR OBTAINING ALL NECESSARY ANGLES. THE CONTRACTOR SHALL BE RESPONSIBLE FOR OBTAINING ALL NECESSARY TOLERANCES. THE CONTRACTOR SHALL BE RESPONSIBLE FOR OBTAINING ALL NECESSARY PRECISIONS. THE CONTRACTOR SHALL BE RESPONSIBLE FOR OBTAINING ALL NECESSARY ACCURACIES. THE CONTRACTOR SHALL BE RESPONSIBLE FOR OBTAINING ALL NECESSARY EXACTNESSES. THE CONTRACTOR SHALL BE RESPONSIBLE FOR OBTAINING ALL NECESSARY CORRECTNESSES. THE CONTRACTOR SHALL BE RESPONSIBLE FOR OBTAINING ALL NECESSARY PROPERNESSES. THE CONTRACTOR SHALL BE RESPONSIBLE FOR OBTAINING ALL NECESSARY APPROPRIATENESSES. THE CONTRACTOR SHALL BE RESPONSIBLE FOR OBTAINING ALL NECESSARY SUITABLENESSES. THE CONTRACTOR SHALL BE RESPONSIBLE FOR OBTAINING ALL NECESSARY FITTINGNESSES. THE CONTRACTOR SHALL BE RESPONSIBLE FOR OBTAINING ALL NECESSARY CONVENIENCES. THE CONTRACTOR SHALL BE RESPONSIBLE FOR OBTAINING ALL NECESSARY FACILITIES. THE CONTRACTOR SHALL BE RESPONSIBLE FOR OBTAINING ALL NECESSARY AMENITIES. THE CONTRACTOR SHALL BE RESPONSIBLE FOR OBTAINING ALL NECESSARY COMFORTS. THE CONTRACTOR SHALL BE RESPONSIBLE FOR OBTAINING ALL NECESSARY CONVENIENCES. THE CONTRACTOR SHALL BE RESPONSIBLE FOR OBTAINING ALL NECESSARY FACILITIES. THE CONTRACTOR SHALL BE RESPONSIBLE FOR OBTAINING ALL NECESSARY AMENITIES. THE CONTRACTOR SHALL BE RESPONSIBLE FOR OBTAINING ALL NECESSARY COMFORTS.



- NOTES:
- SUPPLIED BY:
- CORBIN CABINET LOCK DIVISION  
THE AMERICAN HARDWARE CORP.  
NEW BRITAIN, CONNECTICUT, OR EQUAL
  - MCMASTER-CARR SUPPLY CO.  
640 WEST LAKE STREET  
CHICAGO 6, ILLINOIS, OR EQUAL
  - COMMERCIAL DOUGLAS FIR PLYWOOD EXTERIOR TYPE,  
5:1 DE SOUND 2, SIDES EXTERIOR PER SPEC. MIL-P-66.
  - ALL JOINTS INCLUDING BOTTOM SHALL BE Banded WITH  
ADHESIVE PER SPEC. MIL-A-307 TYPE 1, CLASS 1, AND  
APPLIED PER SPEC. MIL-A-542B.
  - BREAK ALL UNNECESSARY SHARP EDGES.

QTY	PART NO.	DESCRIPTION	MATERIAL	REMARKS
22	1	BRASS HINGE	BRASS	
21	16	*5 X 1/2 FLAT HD. WOOD SCR.	BRASS	
20	1	SIDE	PLYWOOD	
19	2	CORBIN HINGE		
18	1	TOP	PLYWOOD	
17	1	BLOCK	HARDWOOD	MM-L-736
16	1	PAD	FELT	C-F-208
15	4	*6 X 1/2 RD. HD. WOOD SCR.	BRASS	
14	1	TAG TO SUIT	AL. ALLOY	QA-A-318
13	1	BLOCK	HARDWOOD	MM-L-736
12	1	PAD	FELT	C-F-208
11	8	*6 X 1/2 RD. HD. WOOD SCR.	BRASS	
10	2	CORBIN STRIKE		
9	2	CORBIN CATCH		
8	2		HARDWOOD	MM-L-736
7	2		PLYWOOD	
6	2		FELT	C-F-208
5	2		HARDWOOD	MM-L-736
4	4		FELT	C-F-208
3	1		PLYWOOD	
2	2		PLYWOOD	
1	1	SM-D-57315		

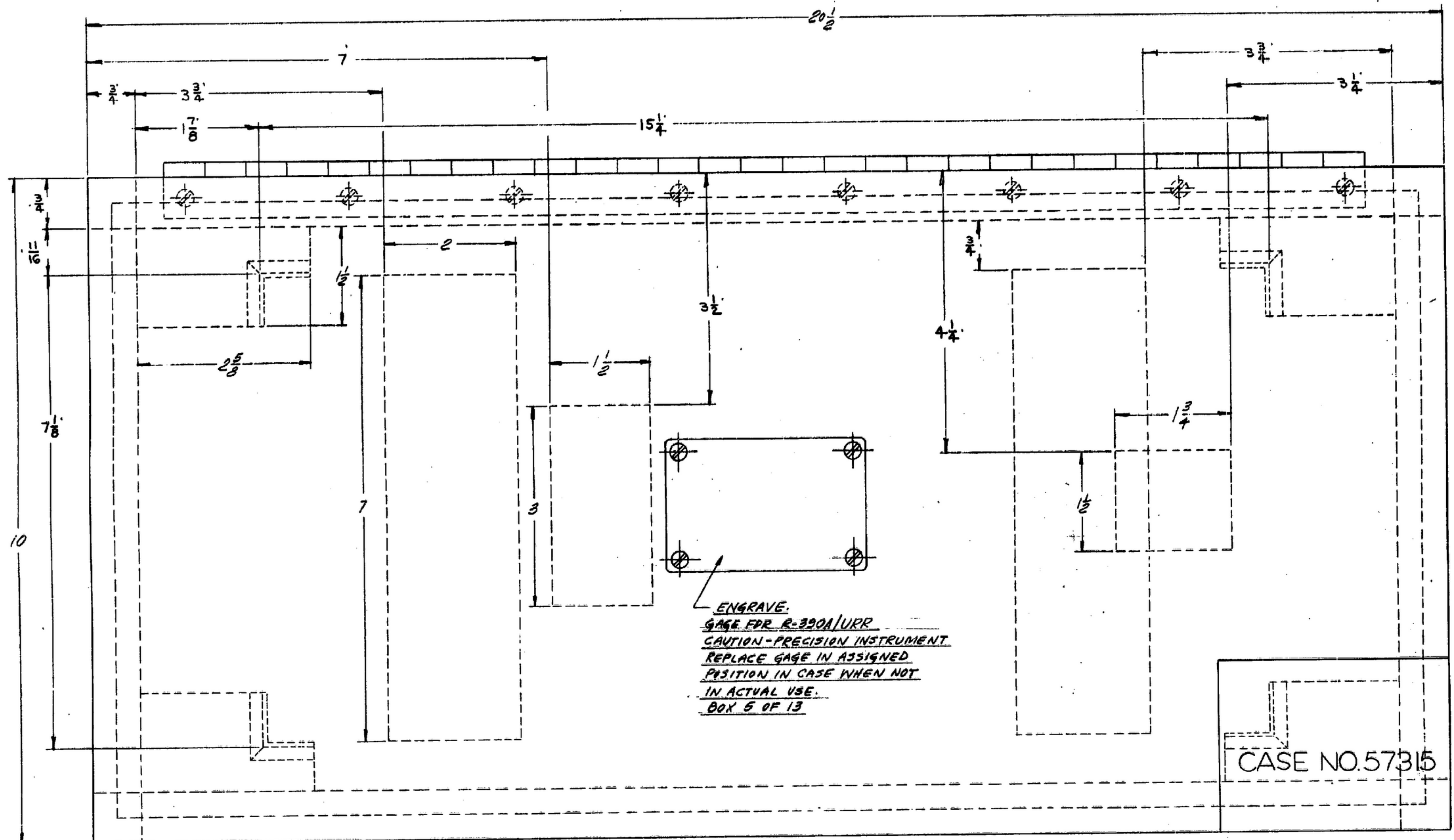
UNLESS OTHERWISE SPECIFIED DIMENSIONS ARE IN INCHES TOLERANCES ON FRACTIONS DECIMALS ANGLES	ORDER # 08719-PH-55-93 SIGNAL CORPS	DEPARTMENT OF THE ARMY SIGNAL CORPS ENGINEERING LABORATORIES FORT MONMOUTH NEW JERSEY
REVIEWED APPROVED DATE 26-10-55	SCALE FULL	SM-D-57315 SHEET 1 OF 2
APPLICATION	WHEN REFERRING TO THIS DRAWING STATE DRAWING NO., APPLICABLE ISSUE SYMBOL, IF ANY, AND DATE.	



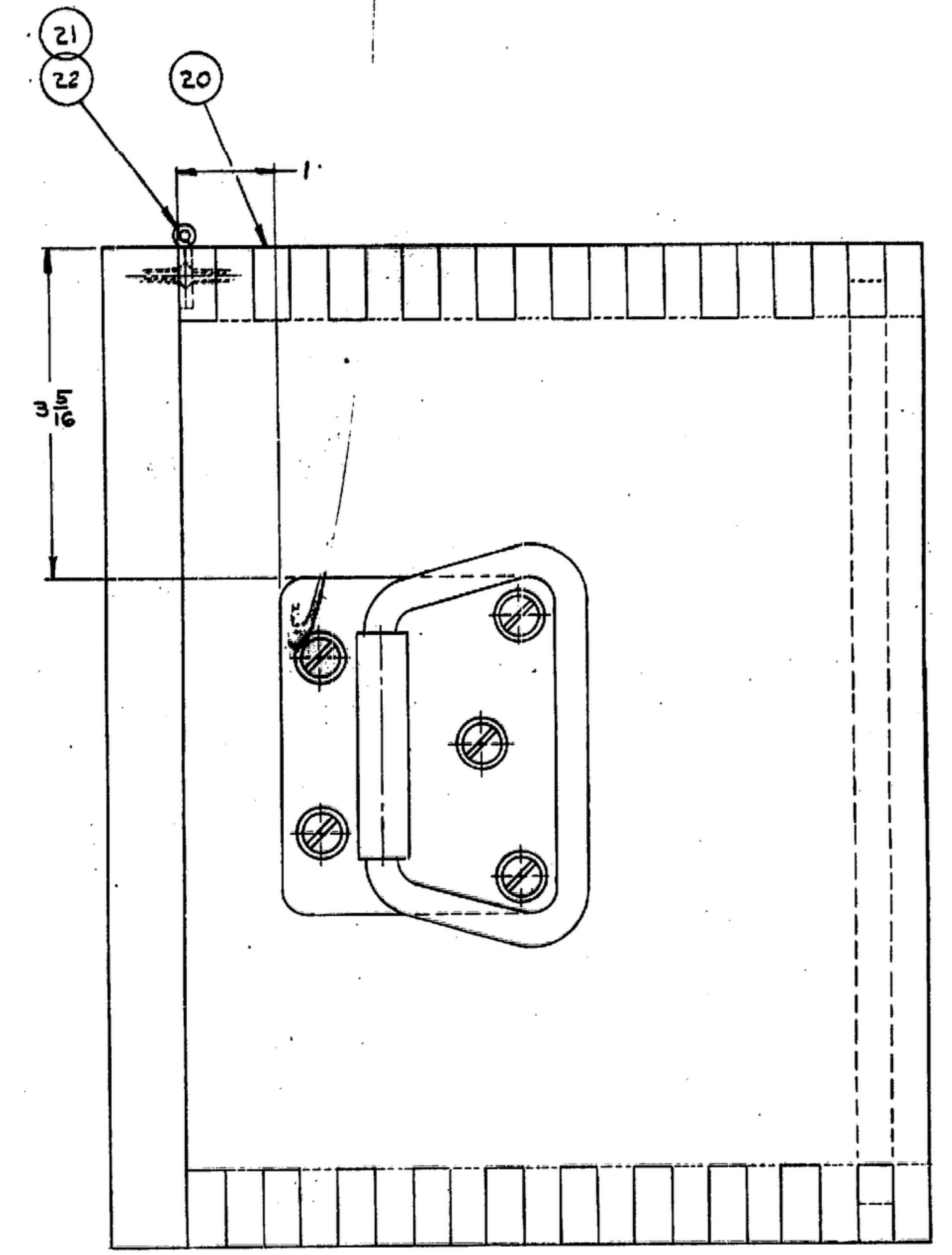
SYM	DESCRIPTION	DATE	APPROVAL
-----	-------------	------	----------

NOTE:  
\*FOR INFORMATION ONLY. CONTRACTOR MAY AT HIS OPTION DEVIATE FROM THESE PROCESS DETAILS

UNLESS OTHERWISE SPECIFIED, DIMENSIONS ARE IN INCHES AND DECIMALS ARE NOT FRACTIONS UNLESS OTHERWISE SPECIFIED. DIMENSIONS ARE TO BE TAKEN FROM THE UNFINISHED SURFACE UNLESS OTHERWISE SPECIFIED. DIMENSIONS ARE TO BE TAKEN FROM THE UNFINISHED SURFACE UNLESS OTHERWISE SPECIFIED. DIMENSIONS ARE TO BE TAKEN FROM THE UNFINISHED SURFACE UNLESS OTHERWISE SPECIFIED.



ENGRAVE:  
GAGE FOR R-390A/URR  
CAUTION - PRECISION INSTRUMENT  
REPLACE GAGE IN ASSIGNED  
POSITION IN CASE WHEN NOT  
IN ACTUAL USE.  
BOX 5 OF 13



PART NO.	DESCRIPTION	MATL	MATL SPEC
LIST OF MATERIAL			
UNLESS OTHERWISE SPECIFIED DIMENSIONS ARE IN INCHES TOLERANCES ON FRACTIONS DECIMALS ANGLES + 1/32		GOVERNMENT PROPERTY ORDER NO. 08715-PH-55-99 SIGNAL CORPS REVIEWED PMS APPROVED MCH-PME DATE 26-10-55 SCALE FULL	
NEXT ASSY USED ON APPLICATION		CASE, GAGE	
		DEPARTMENT OF THE ARMY SIGNAL CORPS ENGINEERING LABORATORIES FORT MONMOUTH NEW JERSEY SM-D-57315 SHEET 2 OF 2	