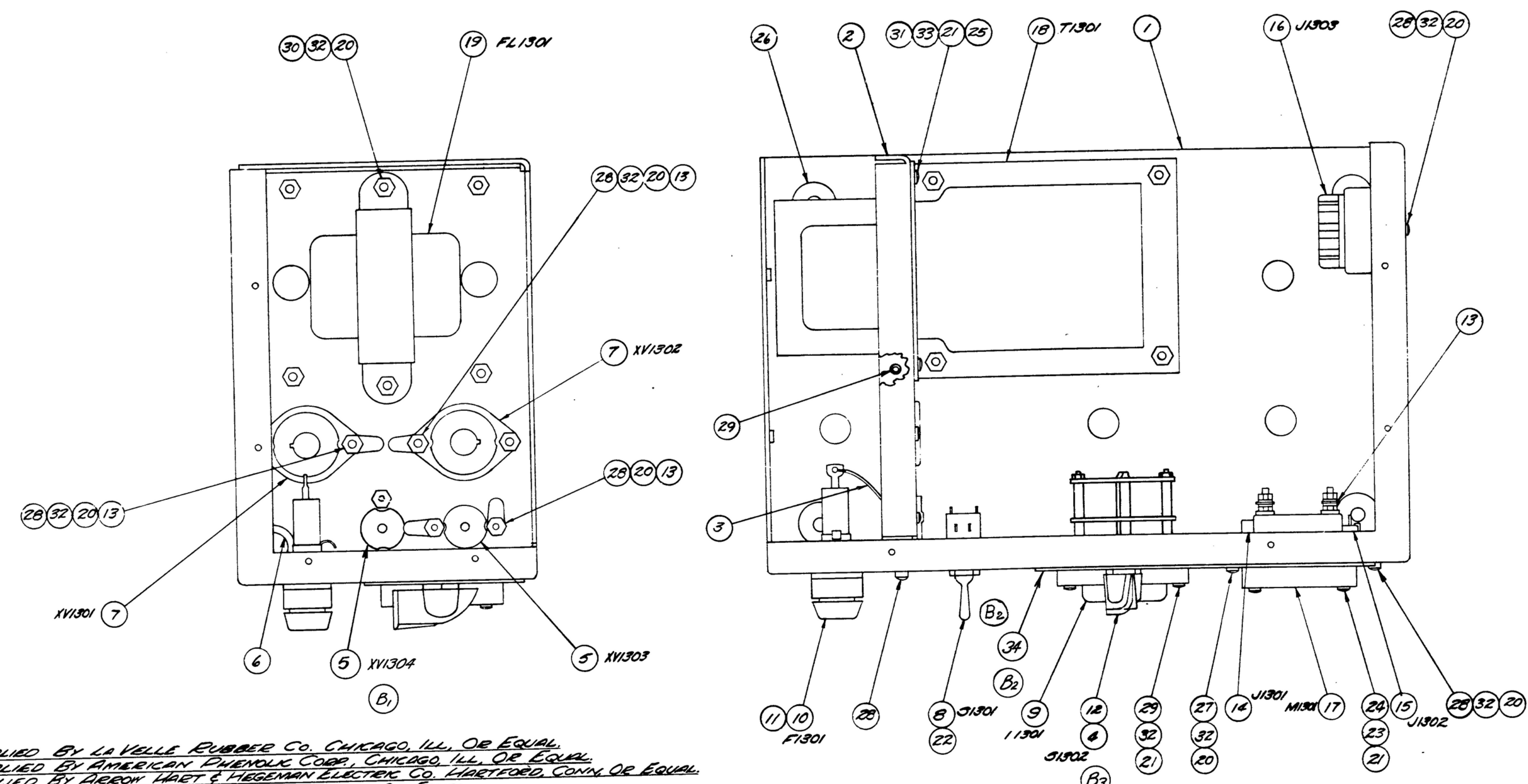


NOTICE: WHEN GOVERNMENT DRAWINGS, SPECIFICATIONS, OR OTHER DATA ARE USED FOR ANY PURPOSE OTHER THAN IN CONNECTION WITH A CONTRACT RELATING THERETO, THE USER ASSUMES ALL LIABILITY FOR ANY INADEQUACIES, OMISSIONS, OR ERRORS IN ANY SUCH DRAWINGS, SPECIFICATIONS, OR OTHER DATA. THE USER SHALL BE RESPONSIBLE FOR OBTAINING ALL NECESSARY PERMISSIONS FROM THE ORIGINAL SOURCE OF SUCH DATA. THE USER SHALL BE RESPONSIBLE FOR OBTAINING ALL NECESSARY PERMISSIONS FROM THE ORIGINAL SOURCE OF SUCH DATA.

THIS DOCUMENT HAS BEEN REPRODUCED BY THE NATIONAL ARCHIVES AT COLLEGE PARK, MARYLAND. FOR INFORMATION ONLY. CONTRACTOR MAY AT HIS OPTION DEVIATE FROM THESE PROCESS DETAILS.

FOR INFORMATION ONLY. CONTRACTOR MAY AT HIS OPTION DEVIATE FROM THESE PROCESS DETAILS.

ORIG. ISSUE A		REVISIONS		4 SEPT 56	
BY	DESCRIPTION	DATE	APPROVAL		
B5	(1) ADDED XV1304, (2) ADDED PLATE (3) CHANGED SWITCH FROM ONE DECK (4) ADDED ITEM 34, (5) ITEM 5 WAS 2 REQ'D.	22 MAY 64	REV'D.	G.E.B. FAR	



1. SUPPLIED BY LA VELLE RUBBER CO. CHICAGO, ILL. OR EQUAL.
2. SUPPLIED BY AMERICAN PHENOLIC CO. CHICAGO, ILL. OR EQUAL.
3. SUPPLIED BY AERONAUT & HIGGINS ELECTRIC CO. HARTFORD, CONN. OR EQUAL.
4. SUPPLIED BY DEAKE MFG. CO. CHICAGO, ILL. OR EQUAL.
5. SUPPLIED BY LITTLEFUSE INC. CHICAGO, ILL. OR EQUAL.
6. SUPPLIED BY BUDDMAN MFG. CO. ST. LOUIS, MO. OR EQUAL.
7. SUPPLIED BY KURT KASCH INC. DAYTON, OHIO, OR EQUAL.
8. SUPPLIED BY SHANKERPOOF INC. CHICAGO, ILL. OR EQUAL.
9. SUPPLIED BY HOWARD B. JONES CO. CHICAGO, ILL. OR EQUAL.
10. SUPPLIED BY HARVEY LUBBEL INC. BRIDGEPORT, CONN. OR EQUAL.
11. SUPPLIED BY WESTON ELECTRICAL INSTRUMENTS, NEWARK, N.J. OR EQUAL.
12. SUPPLIED BY CHICAGO STANDARD TRANSFORMER CO. CHICAGO, ILL. OR EQUAL.
13. SUPPLIED BY THORNTON ELECTRIC MFG. CO. MT. CARMEL, ILL. OR EQUAL.
14. SUPPLIED BY CENTRAL SCREW CO. CHICAGO, ILL. OR EQUAL.
15. BLACK, 1/8 I.D., 1/8 THK., 9/16 O.D. TO FIT 1/16 DIA HOLE, .85-.55 DUROMETER HARDNESS, SUPPLIED BY ATLANTIC INDIA RUBBER WORKS CHICAGO, ILL. OR EQUAL.
16. DOUBLE CHAMFERED FINISH: M312 PER SPEC MIL-F-18012.
17. PAN HEAD, CROSS RECESSED FINISH: E311 PER SPEC MIL-F-18012.
18. ALL THREADS PER HANDBOOK H-28.
19. SHALL BE .147 ID X .375 OD X .031 THICK.

QTY	REQD	PART NO.	DESCRIPTION	MATL	FINISHED SIZE	SH'T NO	NOTE
34	1	SM-B-400989	PLATE				
33	4	-71					
32	15	M335333-70	WASHER				
31	4	-24					
30	2	-15					
29	2	-13					
28	13	M335216-12					
27	5	M335200-12	SCREW				
26	4	-21	GEOMET	RUBBER		15	
25	4	-20	#6 FLAT	55T		1448	
24	4	-19	WASHER, #4 SPLITLOCK	BROWN	.0312 THK	8	
23	4	-18	SCREW, #4-40 NC-24		1/2 LONG	14417	
22	2	-17	15732-32 NS-2B		3/16 Max, 1/16 THK	14416	
21	4	-16	6-32 NC-2B		3/16 Max 3/32 THK	14416	
20	15	-15	NUT, #4-40 NC-2B	55T	1/8 Max 3/32 THK	14416	
19	1	-14	FILTER #T-50621			13	
18	1	-13	TRANSFORMER #11274			12	
17	1	-12	METER, TYPE 1011			11	
16	1	-11	#6808			10	
15	1	-10	#5-308-AB			9	
14	1	-9	CONNECTOR #5-302-AB			9	
13	4	-8	TERMINAL #202-08-00			8	
12	1	-7	KNOS #J-292-3L			7	
11	1	-6	FUSEHOLDER TYPE HRF			6	
10	1	-5	FUSE #312 002			5	
9	1	-4	PILOT LIGHT #201 001			4	
8	1	-3	SWITCH #20905-FR			3	
7	2	-2	SOCKET #86-87M			2	
6	1	SMD-31958	GEOMET #911			1	
5	2	75102.P03	SOCKET JAN 5-28				
4	1	SM-B-31964	SWITCH				
3	1	SMD-31963	WIRING ASSY				
2	1	SM-631962	CHASSIS ASSY				
1	1	SM-631960	CABINET ASSY				

UNLESS OTHERWISE SPECIFIED DIMENSIONS ARE IN INCHES TOLERANCES ON FRACTIONS DECIMALS ANGLES		COLLINS REAR CO. CEGAR BLDG 44 28719-PH-55-53		MECHANICAL ASSY		DEPARTMENT OF THE ARMY SIGNAL CORPS ENGINEERING LABORATORIES	
SIGNAL CORPS		REVIEWED XXX		FOR POWER SUPPLY FOR INTERCHANGEABILITY GAGE FOR R-390A/URR & R-392/URR		FORT MONMOUTH NEW JERSEY	
APPROVED		DATE 6 SEPT 56		SCALE 1/1		SM-D-31959	
APPLICATION							