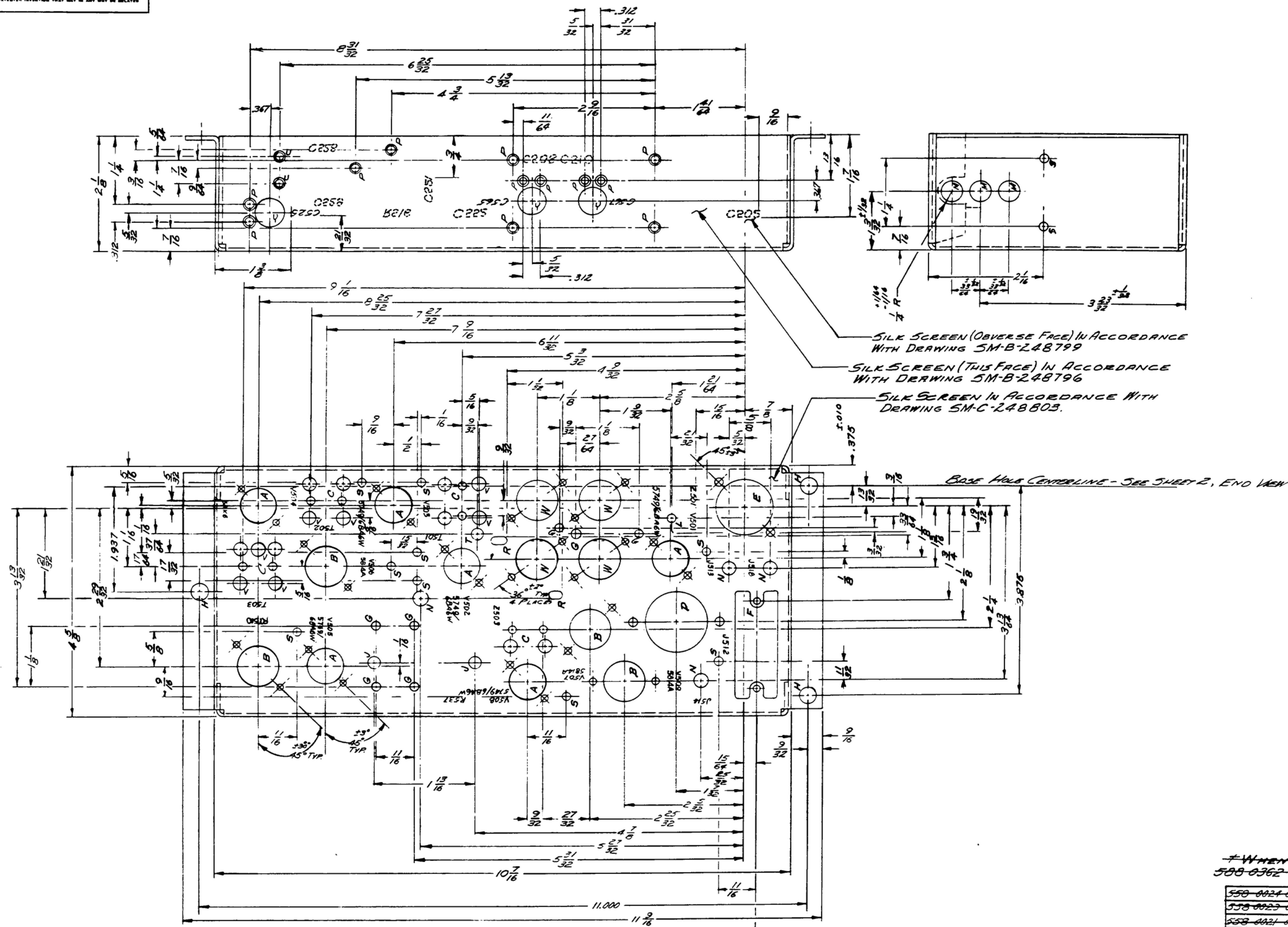


NOTICE: WHEN GOVERNMENT DRAWINGS, SPECIFICATIONS, OR OTHER DATA ARE USED FOR ANY PURPOSE OTHER THAN IN CONNECTION WITH A SPECIFICALLY RELATED OPERATION, THE USER ASSUMES ALL LIABILITY FOR ANY AND ALL OPERATIONAL MATTERS AND THE FACT THAT THE GOVERNMENT HAS PROVIDED THESE DRAWINGS, SPECIFICATIONS, OR OTHER DATA IN NO WAY SHALL BE CONSIDERED AN ENDORSEMENT OR ASSUMPTION OF LIABILITY ON THE PART OF THE GOVERNMENT FOR ANY OPERATIONAL MATTERS OR FOR ANY AND ALL OPERATIONAL MATTERS.

THIS DOCUMENT HAS BEEN PREPARED BY THE GOVERNMENT AND MAY BE REPRODUCED AND TRANSMITTED IN ANY FORM AND BY ANY MEANS, ELECTRONIC OR MECHANICAL, INCLUDING PHOTOCOPYING, RECORDING, OR BY ANY INFORMATION STORAGE AND RETRIEVAL SYSTEM, WITHOUT PERMISSION IN WRITING FROM THE GOVERNMENT.

* FOR INFORMATION ONLY. CONTRACTOR MAY AT HIS OPTION DEVIATE FROM THESE PROCESS DETAILS.

REVISIONS			
SYM	DESCRIPTION	DATE	APPROVAL



MAT'L: ALUMINUM ALLOY, 52S, TEMPER H32, PER SPEC QQ-A-318, 064 THICK.
 FINISH: E513 PER SPEC. MIL-F-14072.
 * COLLINS 580-0096-00

- NOTES:
1. WELDING SYMBOL SHOWN IN ACCORDANCE WITH JAN. STD. 19.
 2. WELDING SHALL BE IN ACCORDANCE WITH SPEC MIL-W-6860.
 3. SILK SCREENING TO BE BLACK LOCATED AS SHOWN. MARKINGS SHALL MEET TEST REQUIREMENTS OF SPEC. MIL-M-13231.
 - * 4. SILK SCREENING IN ACCORDANCE WITH COLLINS SPEC. 580 0096 00 USING TOOLS MADE FROM DRAWING 558 0024 003, 558 0023 003, 558 0021 003, 558 0020 002, 580 0019 002.
 5. ALL RELIEF & BEND RADII 1/8 MAX.

* WHEN PART NUMBER APPEARS AS 580-0362-9-5 MILITARY SOURCE INSPECTION IS REQUIRED.

COLLINS PART NO.	QTY	DESCRIPTION	DATE	APPROVAL
558-0024-003	5	SM-C-249003		
558-0023-003	4	SM-C-249002		
558-0021-002	3	SM-B-248799		
558-0020-002	2	SM-B-248797		
558-0019-002	1	SM-B-248796 SILK SCREENING GAUGES		

CONTINUED ON SHEET 2 - BOTTOM VIEW (REF)

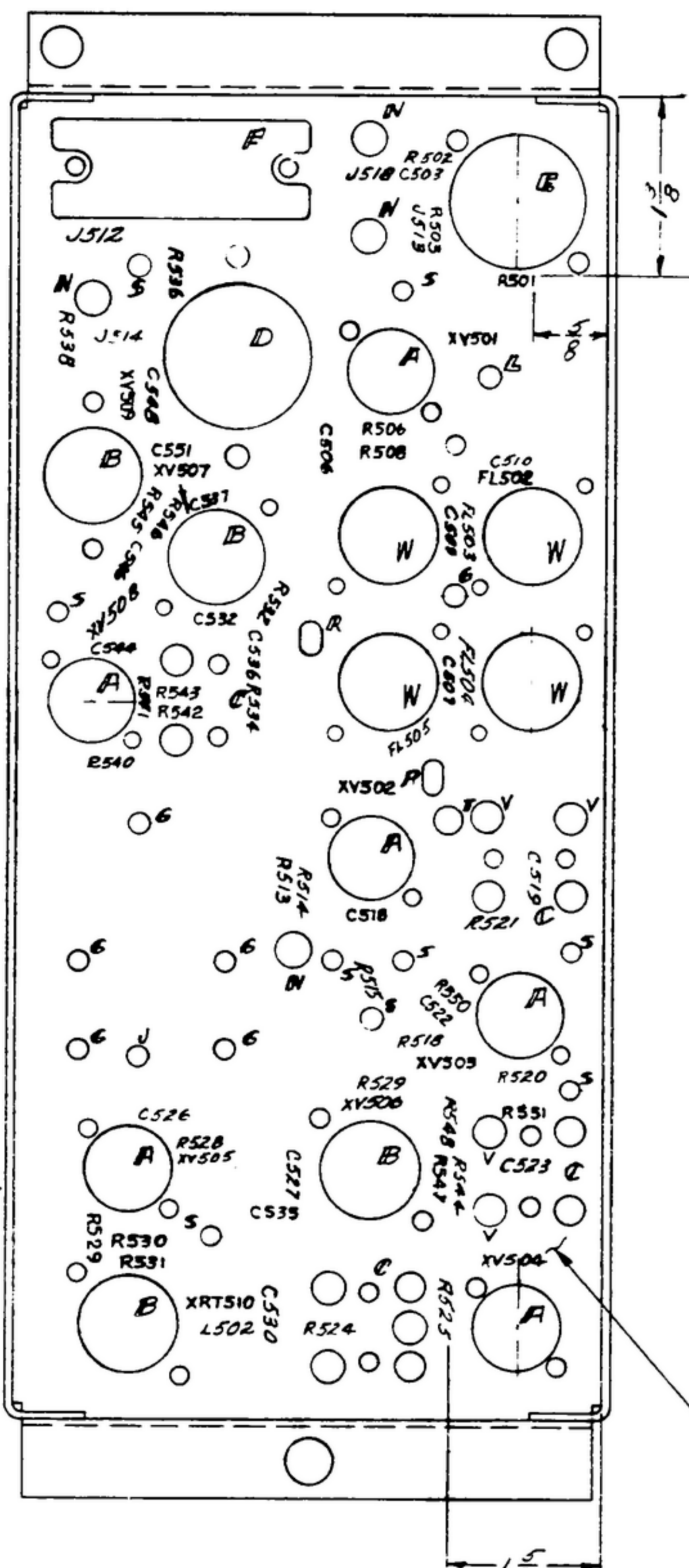
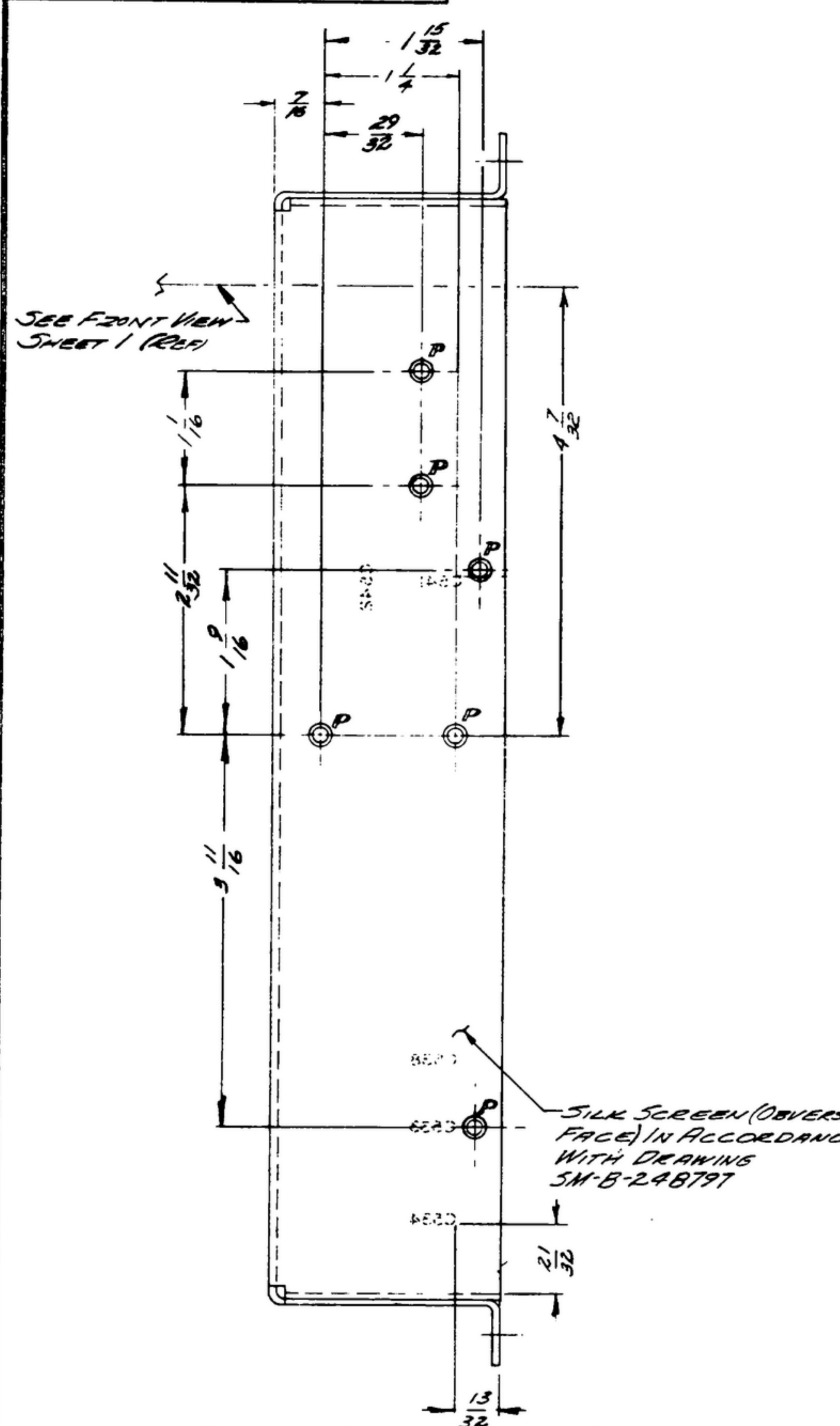
DRAWN R.C.HILL CHECKED R.H. APPROVED [Signature]	UNLESS OTHERWISE SPECIFIED: DECIMAL DIMENSIONS INCLUDING HOLE SIZES MAY VARY ±.005 FRACTIONAL DIMENSIONS INCLUDING HOLE SIZES MAY VARY ±1/64 SHAVED ANGLES MAY VARY ±1° BROKEN ANGLES MAY VARY ±.25° SCREWED ANGLES MAY VARY ±1° ALL DIMENSIONS ARE FINISH DIMENSIONS INCLUDING APPLIED FINISH AND ARE GIVEN IN INCHES.	LIST OF MATERIAL COLLINS PART NO. 558-0362-9-5 CHASSIS - I.F. DEPARTMENT OF THE ARMY SIGNAL CORPS ENGINEERING LABORATORIES FORT MONMOUTH NEW JERSEY SM-D-249013 SHEET 1 OF 2 SHEETS
---	---	---

NOTICE: WHEN GOVERNMENT SPECIFICATIONS, OR OTHER DATA AND WHEN FOR ANY PURPOSES ARE USED IN CONNECTION WITH A SPECIFICALLY RELATED ORDER...

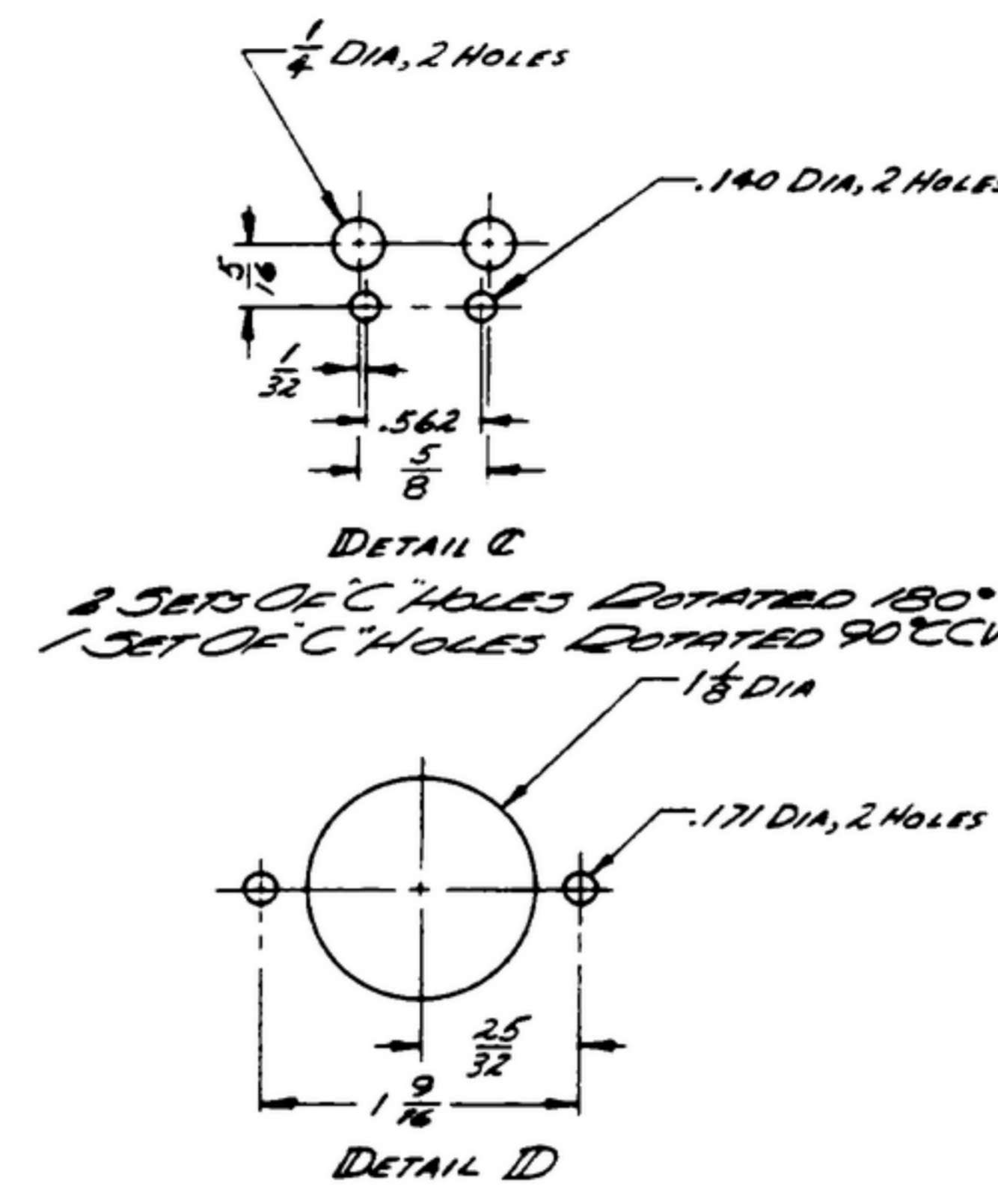
THIS DRAWING HAS BEEN PREPARED BY THE U.S. SIGNAL CORPS ENGINEERING LABORATORIES AND IS NOT TO BE REPRODUCED OR COPIED IN ANY MANNER WITHOUT THE WRITTEN PERMISSION OF THE U.S. SIGNAL CORPS ENGINEERING LABORATORIES.

FOR INFORMATION ONLY. CONTRACTOR MAY AT HIS OPTION DEVIATE FROM THESE PROCESS DETAILS.

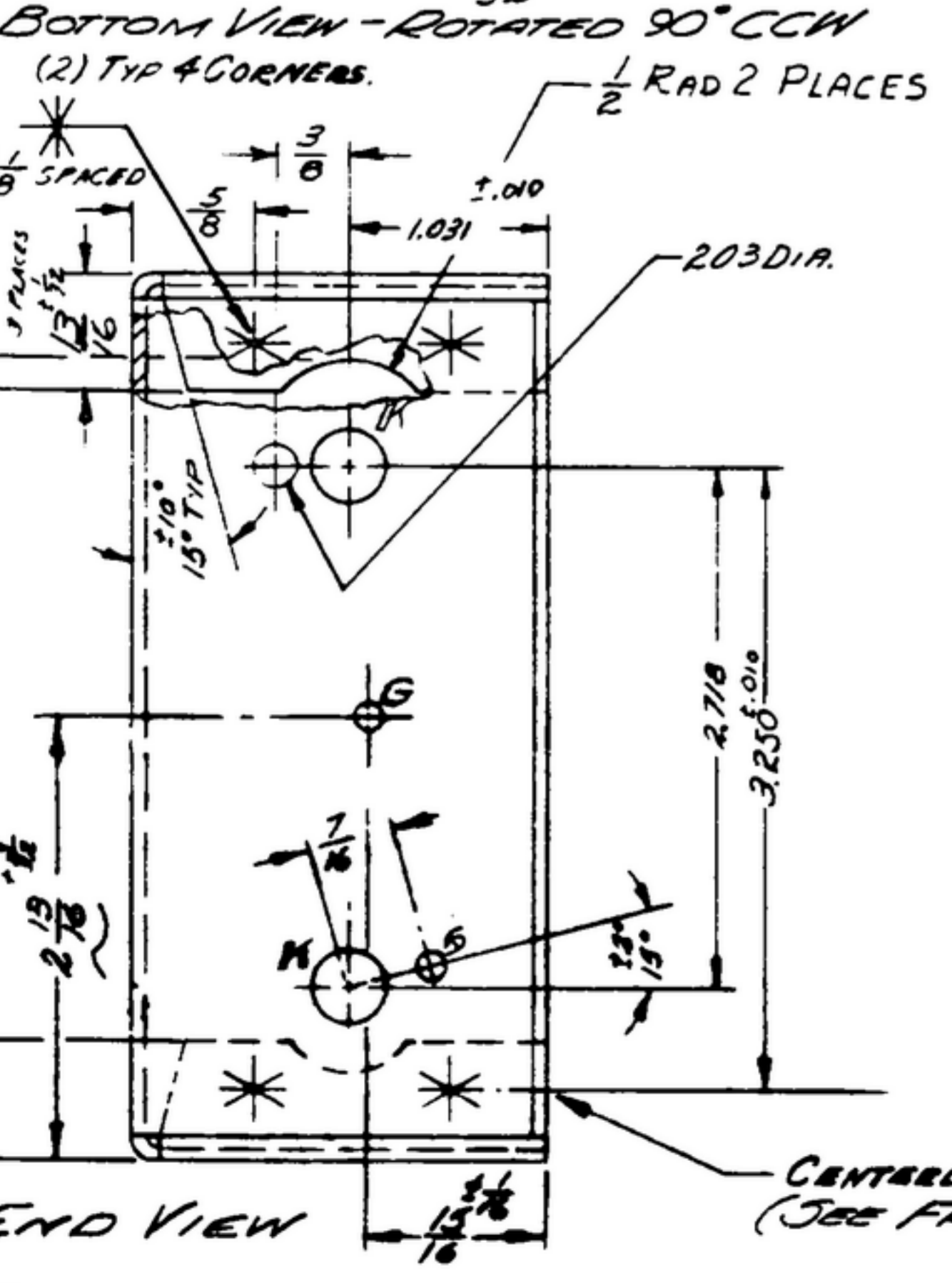
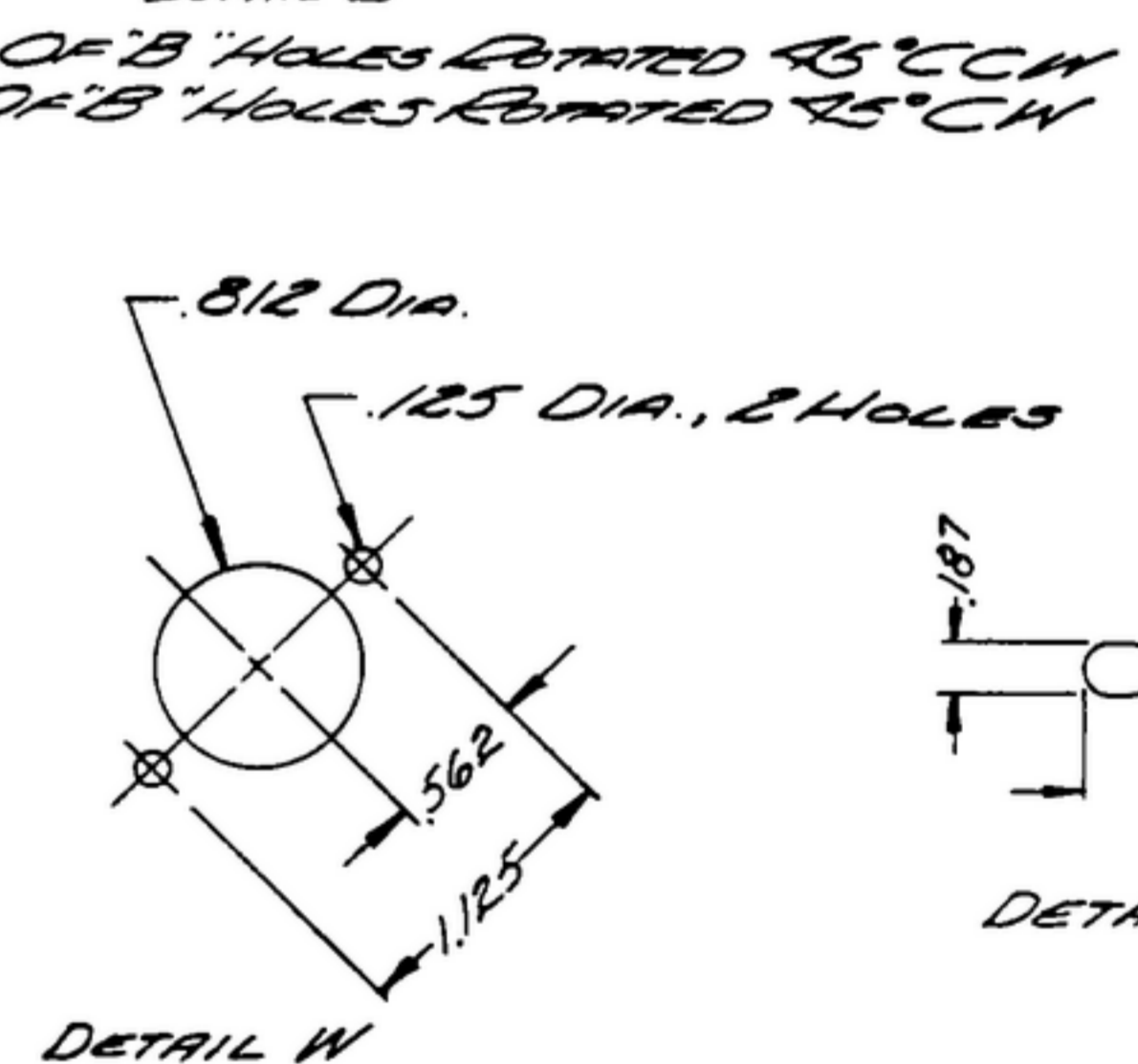
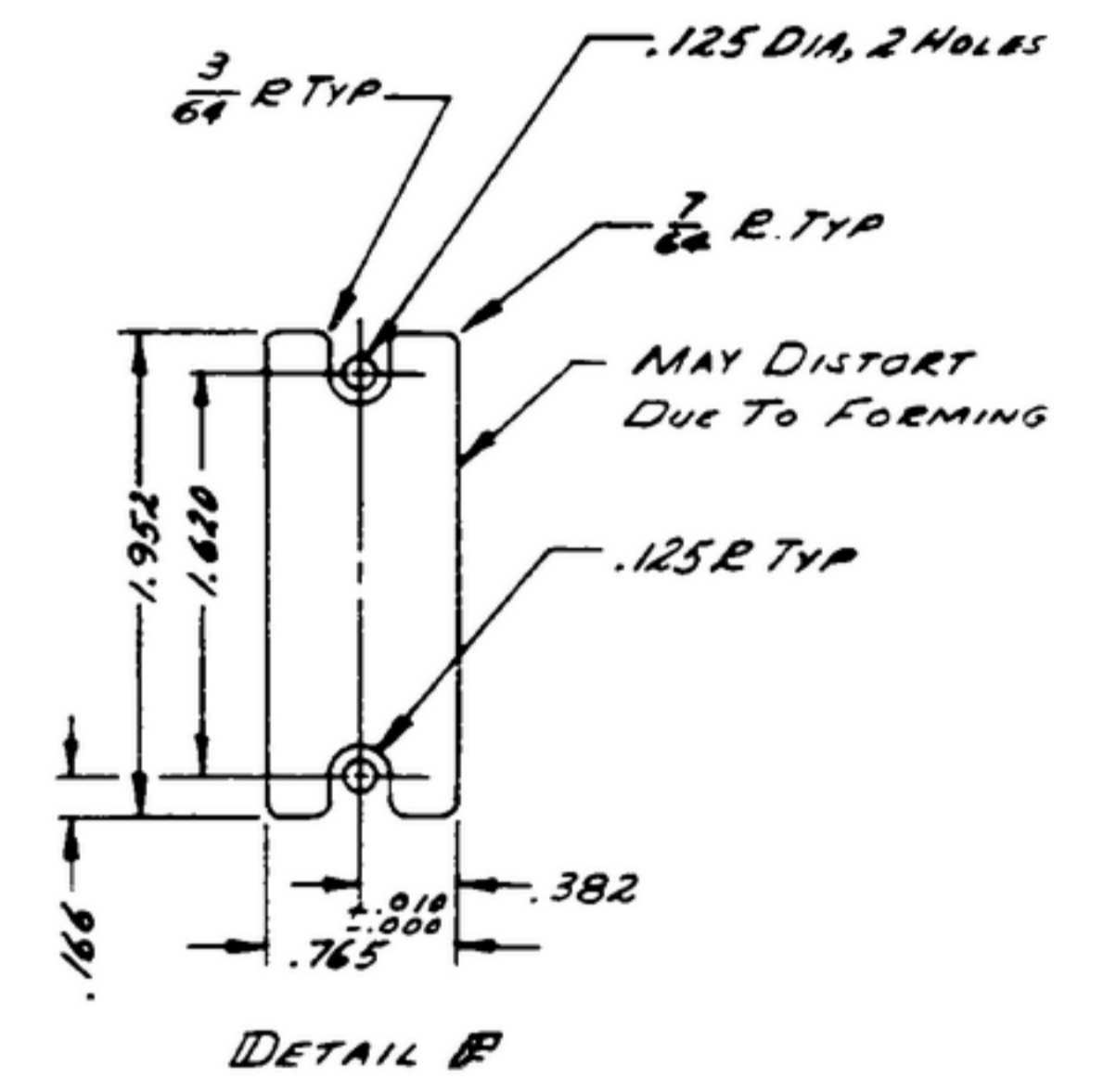
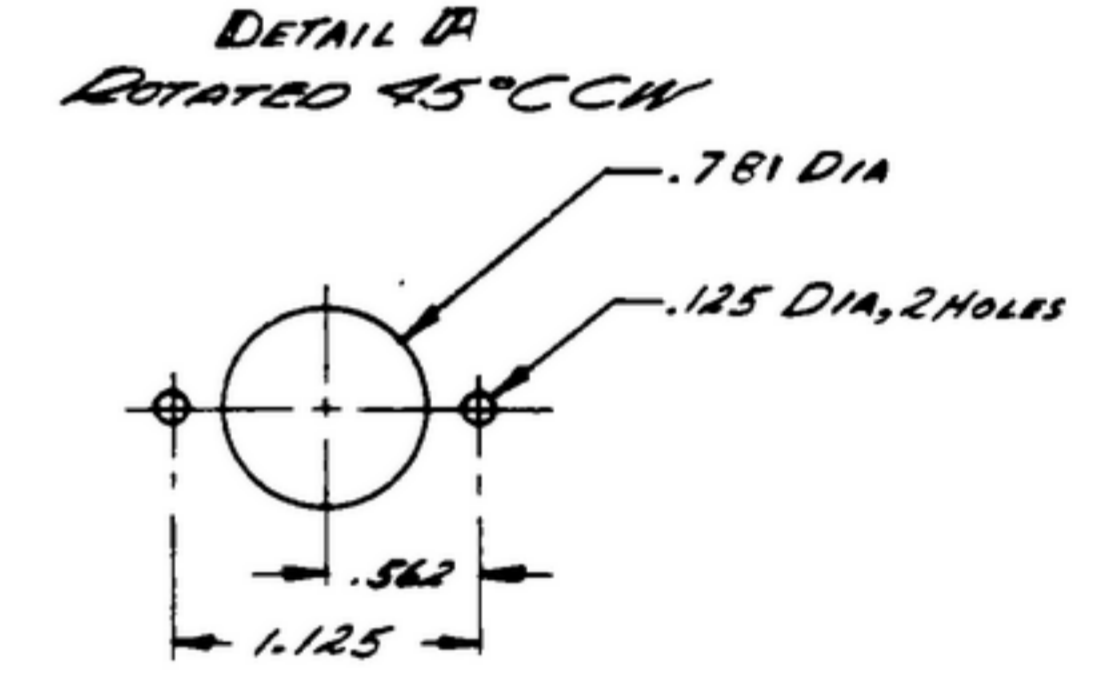
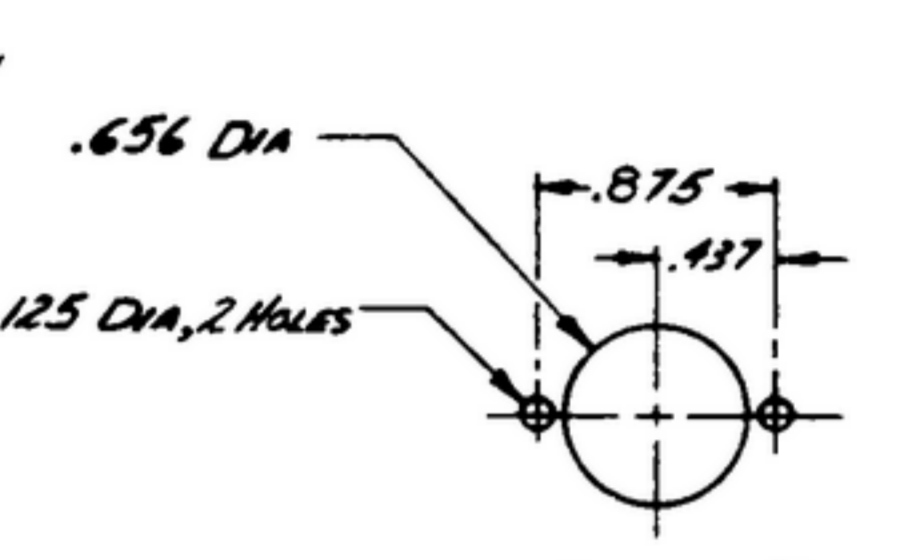
REVISIONS table with columns: SYM, DESCRIPTION, DATE, APPROVAL



SILK SCREEN IN ACCORDANCE WITH DRAWING SM-C-248802



HOLE DATA table with columns: HOLE DESCRIPTION, REGR, and list of hole locations (A through Y) with their descriptions and counts.



CENTERLINE OF BASE HOLE (REF.) (SEE FRONT VIEW-SHEET 1)

LIST OF MATERIAL and application table containing drawing, checked, and approved signatures, along with material specifications and dates.