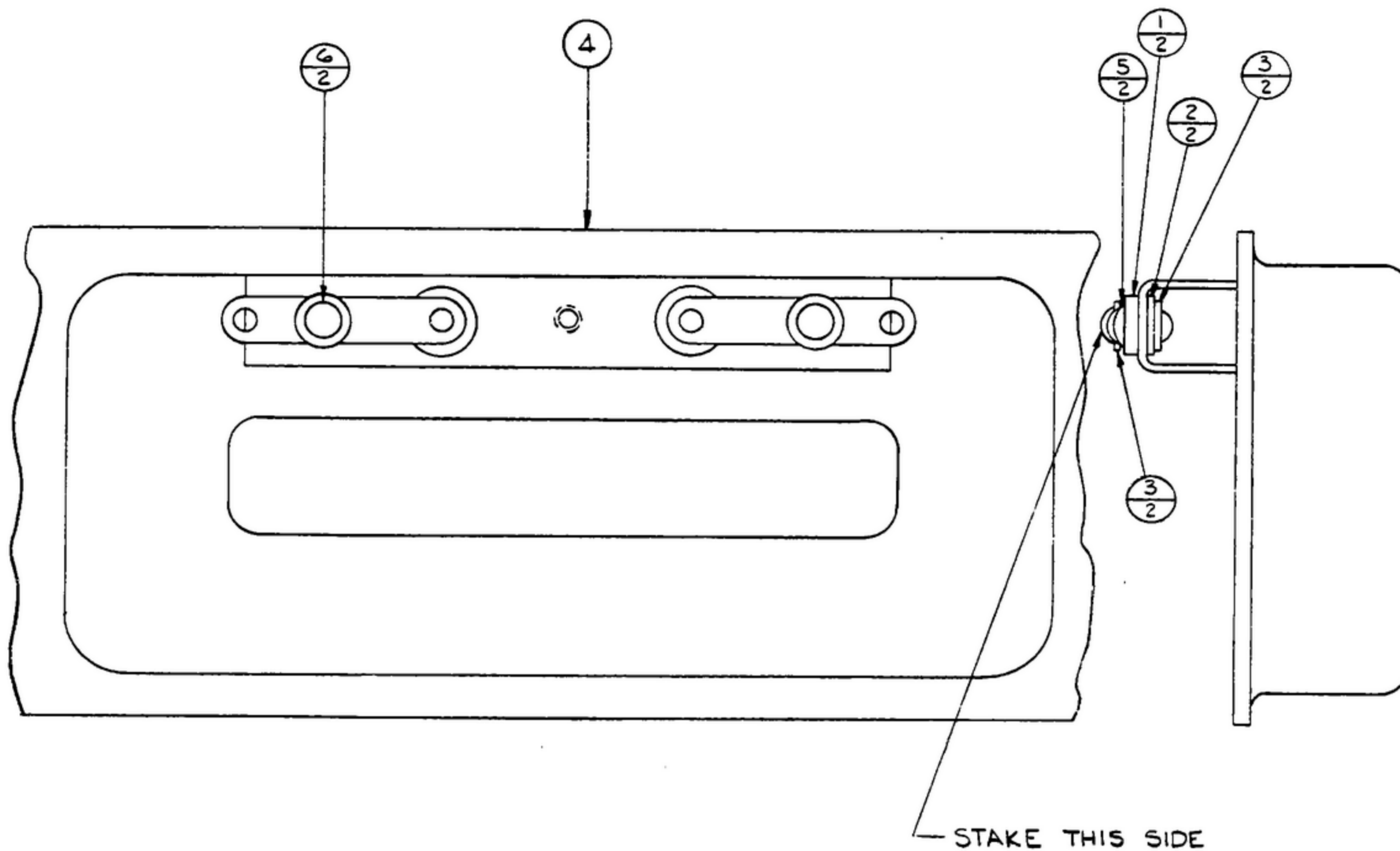


NOTED: THESE GOVERNMENT DRAWINGS, SPECIFICATIONS, OR OTHER DATA ARE MADE FOR ANY PURPOSE OTHER THAN IN CONNECTION WITH A SPECIFICALLY RELATED GOVERNMENT PROCUREMENT OPERATION. THE UNITED STATES GOVERNMENT THEREBY INCURS NO RESPONSIBILITY AND ANY WARRANTY WHATSOEVER, AND THE FACT THAT THE GOVERNMENT MAY HAVE REGULATED, PERMITTED, OR IN ANY WAY SUPERVISED THE SAID DRAWINGS, SPECIFICATIONS, OR OTHER DATA IS NOT TO BE CONSTRUED AS IMPLICATION OF APPROVAL AS TO ANY TRADE OR MANUFACTURING PROCESS OR ANY OTHER FORM OF COMPLIANCE, OR CONSTRUCTION ANY RIGHTS OR PRIVILEGES TO MANUFACTURE, USE, OR SELL ANY PATENTED INVENTION THAT MAY IN ANY WAY BE RELATED THEREON.

"THIS DOCUMENT HAS BEEN PREPARED BY THE GOVERNMENT AND MAY BE REPRODUCED AND USED IN CONNECTION WITH ANY GOVERNMENT PROCUREMENT OR TRAINING OPERATION."

NOTE: *FOR INFORMATION ONLY. CONTRACTOR MAY AT HIS OPTION DEVIATE FROM THESE PROCESS DETAILS

REVISIONS			
SYM	DESCRIPTION	DATE	APPROVAL



NOTES:

1. IN ALL SPLIT BALOONS TOP FIGURE IS MATERIAL LIST ITEM INDICATOR & BOTTOM FIGURE IS QUANTITY.

ITEM	REQD	PART NO.	DESCRIPTION	MATL	MATL SPEC	NOTES
6	2	SM-B-283266-3	RIVET-TUBULAR			
5	2	SM-B-283264	CONTACT-LAMP			
4	1	SM-B-343604	HOUSING ASSEMBLY			
3	4	SM-B-170789	WASHER			
2	2	SM-B-170788	WASHER			
1	2	SM-B-170787	WASHER			

LIST OF MATERIAL

UNLESS OTHERWISE SPECIFIED		STEWART WARNER ELECTRONICS ORDER NO. 42428-PC-59-A1-59		DEPARTMENT OF THE ARMY SIGNAL CORPS ENGINEERING LABORATORIES FORT MONMOUTH NEW JERSEY
DIMENSIONS ARE IN INCHES		SIGNAL CORPS		
TOLERANCES ON FRACTIONS DECIMALS ANGLES		REVIEWED PME		
— — —		APPROVED PME		
SM-C-343607	SC-DL-248775	Drawn By: J. S. LOCONTE	DATE 7 OCT 59	HOUSING ASSEMBLY
NEXT ASSY	USED ON	Checked By: <i>E. J. ...</i>	SCALE 2/1	
APPLICATION		Chief Drafts: <i>C. ...</i>		
		Eng. Approval: <i>[Signature]</i>		SM-C-343606