

COL. 540 7882 003

EQUIP. TYPE R390A1URR EXP. NO.

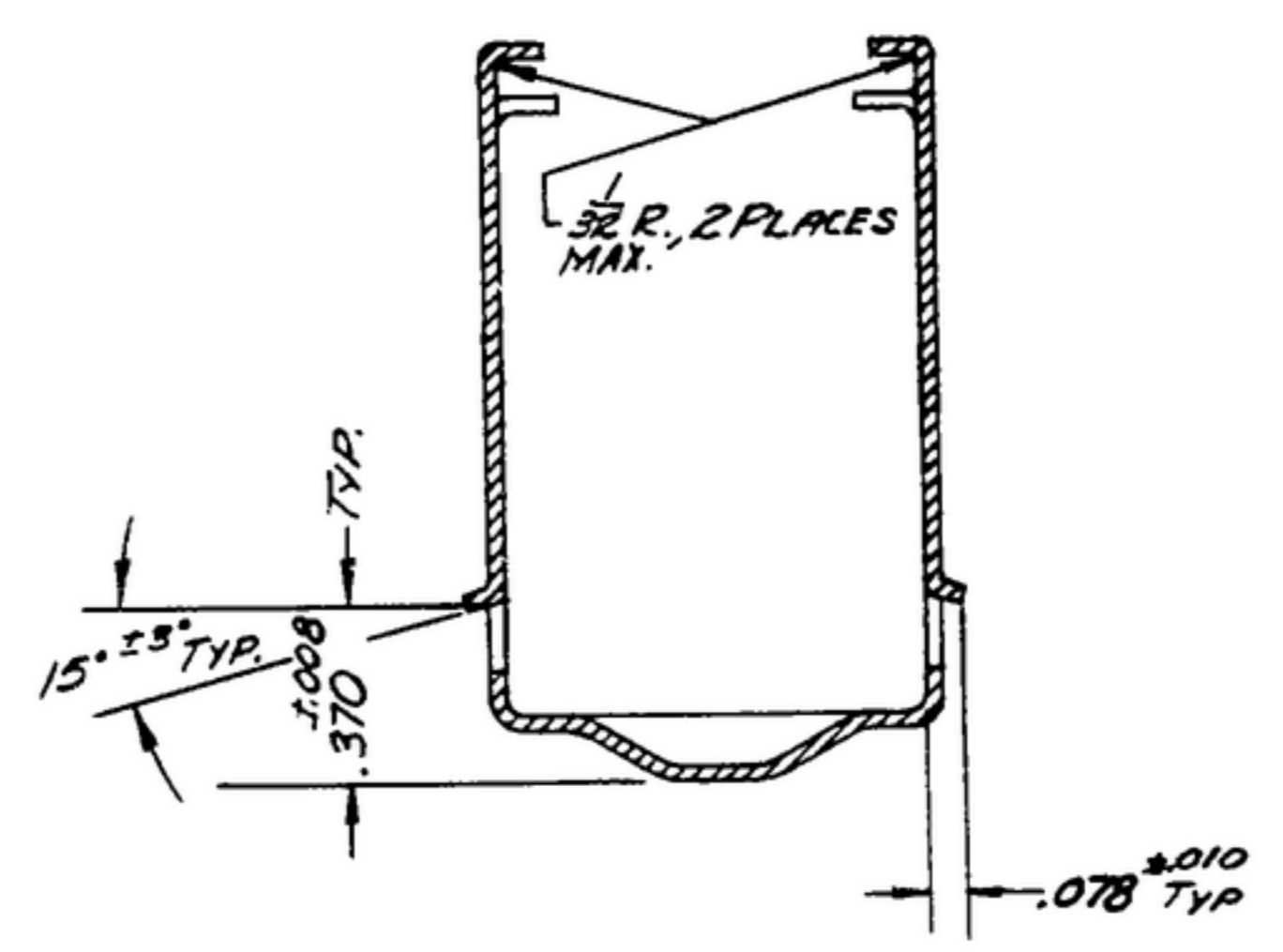
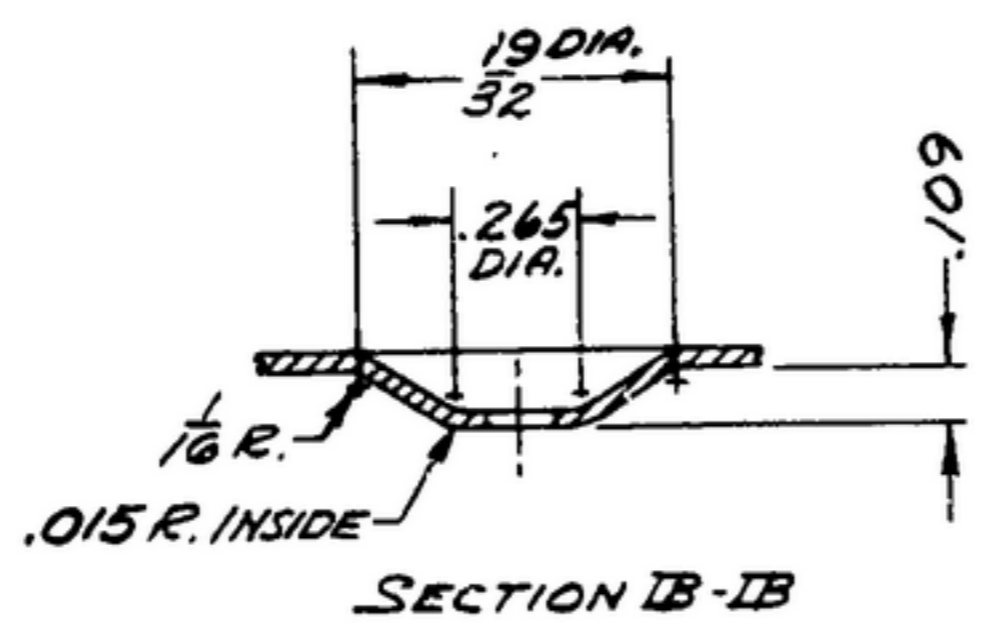
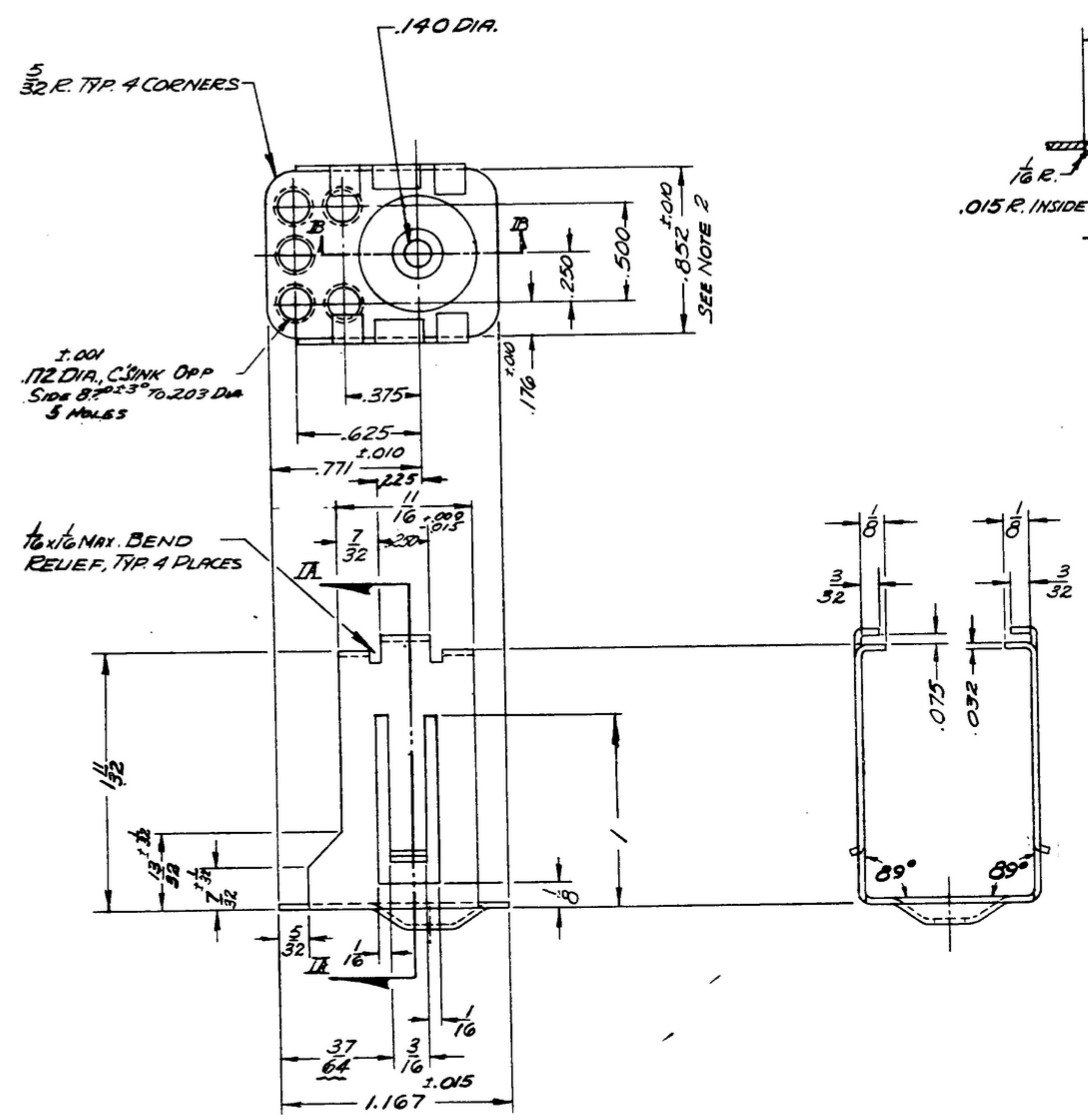
NOTICE: WHEN GOVERNMENT DRAWINGS, SPECIFICATIONS, OR OTHER DATA ARE USED FOR ANY PURPOSE OTHER THAN IN CONNECTION WITH A DEFINITELY RELATED GOVERNMENT PROCUREMENT OPERATION, THE UNITED STATES GOVERNMENT THEREBY INCURS NO RESPONSIBILITY FOR ANY DELAMINATION WHATSOEVER, AND THE FACT THAT THE GOVERNMENT MAY HAVE PROMULGATED, FURNISHED, OR IN ANY WAY SUPPLIED THE SAID DRAWINGS, SPECIFICATIONS, OR OTHER DATA IS NOT TO BE REGARDED BY IMPLICATION OR OTHERWISE AS IN ANY MANNER LICENSING THE HOLDER OR ANY OTHER PERSON OR CORPORATION, OR CONFERRING ANY RIGHTS OR PERMISSION TO REPRODUCE, USE, OR SELL ANY PATENTED INVENTION THAT MAY IN ANY WAY BE RELATED THEREBY.

THIS DOCUMENT HAS BEEN PURCHASED BY THE GOVERNMENT AND MAY BE REPRODUCED AND USED IN CONNECTION WITH ANY GOVERNMENT PROCUREMENT OR MAINTENANCE OPERATION.

*FOR INFORMATION ONLY. CONTRACTOR MAY AT HIS OPTION DEVIATE FROM THESE PROCESS DETAILS.

#SWE APPROVAL
SYM PR10042-12

REVISIONS			
SYM	DESCRIPTION	DATE	APPROVAL
A ₁	A ₁ - FINISH: M262 WAS M225	17 NOV 59	42428-PC-59-AJ-51 REV'D. PME



BRASS, COMP 1, TEMPER YR H, PER SPEC QQ-B-613, .032 THICK.
 (A₁) FINISH: M262 PER SPEC MIL-F-14072.
 *COLLINS 589-0050-00

- NOTES:
- 1.1/32 RADII ON ALL SQUARE CORNERS (OPTIONAL).
 - .852 ±.010 DIMENSION APPLIES TO BOTTOM OF FRAME ONLY.
 - INSIDE BEND RADII 3/64 MAX UNLESS OTHERWISE SPECIFIED.

COLLINS NO.	QTY	NEXT ASSY	USED ON
589-0413-002	1	SM-B-249061	
589-0413-002	1	SM-B-249062 SC-248775	

DRAWN	CHECKED	APPROVED
HENRY	Ben	

UNLESS OTHERWISE SPECIFIED:
 DECIMAL DIMENSIONS INCLUDING HOLE SIZES MAY VARY ±.005
 FRACTIONAL DIMENSIONS INCLUDING HOLE SIZES MAY VARY ±1/64
 MACHINED ANGLES MAY VARY ±.1°
 SHEARED ANGLES MAY VARY ±.25°
 BROKEN ANGLES MAY VARY ±.1°
 ECCENTRICITY BETWEEN ANY DIAMETERS ON THE SAME CENTERLINE SHALL NOT EXCEED .010 TOTAL INDICATOR READING.
 ALL DIMENSIONS ARE FINISH DIMENSIONS INCLUDING APPLIED FINISH AND ARE GIVEN IN INCHES.

COLLINS PART NO.	ITEM	QTY	PART NO.	DESCRIPTION	MATL.	UNIT QTY
LIST OF MATERIAL						
-COLLINS PART NO. 589-0413-003						
COLLINS RADIO CO. CORP. RADIO DIV. 14214 - PH 51-93			FRAME-COIL DEPARTMENT OF THE ARMY SIGNAL CORPS ENGINEERING LABORATORIES FORT MONMOUTH NEW JERSEY SM-C-249076			
SIGNAL CORPS						
REVIEWED PME						
APPROVED HLY PME						
DATE 30 DEC 55			SCALE 2/1			