

COL. 540-7612-002

EQUIP. TYPE R390A/URK - EXP. NO.

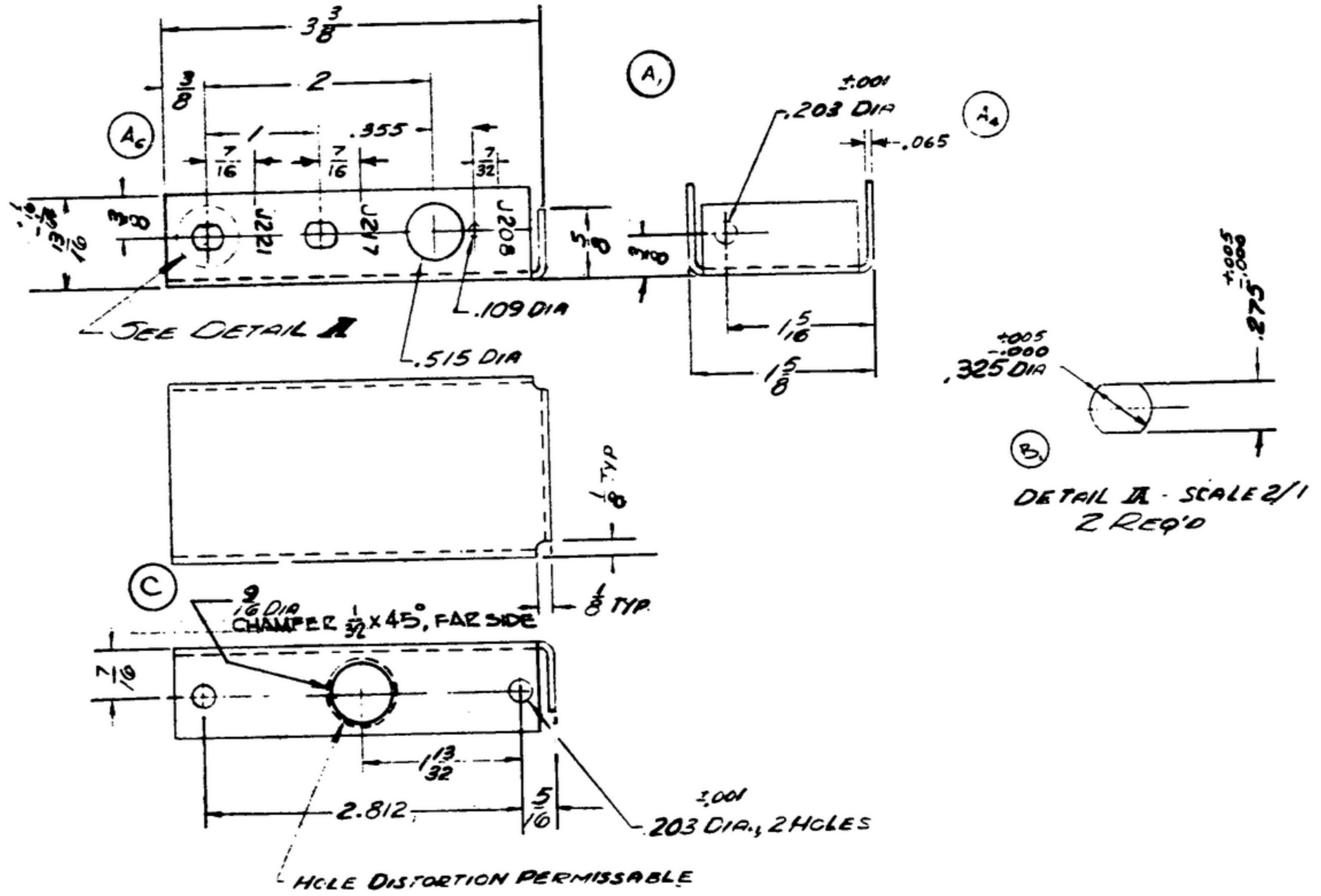
NOTES: WHEN GOVERNMENT SPECIFICATIONS OR OTHER DATA ARE USED FOR ANY PORTION OF THIS DRAWING, THE UNITED STATES GOVERNMENT SHALL NOT BE RESPONSIBLE FOR ANY DEFECTS OR OMISSIONS. THE CONTRACTOR SHALL BE RESPONSIBLE FOR THE CORRECTNESS OF ALL DIMENSIONS AND TOLERANCES. THE CONTRACTOR SHALL BE RESPONSIBLE FOR THE CORRECTNESS OF ALL DIMENSIONS AND TOLERANCES. THE CONTRACTOR SHALL BE RESPONSIBLE FOR THE CORRECTNESS OF ALL DIMENSIONS AND TOLERANCES.

THIS DOCUMENT IS THE PROPERTY OF THE GOVERNMENT AND IS TO BE RETURNED TO THE GOVERNMENT WITH ALL APPROPRIATE DOCUMENTS AND RECORDS. IT IS TO BE KEPT IN THE ORIGINAL FORM AND NOT REPRODUCED OR TRANSMITTED IN ANY FORM OR BY ANY MEANS, ELECTRONIC OR MECHANICAL, INCLUDING PHOTOCOPYING, RECORDING, OR BY ANY INFORMATION STORAGE AND RETRIEVAL SYSTEM.

FOR INFORMATION ONLY. CONTRACTOR MAY AT HIS OPTION DEVIATE FROM THESE PROCESS DETAILS.

R SWE APPROVAL
SYM R100R2

REVISIONS				
SYM	DESCRIPTION	DATE	APPROVAL	
A ₁	REMOVED SILK SCREEN NOTATION A ₁ - REMOVED COLLINS PROCESS METHOD A ₂ - NOTE 2 WAS "SILK SCREENING TO BE BLACK LOCATED AS SHOWN. MARKING SHALL MEET TEST REQUIREMENTS I.F. MIL-M-13231" A ₃ - ADDED THE DIM TO VIEW A ₄ - SC52 WAS 525 A ₅ - DIMENSIONALLY LOCATE ALL MARKINGS. A ₇ - DELETED ITEM 1 (SM-B-248806)	27 OCT 55	42428-PC-59 AI-51	REV'D
B	B. REVISED DETAIL 'A'. .275 ±.005 WAS .225 ±.005, .325 ±.005 WAS .265 ±.005. DELETED .112 DIMENSION	6 MAY 66	6-00189	REV'D
C	C ADDED CHAMFER NOTE REVISED PICTORIAL	25 MAY 66	6-00189	REV'D EC-2



ALUMINUM ALLOY, 5052 TEMPER H32, PER SPEC QQ-A-318
FINISH E513 PER SPEC MIL-F-14072
* COLLINS 580-0036-00

EAC NO. 1500-0269

NOTES
1. ALL INSIDE BEND & RELIEF RADII, 5/64 MIN
2. MARKINGS TO BE LOCATED AS SHOWN. ALL CHARACTERS TO BE 3/32 HIGH GOTHIC TYPE PER SPEC MIL-M-13231 GROUP II. COLOR TO BE BLACK, COLOR CHIP #27038 PER FED STD 595. MARKINGS TO BE CENTRALLY LOCATED ±1/32 UNLESS OTHERWISE SHOWN. COVER DESIGNATION WITH 1 COAT OF VARNISH PER MIL-V-173, TYPE II

SYMBOL	ITEM	QTY	PART NO	DESCRIPTION	MATL	MATL SPEC
LIST OF MATERIAL						
COLLINS PART NO. 540-0399-002						

DRAWN ECS	CHECKED [Signature]	APPROVED	COLLINS RADIO CO. 4214-PH-51-93	BRACKET-PLUG	DEPARTMENT OF THE ARMY SIGNAL CORPS ENGINEERING LABORATORIES FORT MONMOUTH NEW JERSEY SM-C 249048
UNLESS OTHERWISE SPECIFIED DECIMAL DIMENSIONS INCLUDING HOLE SIZES MAY VARY ±.005 FRACTIONAL DIMENSIONS INCLUDING HOLE SIZES MAY VARY ±.004 MACHINED ANGLES MAY VARY ±.1° SHEARED ANGLES MAY VARY ±.25° BROKEN ANGLES MAY VARY ±.1° ECCENTRICITY BETWEEN ANY DIAMETERS ON THE SAME CENTERLINE SHALL NOT EXCEED ONE TOTAL INDICATOR READING ALL DIMENSIONS ARE FINISH DIMENSIONS INCLUDING APPLIED FINISH AND ARE GIVEN IN INCHES			SIGNAL CORPS		
580-044002 - SM B-249063 SC-DL-248775			REVIEWED PME		
APPLICATION			APPROVED HLY PME		
DATE 19 DEC 55	SCALE 1/1				