

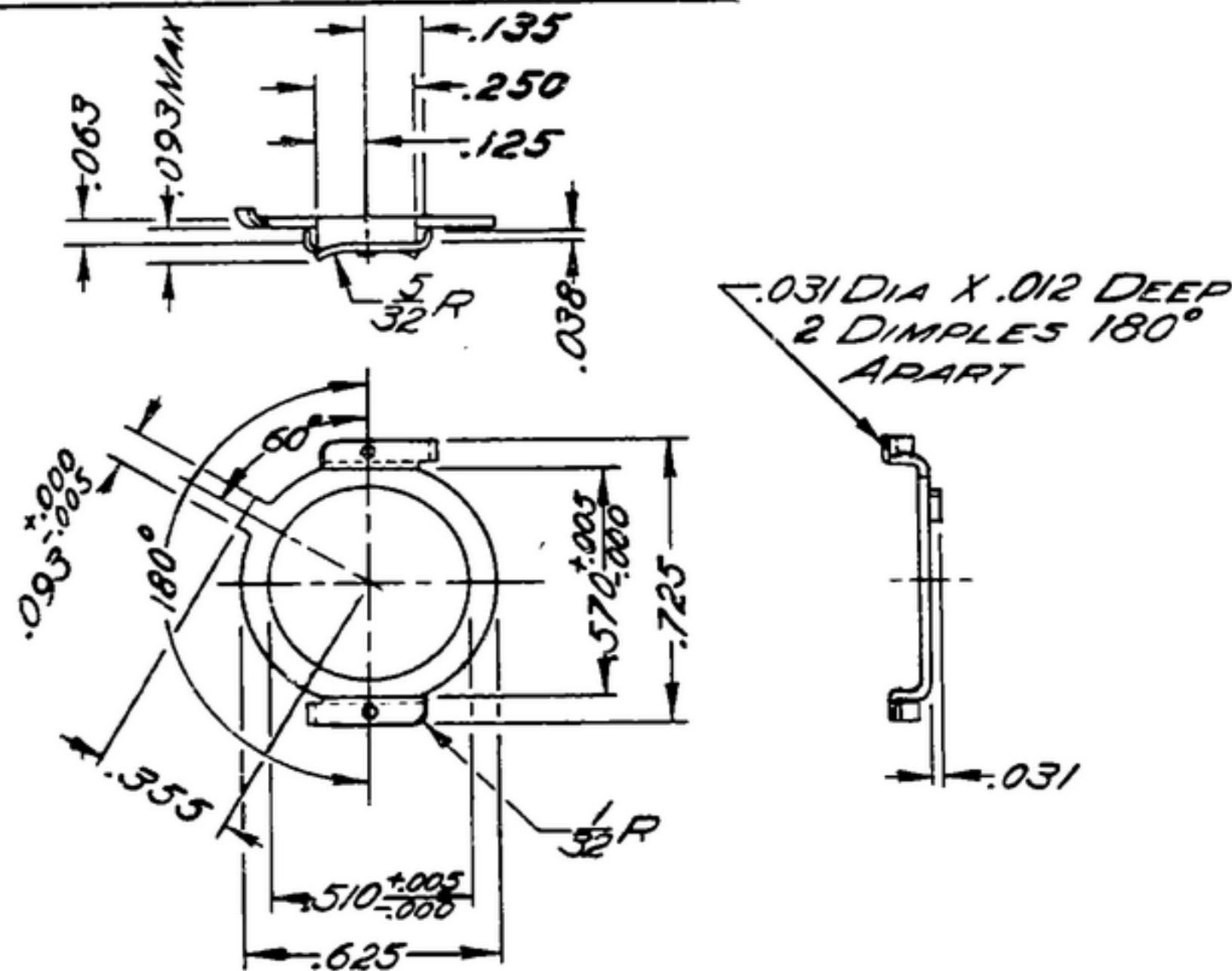
NOTICE: WHEN GOVERNMENT DRAWINGS, SPECIFICATIONS, OR OTHER DATA ARE USED FOR ANY PURPOSE OTHER THAN IN CONNECTION WITH A DEFINITELY RELATED GOVERNMENT PROCUREMENT OPERATION, THE UNITED STATES GOVERNMENT THEREBY INCURS NO RESPONSIBILITY NOR ANY OBLIGATION WHATSOEVER, AND THE FACT THAT THE GOVERNMENT MAY HAVE FORMULATED, FURNISHED, OR IN ANY WAY SUPPLIED THE SAID DRAWINGS, SPECIFICATIONS, OR OTHER DATA IS NOT TO BE REGARDED BY IMPLICATION OR OTHERWISE AS IN ANY MANNER LICENSING THE HOLDER OR ANY OTHER PERSON OR CORPORATION, OR CONVEYING ANY RIGHTS OR PERMISSION TO MANUFACTURE, USE, OR SELL ANY PATENTED INVENTION THAT MAY IN ANY WAY BE RELATED THERETO.

THIS DOCUMENT HAS BEEN PURCHASED BY THE GOVERNMENT AND MAY BE REPRODUCED AND USED IN CONNECTION WITH ANY GOVERNMENT PROCUREMENT OR MAINTENANCE OPERATION.

* FOR INFORMATION ONLY. CONTRACTOR MAY AT HIS OPTION DEVIATE FROM THESE PROCESS DETAILS.

SWE APPROVAL
SYM PR10048-6

REVISIONS			
SYM	DESCRIPTION	DATE	APPROVAL
A ₁	A ₁ - WAS M352	15 OCT 59	42428-PC-59-A1-51 REV'D P.M.E.
B	(1) WAS M253	31 OCT 61	42428-PC-59 REV'D P.M.E.



NOTES
1. PART MAY BE NO. 26-1069 AS SUPPLIED BY AMERICAN PHENOLIC CORP., CHICAGO, ILL., OR EQUAL, PROVIDING IT MEETS THE FOLLOWING REQUIREMENTS AND DIMENSIONS SHOWN.

DESCRIPTION: LOCK RING USED FOR SECURING CONNECTORS IN POSITION.
MATERIAL: BRASS (.025) THICK
FINISH: M352 PER SPEC MIL-F-14072.

(B₁) (A₁)

COLLINS PART NO.	ITEM	QTY	PART NO.	DESCRIPTION	MATL	MATL SPEC
LIST OF MATERIAL						
COLLINS PART NO. <i>559 0302 002</i>						

COLLINS NO.	QTY	NEXT ASSY	USED ON
<i>SM-D-144282</i>		<i>SC-DL-144500</i>	
<i>SM-E-144100</i>			
<i>SM-E-144107</i>		<i>SC-DL-143280</i>	
558 0451 004	1	SM-D-249100	
558 0396 004	1	SM-D-249001	SC-DL-248775

DRAWN *R C HILL* CHECKED *PH* APPROVED

UNLESS OTHERWISE SPECIFIED:
DECIMAL DIMENSIONS INCLUDING HOLE SIZES MAY VARY ±.005
FRACTIONAL DIMENSIONS INCLUDING HOLE SIZES MAY VARY ±1/64
MACHINED ANGLES MAY VARY ±1°
SNEARED ANGLES MAY VARY ±.25°
BROKEN ANGLES MAY VARY ±1°
ECCENTRICITY BETWEEN ANY DIAMETERS ON THE SAME CENTERLINE SHALL NOT EXCEED .010 TOTAL INDICATOR READING.
ALL DIMENSIONS ARE FINISH DIMENSIONS INCLUDING APPLIED FINISH AND ARE GIVEN IN INCHES.

COLLINS RADIO CO.
-SIGNAL CORPS ENGINEERING-
14214-PH-51-93

SIGNAL CORPS
REVIEWED *PME*
APPROVED *HLV*
PME
DATE *16 JAN 56* SCALE *2/1*

DEPARTMENT OF THE ARMY
SIGNAL CORPS ENGINEERING
LABORATORIES
FORT MONMOUTH NEW JERSEY
SM-B-283201