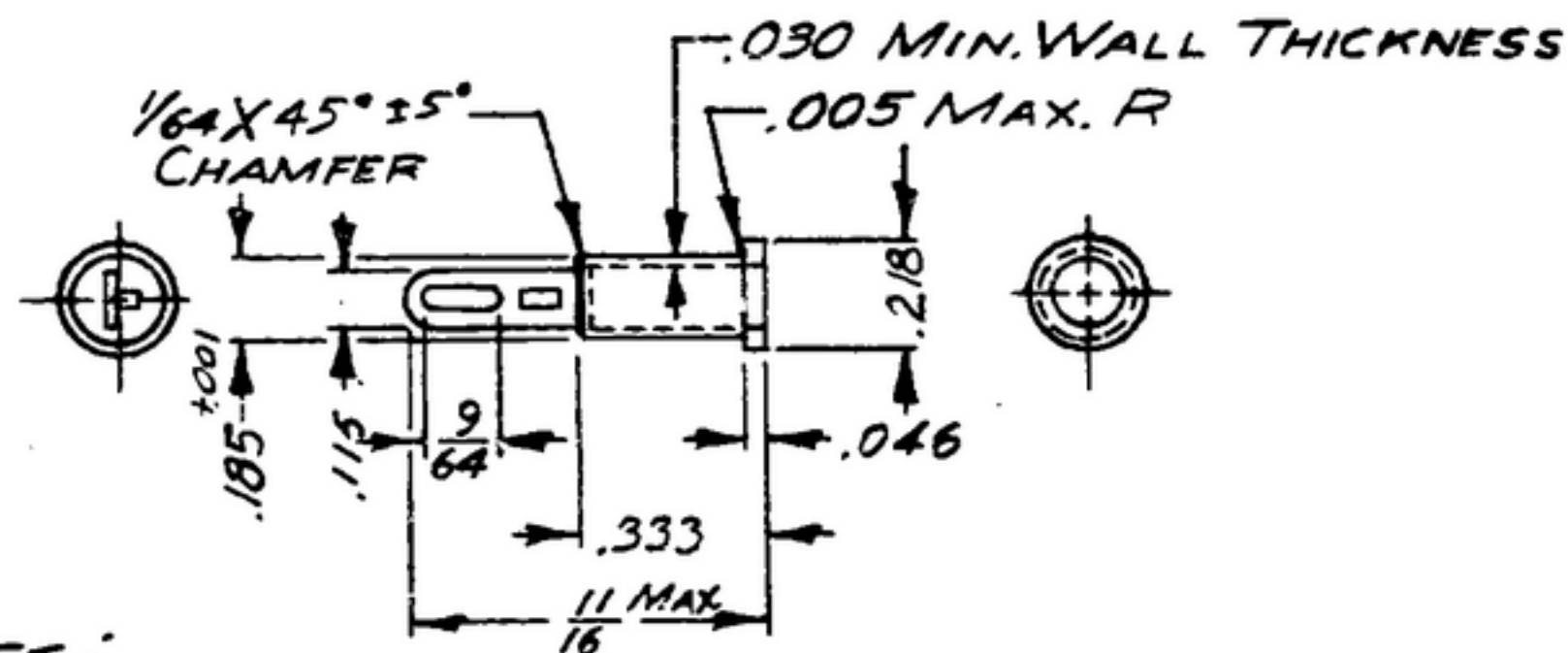


NOTICE: WHEN GOVERNMENT DRAWINGS, SPECIFICATIONS, OR OTHER DATA ARE USED FOR ANY PURPOSE OTHER THAN IN CONNECTION WITH A DEFINITELY RELATED GOVERNMENT PROCUREMENT OPERATION, THE UNITED STATES GOVERNMENT THEREBY INCURS NO RESPONSIBILITY FOR ANY OBLIGATION WHATSOEVER; AND THE FACT THAT THE GOVERNMENT MAY HAVE FORMULATED, FURNISHED, OR IN ANY WAY SUPPLIED THE SAID DRAWINGS, SPECIFICATIONS, OR OTHER DATA IS NOT TO BE REGARDED BY REPLICATION OR OTHERWISE AS IN ANY MANNER LICENSING THE HOLDER OR ANY OTHER PERSON OR CORPORATION, OR CONVEYING ANY RIGHTS OR PERMISSION TO MANUFACTURE, USE, OR SELL ANY PATENTED INVENTION THAT MAY IN ANY WAY BE RELATED THERETO.

THIS DOCUMENT HAS BEEN PURCHASED BY THE GOVERNMENT AND MAY BE REPRODUCED AND USED IN CONNECTION WITH ANY GOVERNMENT PROCUREMENT OR MAINTENANCE OPERATION.

* FOR INFORMATION ONLY. CONTRACTOR MAY AT HIS OPTION DEVIATE FROM THESE PROCESS DETAILS.

REVISIONS			
SYM	DESCRIPTION	DATE	APPROVAL



NOTES:

- PART MAY BE # 5KT-1 AS SUPPLIED BY SEAELECTRO CORP, ROCHELLE, NEW YORK, OR EQUAL. PROVIDING IT MEETS THE FOLLOWING REQUIREMENTS & DIMENSIONS SHOWN.

DESCRIPTION: RECEPTACLE CONNECTOR WITH FEMALE CONTACT FOR USE WITH 0.050 DIA. MALE CONTACT.
 INSULATION: TEFLON, AS SUPPLIED BY E.I. DUPONT, DE NEMOURS & CO, INC, WILMINGTON, DEL, OR EQUAL.
 CONTACT: COPPER, NON-MAGNETIC ALLOY, FINISH M351 PER SPEC. MIL-F-14072, FOLLOWED BY M310 PER SPEC. MIL-F-14072.
 CONTACT RETENTION TEST AFTER SILVER PLATING. CONTACT SHALL WITHSTAND THREE INSERTIONS OF 0.0510 \pm .0003 DIA. POLISHED HARDENED STEEL PIN WITH ROUNDED ENDS. AFTER INSERTIONS, CONTACT SHALL BE CAPABLE OF RETAINING 0.0490 \pm .0003 DIA. WEIGHING 3 OUNCES MINIMUM, WHEN CONTACT IS IN AN INVERTED POSITION.

COLLINS PART NO.	QTY	REQD	PART NO.	DESCRIPTION	DATE	DATE SPEC
LIST OF MATERIAL						
-COLLINS PART NO. <i>559-0285-002</i>						

DRAWN <i>Hammer</i>				CHECKED <i>[Signature]</i>		APPROVED		COLLINS RADIO CO. CEDAR RAPIDS, IOWA 14214-PH-51-93		DEPARTMENT OF THE ARMY SIGNAL CORPS ENGINEERING LABORATORIES FORT MONMOUTH NEW JERSEY	
558 0436 004 82 SM-D-249085				558 8393 003 3 SM-C-249043		558 0579 002 30 SM-B-249029		558 0538 005 1 SM-C-245387 SC-DL-248775			
UNLESS OTHERWISE SPECIFIED: DECIMAL DIMENSIONS INCLUDING HOLE SIZES MAY VARY $\pm .008$ FRACTIONAL DIMENSIONS INCLUDING HOLE SIZES MAY VARY $\pm 1/64$ MACHINED ANGLES MAY VARY $\pm 1^\circ$ BREAKED ANGLES MAY VARY $\pm .25^\circ$ BROKEN ANGLES MAY VARY $\pm 1^\circ$ ECCENTRICITY BETWEEN ANY DIAMETERS ON THE SAME CENTERLINE SHALL NOT EXCEED .010 TOTAL INDICATOR READING. ALL DIMENSIONS ARE FINISH DIMENSIONS INCLUDING APPLIED FINISH AND ARE GIVEN IN INCHES.				REVIEWED <i>PME</i>		APPROVED <i>HLV</i> <i>PME</i>		DATE <i>15 JAN 56</i>		SCALE <i>2/1</i>	
APPLICATION				CONNECTOR-RECEPTACLE		SM-B-283184					