

EQUIP. TYPE *P-39A/4RA* EXP. NO.

*COL 309 0029 0059 0062 00*

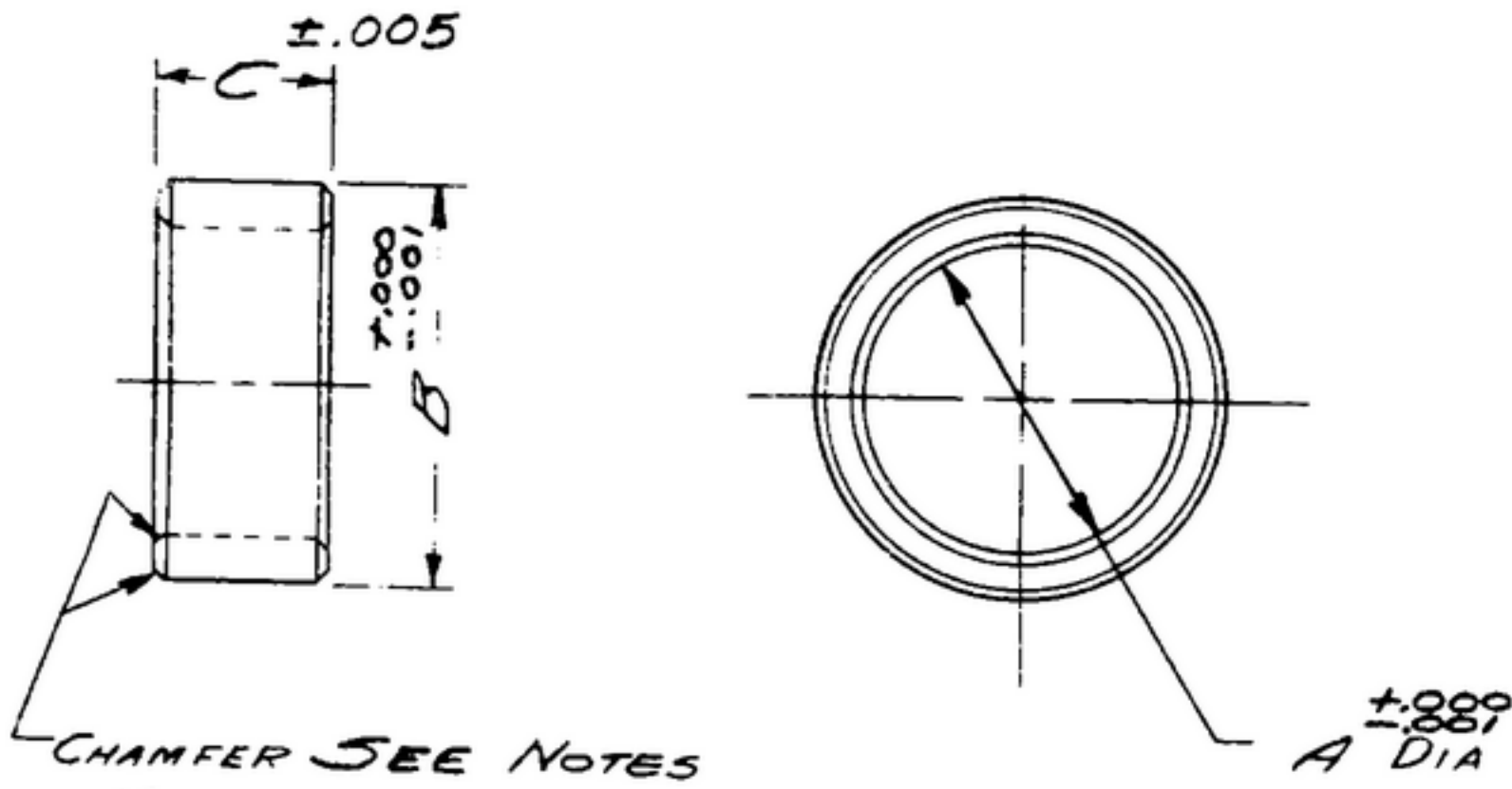
NOTICE: WHEN GOVERNMENT DRAWINGS, SPECIFICATIONS, OR OTHER DATA ARE USED FOR ANY PURPOSE OTHER THAN IN CONNECTION WITH A DEFINITELY RELATED GOVERNMENT PROCUREMENT OPERATION, THE UNITED STATES GOVERNMENT THEREBY INCURS NO RESPONSIBILITY NOR ANY OBLIGATION WHATSOEVER; AND THE FACT THAT THE GOVERNMENT MAY HAVE FORMULATED, FURNISHED, OR IN ANY WAY SUPPLIED THE SAID DRAWINGS, SPECIFICATIONS, OR OTHER DATA IS NOT TO BE REGARDED BY IMPLICATION OR OTHERWISE AS IN ANY MANNER LICENSING THE HOLDER OR ANY OTHER PERSON OR CORPORATION, OR CONVEYING ANY RIGHTS OR PERMISSION TO MANUFACTURE, USE, OR SELL ANY PATENTED INVENTION THAT MAY IN ANY WAY BE RELATED THERETO.

THIS DOCUMENT HAS BEEN PURCHASED BY THE GOVERNMENT AND MAY BE REPRODUCED AND USED IN CONNECTION WITH ANY GOVERNMENT PROCUREMENT OR RESEARCH OPERATION.

\*FOR INFORMATION ONLY. CONTRACTOR MAY AT HIS OPTION DEVIATE FROM THESE PROCESS DETAILS.

REVISIONS			
SYM	DESCRIPTION	DATE	APPROVAL

COLLINS PART NO.	DASH NO.	A	B	C	MFG'S NO
<i>559 0234 002</i>	<i>SM-B-283155-1</i>	<i>2505</i>	<i>377</i>	<i>3/8</i>	<i>A-204-7</i>
<i>559 0235 002</i>		<i>-2.187</i>	<i>2835</i>	<i>27/64</i>	
<i>559 0236 002</i>		<i>-3.312</i>	<i>409</i>	<i>11/64</i>	



CHAMFER SEE NOTES

NOTES:

1. PART MAY BE SUPPLIED BY CHRYSLER CORP, AMPLEX DIV, DETROIT 31, MICH, OR EQUAL, PROVIDING IT MEETS THE FOLLOWING DIMENSIONS SHOWN.

LUBRICATION: OIL PER SPEC MIL-L-7870.  
CENTERS SHALL BE CONCENTRIC WITHIN .003 T.I.R.  
\* INDICATES ITEMS ARE NOT GENERAL STOCK ITEMS.  
CHAMFER TO BE 1/64 X 45° ON WALLS EXCEEDING 3/32 THICKNESS & ROUNDED ENDS FOR THICKNESS 1/32 TO 3/32.

COLLINS PART NO.	QTY	DESCR	MATL	MATL SPEC
LIST OF MATERIAL				
COLLINS PART NO. <i>559 0234 002</i> <i>559 0236</i>				

COLLINS NO.	QTY	NEXT ASSY	USED ON
<i>558 0112 002</i>	<i>1</i>	<i>SM-B-248846</i>	
<i>558 0319 003</i>	<i>1</i>	<i>SM-C-248970</i>	
<i>558 7503 002</i>	<i>1</i>	<i>SM-B-248942 SC-DL-248775</i>	

DRAWN *Mml* CHECKED *[Signature]* APPROVED

UNLESS OTHERWISE SPECIFIED:  
DECIMAL DIMENSIONS INCLUDING HOLE SIZES MAY VARY ±.005  
FRACTIONAL DIMENSIONS INCLUDING HOLE SIZES MAY VARY ±1/64  
MACHINED ANGLES MAY VARY ±.1°  
SHEARED ANGLES MAY VARY ±.25°  
BROKEN ANGLES MAY VARY ±.1°  
ECCENTRICITY BETWEEN ANY DIAMETERS ON THE SAME CENTERLINE SHALL NOT EXCEED .010 TOTAL INDICATOR READING.  
ALL DIMENSIONS ARE FINISH DIMENSIONS INCLUDING APPLIED FINISH AND ARE GIVEN IN INCHES.

COLLINS RADIO CO.  
—DESAR, RAINES, IOWA—  
14214-PH-51-93  
SIGNAL CORPS  
REVIEWED *PME*  
APPROVED *HLY*  
*PME*  
DATE *28 Nov 55* SCALE *4/1*

*BEARING*

DEPARTMENT OF THE ARMY  
SIGNAL CORPS ENGINEERING  
LABORATORIES  
FORT MONMOUTH NEW JERSEY  
  
*SM-B-283155*