

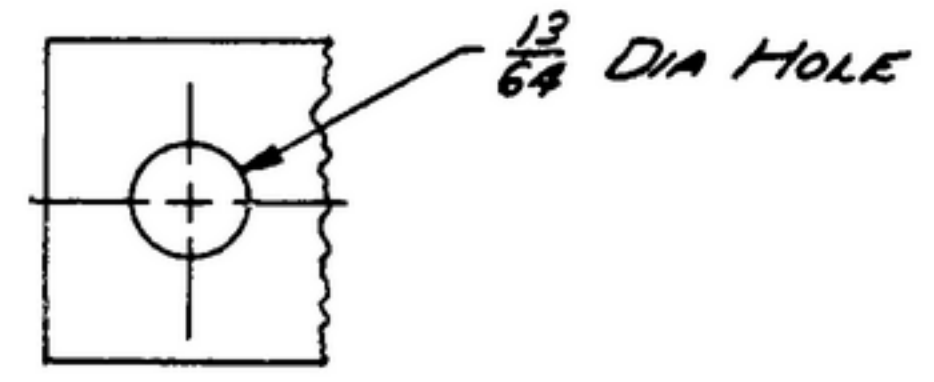
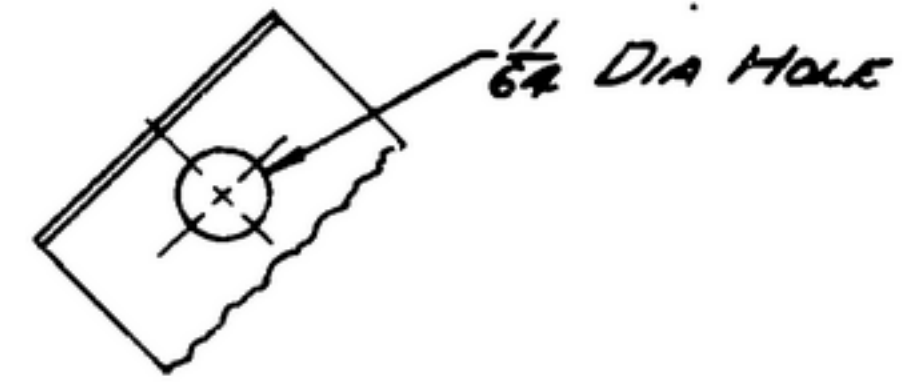
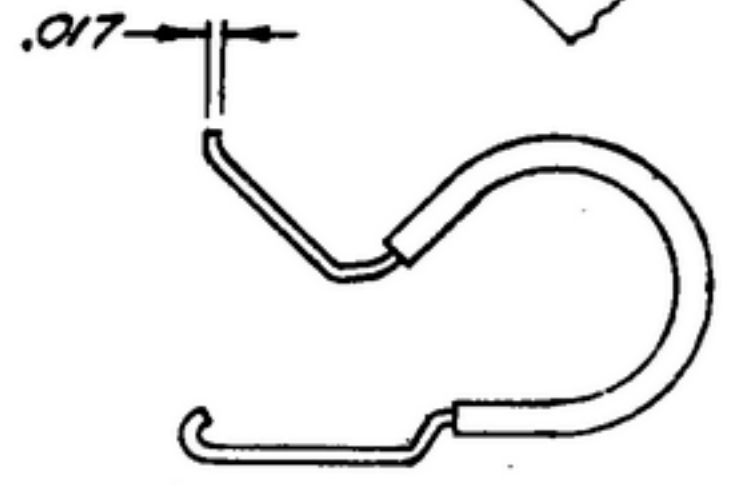
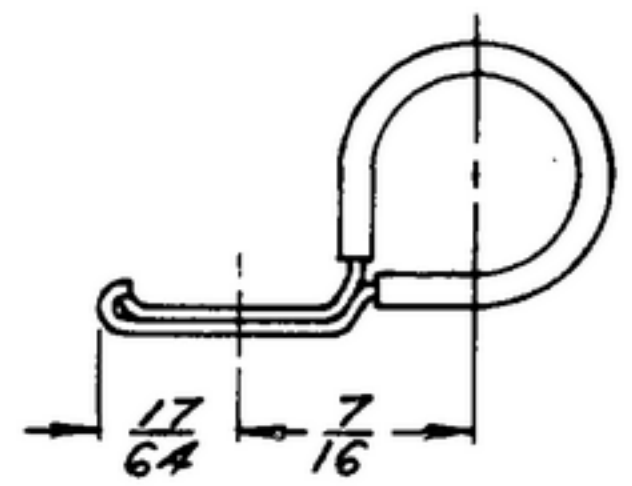
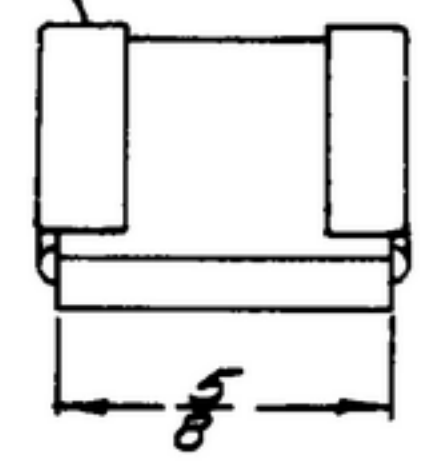
NOTICE: WHEN GOVERNMENT DRAWINGS, SPECIFICATIONS, OR OTHER DATA ARE USED FOR ANY PURPOSE OTHER THAN IN CONNECTION WITH A DEFINITELY RELATED GOVERNMENT PROCUREMENT OPERATION, THE UNITED STATES GOVERNMENT THEREBY INCURS NO RESPONSIBILITY FOR ANY DELIBERATE OR UNDELIBERATE MISUSE OF THE SAID DRAWINGS, SPECIFICATIONS, OR OTHER DATA IN ANY MANNER OR FOR ANY PATENTED INVENTION THAT MAY IN ANY WAY BE RELATED THEREBY.

THIS DOCUMENT HAS BEEN PURCHASED BY THE GOVERNMENT AND MAY BE REPRODUCED AND USED IN CONNECTION WITH ANY GOVERNMENT PROCUREMENT OR MAINTENANCE OPERATION.

* FOR INFORMATION ONLY. CONTRACTOR MAY AT HIS OPTION DEVIATE FROM THESE PROCESS DETAILS.

REVISIONS			
SYM	DESCRIPTION	DATE	APPROVAL

EXTRUDED SYNTHETIC CHANNEL 1/32 THICK.



NOTES:

1. PART MAY BE #A3044A-3-92, AS SUPPLIED BY TINNEMAN PRODUCTS INC, CLEVELAND, OHIO, OR EQUIV., PROVIDING IT MEET THE FOLLOWING REQUIREMENTS AND DIMENSIONS SHOWN.

MATERIAL: METAL PART - PLAIN ALUMINUM, INSULATION - FLAME RESISTANT, EXTRUDED SYNTHETIC CHANNEL.

DESCRIPTION: 3/8 NOMINAL I.D. CLAMP.

COLLINS PART NO.	ITEM	QTY	PART NO.	DESCRIPTION	DATE	MATL SPEC
------------------	------	-----	----------	-------------	------	-----------

LIST OF MATERIAL

COLLINS PART NO. *559 6127 802*

COLLINS NO.	QTY	NEXT ASSY	USED ON

DRAWN *RDG* CHECKED *[Signature]* APPROVED

UNLESS OTHERWISE SPECIFIED:
 DECIMAL DIMENSIONS INCLUDING HOLE SIZES MAY VARY ±.005
 FRACTIONAL DIMENSIONS INCLUDING HOLE SIZES MAY VARY ±1/64
 MACHINED ANGLES MAY VARY ±.1°
 SHEARED ANGLES MAY VARY ±.25°
 BROKEN ANGLES MAY VARY ±.1°
 ECCENTRICITY BETWEEN ANY DIAMETERS ON THE SAME CENTERLINE SHALL NOT EXCEED .010 TOTAL INDICATOR READING.
 ALL DIMENSIONS ARE FINISH DIMENSIONS INCLUDING APPLIED FINISH AND ARE GIVEN IN INCHES.

COLLINS RADIO CO.
 1421A-FH-51-93
 SIGNAL CORPS
 REVIEWED *PME*
 APPROVED *HLV* *PME*
 DATE *13 JAN 1956* SCALE *2/1*

CLAMP-CABLE

DEPARTMENT OF THE ARMY
 SIGNAL CORPS ENGINEERING
 LABORATORIES
 FORT MONMOUTH NEW JERSEY

SM-B-249205