

EQUIP. TYPE *R 390A/JRR* EXP. NO.

COL 139-0792-00

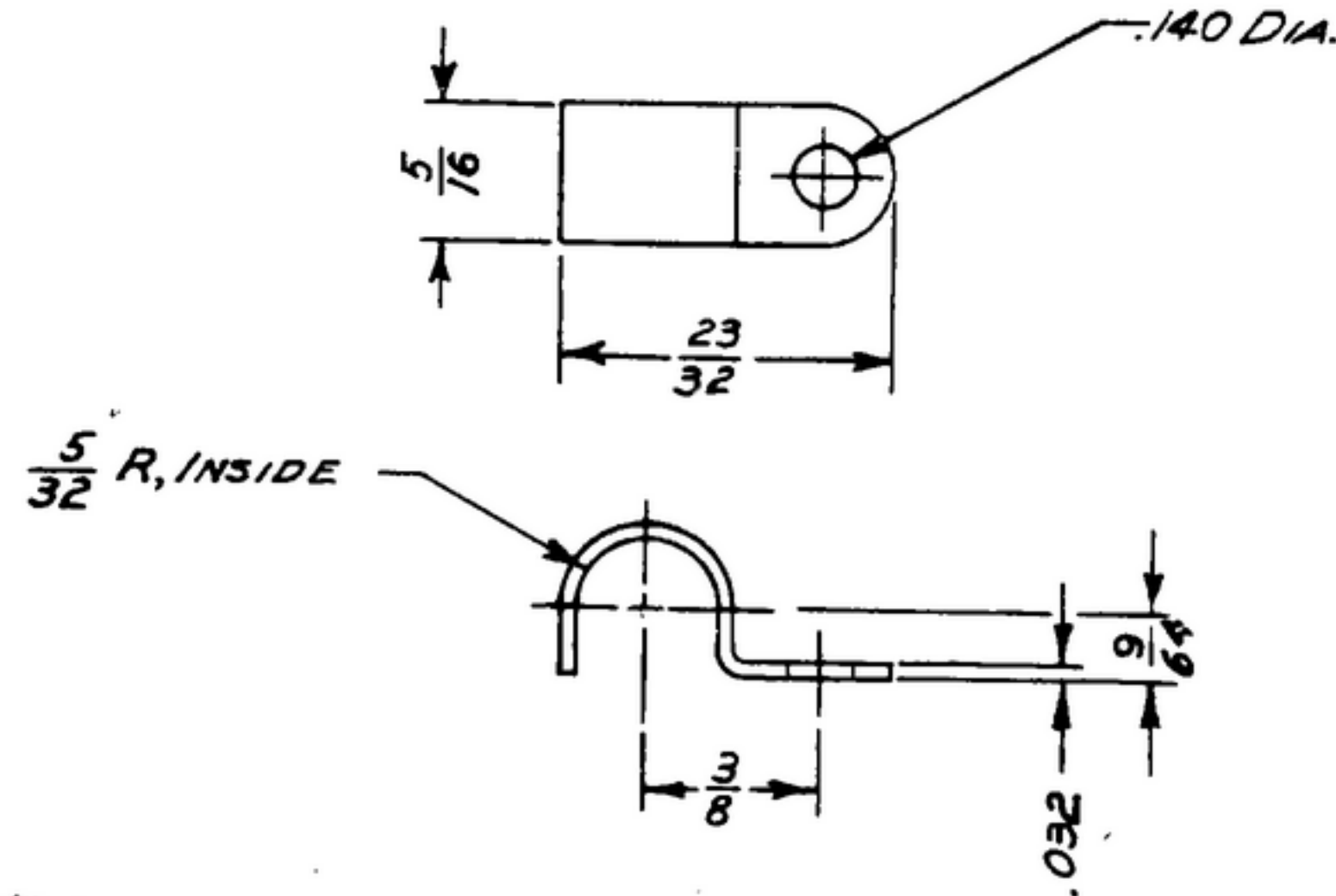
NOTICE: WHEN GOVERNMENT DRAWINGS, SPECIFICATIONS, OR OTHER DATA ARE USED FOR ANY PURPOSE OTHER THAN IN CONNECTION WITH A DEFINITELY RELATED GOVERNMENT PROCUREMENT OPERATION, THE UNITED STATES GOVERNMENT THEREBY ASSUMES NO RESPONSIBILITY FOR ANY CONSEQUENCES WHATSOEVER AND IN NO WAY SUPPLES THE CAUTION OR OTHERWISE AS IN ANY MANNER LIMITING THE RIGHTS OF ANY OTHER PERSON OR CORPORATION, OR SURRENDERING ANY RIGHTS OR POSSESSION TO PATENT, TRADE, MARK, OR SELL ANY PATENTED INVENTION THAT MAY IN ANY WAY BE RELATED THEREBY.

THIS DOCUMENT HAS BEEN PREPARED BY THE GOVERNMENT AND MAY BE REPRODUCED AND USED IN CONNECTION WITH ANY GOVERNMENT PROCUREMENT OR MAINTENANCE OPERATION.

* FOR INFORMATION ONLY, CONTRACTOR MAY AT HIS OPTION DEVIATE FROM THESE PROCESS DETAILS.

REVISIONS

SYM	DESCRIPTION	DATE	APPROVAL
-----	-------------	------	----------



NOTES:

1. PART MAY BE #1051 AS SUPPLIED BY CINCH MFG CORP, CHICAGO, ILL, OR EQUAL, PROVIDING IT MEETS THE FOLLOWING REQUIREMENTS & DIMENSIONS SHOWN.

MATERIAL: C. R. STEEL

FINISH: M262 OR M269 PER MIL-F-14072

COLLINS PART NO.	REV	ISS	PART NO.	DESCRIPTION	DATE	DATE SPEC
------------------	-----	-----	----------	-------------	------	-----------

LIST OF MATERIAL COLLINS PART NO. *559-0115-002*

COLLINS NO.	QTY	NEXT ASSY	USED ON
<i>559-0452-005</i>	<i>1</i>	<i>SM-B-249202</i>	<i>SC-D-24878</i>

DRAWN *ECS* CHECKED *[Signature]* APPROVED

UNLESS OTHERWISE SPECIFIED:
 DECIMAL DIMENSIONS INCLUDING HOLE SIZES MAY VARY ±.005
 FRACTIONAL DIMENSIONS INCLUDING HOLE SIZES MAY VARY ±1/64
 BEASURED ANGLES MAY VARY ±.1°
 SHEARED ANGLES MAY VARY ±.25°
 BROKEN ANGLES MAY VARY ±.1°
 ECCENTRICITY BETWEEN ANY DIAMETERS ON THE SAME CENTERLINE SHALL NOT EXCEED .010 TOTAL INDICATOR READING.
 ALL DIMENSIONS ARE FINISH DIMENSIONS INCLUDING APPLIED FINISH AND ARE GIVEN IN INCHES.

COLLINS-RADIO-CO.
DEAN-RAFFES-TOW
14214-PH-
51-93

SIGNAL CORPS
 REVIEWED *PME*
 APPROVED *HLV*
PME
 DATE *11 JAN 56* SCALE *2/1*

CLAMP-CABLE

DEPARTMENT OF THE ARMY
 SIGNAL CORPS ENGINEERING
 LABORATORIES
 FORT MONMOUTH NEW JERSEY
SM-B-249202