

EQUIP. TYPE R390A/JRR EXP. NO.

COL. 540 7861 002

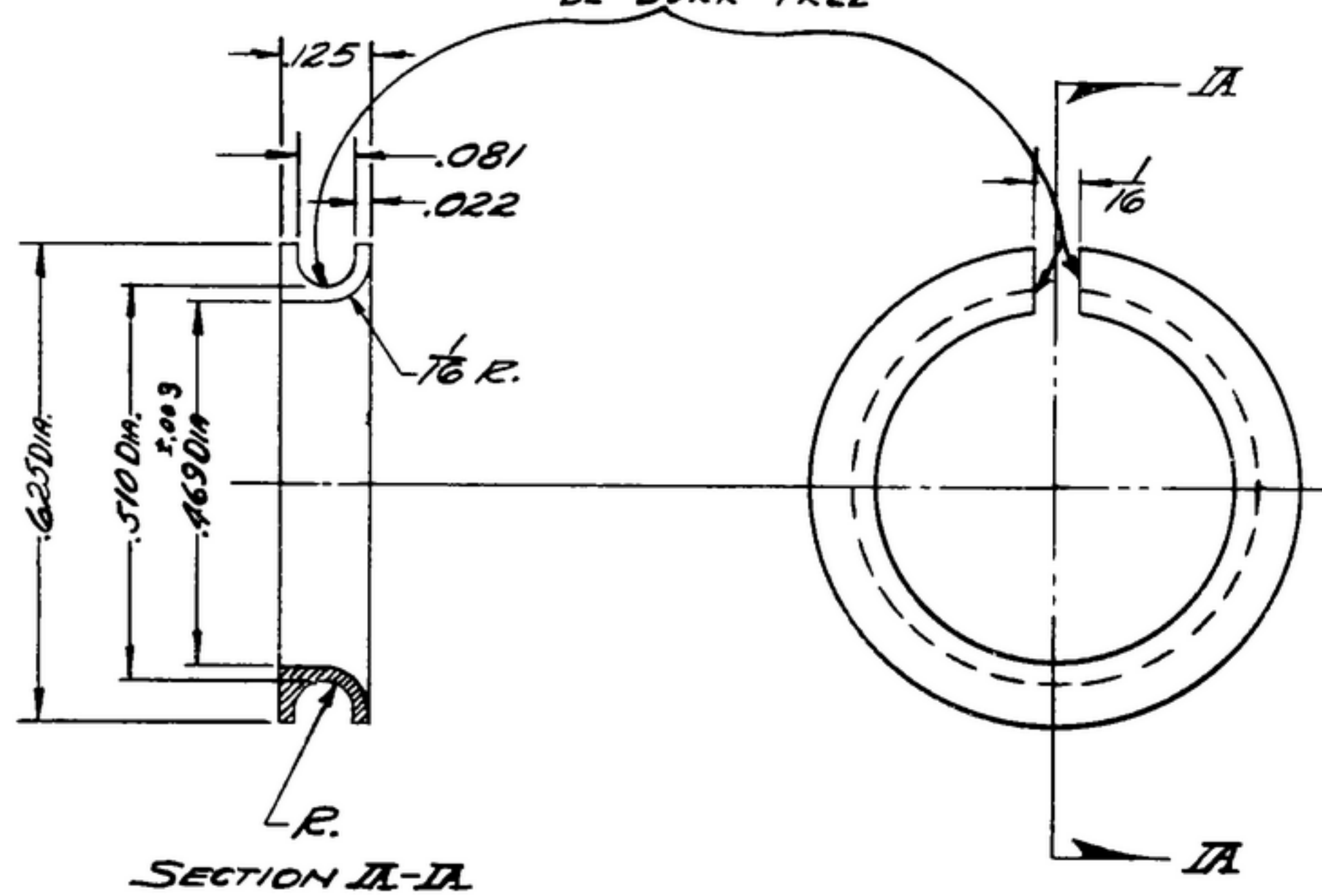
NOTICE: WHEN GOVERNMENT DRAWINGS, SPECIFICATIONS, OR OTHER DATA ARE USED FOR ANY PURPOSE OTHER THAN IN CONNECTION WITH A DEFINITELY RELATED GOVERNMENT PROCUREMENT OPERATION, THE UNITED STATES GOVERNMENT THEREBY INCURS NO RESPONSIBILITY AND ANY SOLICITATION WHATSOEVER, AND THE FACT THAT THE GOVERNMENT MAY HAVE FORMULATED, PROVIDED, OR IN ANY WAY SUPPLIED THE SAID DRAWINGS, SPECIFICATIONS, OR OTHER DATA, DOES NOT BE REGARDED BY REPLICATION OR OTHERWISE AS IN ANY MANNER LICENSING THE HOLDER OR ANY OTHER PERSON OR CORPORATION, OR CONVEYING ANY RIGHTS OR PERMISSION TO MANUFACTURE, USE, OR SELL ANY PATENTED INVENTION THAT MAY IN ANY WAY BE RELATED THERETO.

THIS DOCUMENT HAS BEEN PURCHASED BY THE GOVERNMENT AND MAY BE REPRODUCED AND USED IN CONNECTION WITH ANY GOVERNMENT PROCUREMENT OR MAINTENANCE OPERATION.

* FOR INFORMATION ONLY. CONTRACTOR MAY AT HIS OPTION DEVIATE FROM THESE PROCESS DETAILS.

REVISIONS			
SYM	DESCRIPTION	DATE	APPROVAL
SWE APPROVAL			
SYM RR-1002E-17			
A, C.A. 682	A, WAS BRASS, COMP. 22 COND. 1/2 H, PER SPEC. QQ-B.626	23 FEB. 60	42428-PC-59 RFPD PME
B, C.A. 84805	(1) ADDED NOTATION	14-SEP-60	42428-PC-59 RFPD PME

(B)
THIS AREA MUST BE BURR FREE



BRASS, COMP. 11 COND. HARD PER SPEC. MIL-T-6945. (A)

NOTES:
1. .469 DIM. MAY HAVE $\pm .010$ TOL. AFTER SLOTTING.

COLLINS PART NO.	ITEM	REQD	PART NO.	DESCRIPTION	MATL	MATL SPEC
LIST OF MATERIAL						
-COLLINS PART NO. 558 0407 002						

DRAWN JENNETT				CHECKED PME		APPROVED		COLLINS RADIO CO. CEDAR RAPIDS, IOWA 14214-PH 51-93 SIGNAL CORPS		DEPARTMENT OF THE ARMY SIGNAL CORPS ENGINEERING LABORATORIES FORT MONMOUTH NEW JERSEY	
UNLESS OTHERWISE SPECIFIED: DECIMAL DIMENSIONS INCLUDING HOLE SIZES MAY VARY $\pm .008$ FRACTIONAL DIMENSIONS INCLUDING HOLE SIZES MAY VARY $\pm 1/64$ MACHINED ANGLES MAY VARY $\pm .1^\circ$ SHEARED ANGLES MAY VARY $\pm .25^\circ$ BROKEN ANGLES MAY VARY $\pm .1^\circ$ ECCENTRICITY BETWEEN ANY DIAMETERS ON THE SAME CENTERLINE SHALL NOT EXCEED .010 TOTAL INDICATOR READING. ALL DIMENSIONS ARE FINISH DIMENSIONS INCLUDING APPLIED FINISH AND ARE GIVEN IN INCHES.				REVIEWED PME		APPROVED HLY PME		LINK			
558 0429 003 - 2 SM-B-249078 SC-DL-249078				DATE 14 DEC 55		SCALE A/1				SM-B-249056	
APPLICATION											