

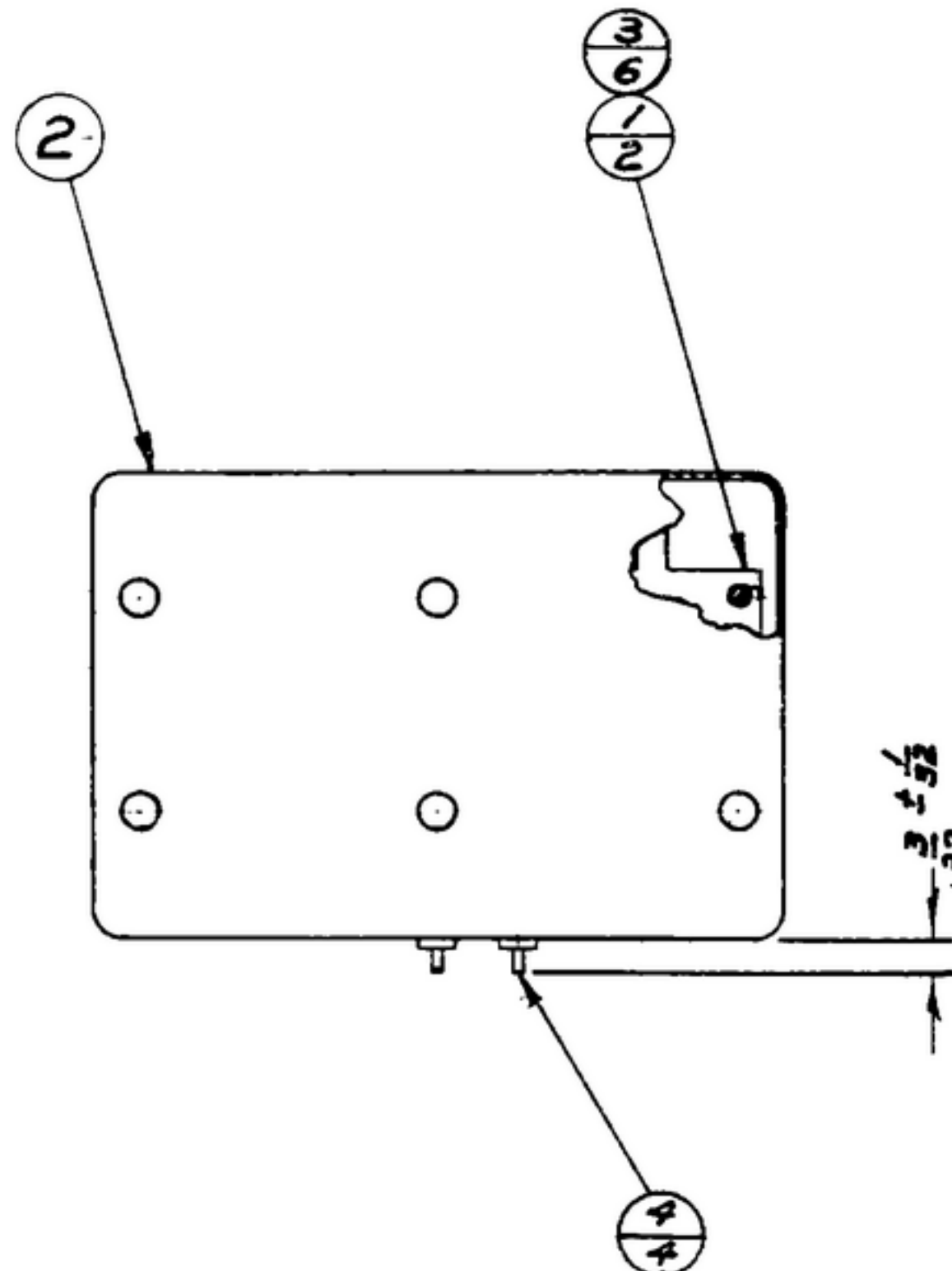
NOTICE: WHEN GOVERNMENT DRAWINGS, SPECIFICATIONS, OR OTHER DATA ARE USED FOR ANY PURPOSE OTHER THAN IN CONNECTION WITH A DEFINITELY RELATED GOVERNMENT PROCUREMENT OPERATION, THE UNITED STATES GOVERNMENT THEREBY ISSUES NO RESPONSIBILITY FOR ANY OMISSION, INADEQUACY AND THE FACT THAT THE GOVERNMENT MAY HAVE FORMULATED, PURCHASED, OR IN ANY WAY SUPPLIED THE SAID DRAWINGS, SPECIFICATIONS, OR OTHER DATA IS NOT TO BE REGARDED BY IMPLICATION OR OTHERWISE AS IN ANY MANNER LICENSEING THE HOLDER OR ANY OTHER PERSON OR CORPORATION, OR CONFERRING ANY RIGHTS OR PRIVILEGES TO MANUFACTURE, USE, OR SELL ANY PATENTED INVENTION THAT MAY IN ANY WAY BE RELATED THERETO.

THIS DOCUMENT HAS BEEN FORWARDED BY THE GOVERNMENT AND MAY BE REPRODUCED AND USED IN CONNECTION WITH ANY GOVERNMENT PROCUREMENT OR CONTRACTING OPERATION.

\* FOR INFORMATION ONLY. CONTRACTOR MAY AT HIS OPTION DEVIATE FROM THESE PROCESS DETAILS.

REVISIONS

SYM	DESCRIPTION	DATE	APPROVAL
<del>A<sub>1</sub></del>	<del>A<sub>1</sub> - .125 WAS .141</del>	<del>27 OCT. 59</del>	<del>42428-PC-59 REV'D. PME</del>
B	(1)-ITEM 3 PART NO. WAS SM-B-283266-1 ADDED (2)-ADDED NOTE 5 & 6. (3)-REPLACE COLLINS PART NO. WITH SWE NO.	6 DEC. 60	42428-PC-59 REV'D. PME



NOTES:

- ORIENT CONTACTS (1) TO CLEAR .125 DIA. HOLES.
- ROLL CONTACTS (1) TO CAN (2) USING RIVETS (3).
- PRESS TERMINALS (4) INTO CAN (2) WITH SHOULDER FLUSH AGAINST CAN.
- IN ALL SPLIT BALLOONS TOP FIGURE IS MATERIAL LIST ITEM INDICATOR & BOTTOM FIGURE IS QUANTITY.
- AS SUPPLIED BY NATIONAL RIVET AND MFG. CO., WAUPUN, WIS. PART NO. AB-1-3-ST-MATL. TYPE C1006, C1010 OR C1015 STEEL PER FED SPEC. QQ-W-409 OR EQUAL.
- FINISH M 262 PER SPEC. MIL-F-14072.

SYM	QTY	ITEM	REQD	PART NO.	DESCRIPTION	MATL	MATL SPEC
<del>B<sub>1</sub></del>	<del>4</del>	<del>4</del>	<del>4</del>	<del>SM-B-249269</del>	<del>TERMINAL-INSULATED</del>		
<del>B<sub>2</sub></del>	<del>3</del>	<del>6</del>	<del>3</del>	<del>SM-B-249036-1</del>	<del>RIVET-TUBULAR</del>		5,6
<del>B<sub>3</sub></del>	<del>2</del>	<del>1</del>	<del>2</del>	<del>SM-C-249041</del>	<del>CAN-OVEN</del>		
<del>B<sub>3</sub></del>	<del>1</del>	<del>2</del>	<del>1</del>	<del>SM-B-249028</del>	<del>CONTACT-FINGER</del>		

LIST OF MATERIAL - COLLINS PART NO. 558-0386-002

DRAWN <u>HENRY</u>		CHECKED <u>Rhm</u>	APPROVED	COLLINS-RADIO CO. CIRCUIT-RADIO DIV. 14214-PH 51-93	DEPARTMENT OF THE ARMY SIGNAL CORPS ENGINEERING LABORATORIES FORT MONMOUTH NEW JERSEY
UNLESS OTHERWISE SPECIFIED: DECIMAL DIMENSIONS INCLUDING HOLE SIZES MAY VARY ±.005 FRACTIONAL DIMENSIONS INCLUDING HOLE SIZES MAY VARY ±1/64 MACHINED ANGLES MAY VARY ±.1° SHEARED ANGLES MAY VARY ±.25° BROKEN ANGLES MAY VARY ±1° ECCENTRICITY BETWEEN ANY DIAMETERS ON THE SAME CENTERLINE SHALL NOT EXCEED .010 TOTAL INDICATOR READING. ALL DIMENSIONS ARE FINISH DIMENSIONS INCLUDING APPLIED FINISH AND ARE GIVEN IN INCHES.				SIGNAL CORPS	
558-0387-003 + SM-G249037 SC-249775				REVIEWED <u>PME</u>	
COLLINS NO.	QTY	NEXT ASSY	USED ON	APPROVED <u>HLV</u> <u>PME</u>	CAN ASSY-OVEN  SM-B-249036
APPLICATION				DATE <u>15 Dec 55</u> SCALE <u>1/1</u>	