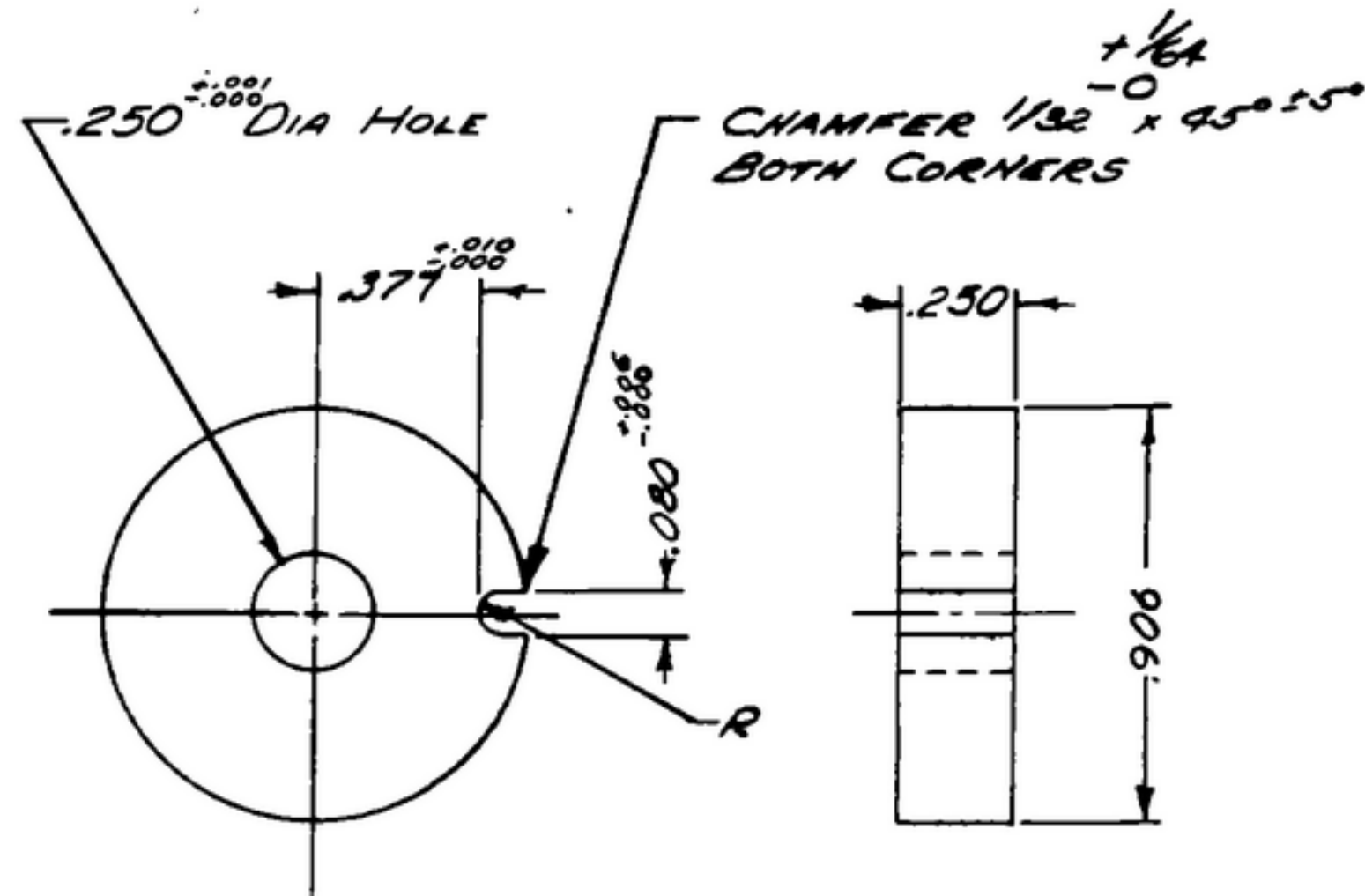


NOTICE: WHEN GOVERNMENT DRAWINGS, SPECIFICATIONS, OR OTHER DATA ARE USED FOR ANY PURPOSE OTHER THAN IN CONNECTION WITH A SPECIFICALLY RELATED GOVERNMENT PROCUREMENT OPERATION, THE UNITED STATES GOVERNMENT THEREBY MAKES NO REPRESENTATION OR WARRANTY, AND THE FACT THAT THE GOVERNMENT HAS FORMULATED, PROVIDED, OR IN ANY WAY SUPPLIED THE SAID DRAWINGS, SPECIFICATIONS, OR OTHER DATA IS NOT TO BE REGARDED BY IMPLICATION OR OTHERWISE AS IN ANY MANNER ENDORSING THE HOLDER OR ANY OTHER PERSON OR CORPORATION, OR CONFERRING ANY RIGHTS OR PERMISSION TO MANUFACTURE, USE, OR SELL ANY PATENTED INVENTION THAT MAY IN ANY WAY BE RELATED THERETO.

THIS DOCUMENT HAS BEEN PURCHASED BY THE GOVERNMENT AND MAY BE REPRODUCED AND USED IN CONNECTION WITH ANY GOVERNMENT PROCUREMENT OR MANUFACTURE OPERATION.

* FOR INFORMATION ONLY. CONTRACTOR MAY AT HIS OPTION DEVIATE FROM THESE PROCESS DETAILS.

REVISIONS			
SYM	DESCRIPTION	DATE	APPROVAL



CREES, COMP 3035, COND B, SURFACE COND d, PER SPEC MIL-5-7720

FINISH: E300 PER SPEC MIL-F-14072

** COLLINS 558-0229-002*

NOTES:

1. PART MUST BE FREE OF BURRS & SHARP EDGES.

COLLINS PART NO.	ITEM	QTY	PART NO.	DESCRIPTION	MATL	MATL SPEC
LIST OF MATERIAL						
COLLINS PART NO. <i>558-0229-002</i>						

DRAWN <i>Hamer</i>				CHECKED <i>[Signature]</i>		APPROVED		COLLINS RADIO CO. CEDAR RAPIDS, IOWA <i>14214-PH-51-93</i>		<i>COLLAR-STOP</i>		DEPARTMENT OF THE ARMY SIGNAL CORPS ENGINEERING LABORATORIES FORT MONMOUTH NEW JERSEY			
UNLESS OTHERWISE SPECIFIED: DECIMAL DIMENSIONS INCLUDING HOLE SIZES MAY VARY ±.008 FRACTIONAL DIMENSIONS INCLUDING HOLE SIZES MAY VARY ±1/64 MACHINED ANGLES MAY VARY ±.1° SHEARED ANGLES MAY VARY ±.25° BROKEN ANGLES MAY VARY ±.1° ECCENTRICITY BETWEEN ANY DIAMETERS ON THE SAME CENTERLINE SHALL NOT EXCEED .010 TOTAL INDICATOR READING. ALL DIMENSIONS ARE FINISH DIMENSIONS INCLUDING APPLIED FINISH AND ARE GIVEN IN INCHES.								REVIEWED <i>PME</i>						<i>SM-B-248872</i>	
558-0221002 + <i>SM-B-248872</i> SC-DL-248775						APPROVED <i>HLY</i> <i>PME</i>		DATE <i>6 DEC 55</i> SCALE <i>2/1</i>							
APPLICATION				COLLINS NO.		QTY		NEXT ASSY		USED ON					