

440-30P

1.7

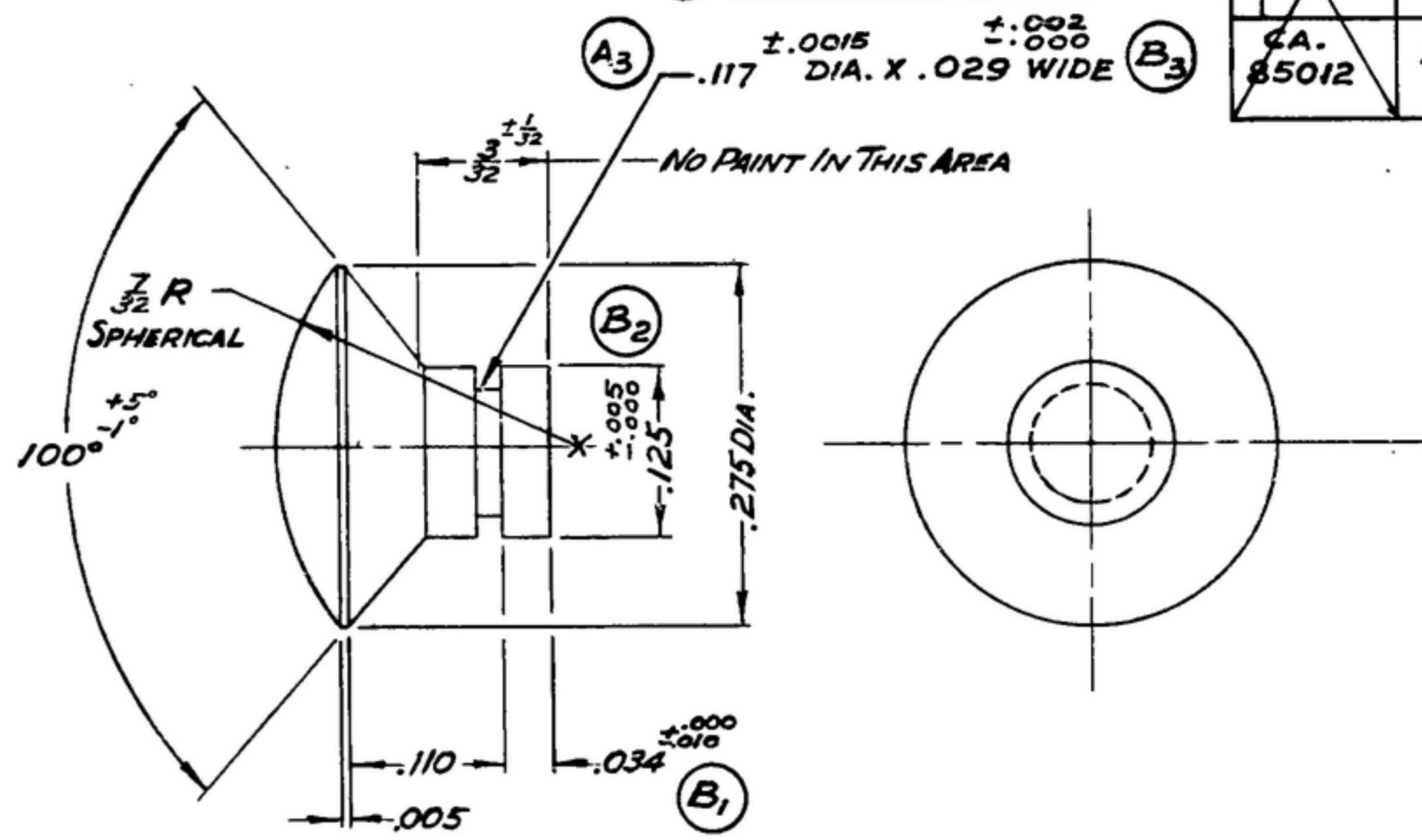
506-1973-002

R-391

NOTICE: When Government drawings, specifications, or other data are used for any purpose other than in connection with a definitely related Government procurement operation, the United States Government thereby incurs no responsibility or any obligation whatsoever; and the fact that the Government may have furnished, furnished, or in any way supplied the said drawings, specifications, or other data is not to be regarded by implication or otherwise as in any manner licensing the holder or any other person or corporation, or conveying any rights or permission to manufacture, use or sell any patented invention that may in any way be related thereto.

NEXT ASSEMBLY	USED ON
SM-C-179040	SC-DL-178467
SM-C-249149	SC-DL-248775
SM-C-343607	

SWE		REVISIONS		
SYMBOL	DESCRIPTION	DATE	APPROVAL	
APPROVAL				
SYMBOL	DESCRIPTION	DATE	APPROVAL	
10042-6	A ₁ - ADDED FINISH NOTE; A ₂ - ADDED APPL. SM-C-249149, SM-C-343607, SC-DL-248775; A ₃ - WAS .095 ± .002	15 OCT. 59	4242B-PC-59-A1-51 REV'D PME	
CA. 85012	B (1) ADDED +.000 TOLERANCE TO DIM. (2) ADDED TOLERANCE TO DIM. (3) WAS .017 ± .003 WIDE.	6 JAN. 61	4242B-PC-59 REV'D. PME	



- NOTES:**
- ALUMINUM ALLOY, COND. T4 PER SPEC. QQ-A-268.
 - FINISH: P515D PER SPEC. MIL-F-14072 NO. PAINT ALLOWED ON AREA SHOWN.

NOTE:
*FOR INFORMATION ONLY, CONTRACTOR MAY AT HIS OPTION DEVIATE FROM THESE PROCESS DETAILS

REQ.	DATE	DESCRIPTION	DATE	ISS	NOTE
STUD					
UNLESS OTHERWISE SPECIFIED DIMENSIONS ARE IN INCHES TOLERANCES ON FRACTIONS ± 1/64 DECIMALS ± .005 ANGLES ± _____ COMMERCIAL TOLERANCES APPLY TO STOCK SIZES ALL SURFACES ✓			AUTHENTICATION DRAWN 21852-PN CD-93 TRACED PHOTO CHECKED K VERIFIED P.D.B.R. APPROVED P.D.B.R. REVIEWED PME DATE 7-JUL-1953		
DEPARTMENT OF THE ARMY SIGNAL CORPS ENGINEERING LABORATORIES FORT MONMOUTH NEW JERSEY			SCALE 8/1 FINISH 90-316 SM-B-179043		

WHEN REFERRING TO THIS DRAWING STATE DRAWING NO., APPLICABLE ISSUE SYMBOL AND DATE