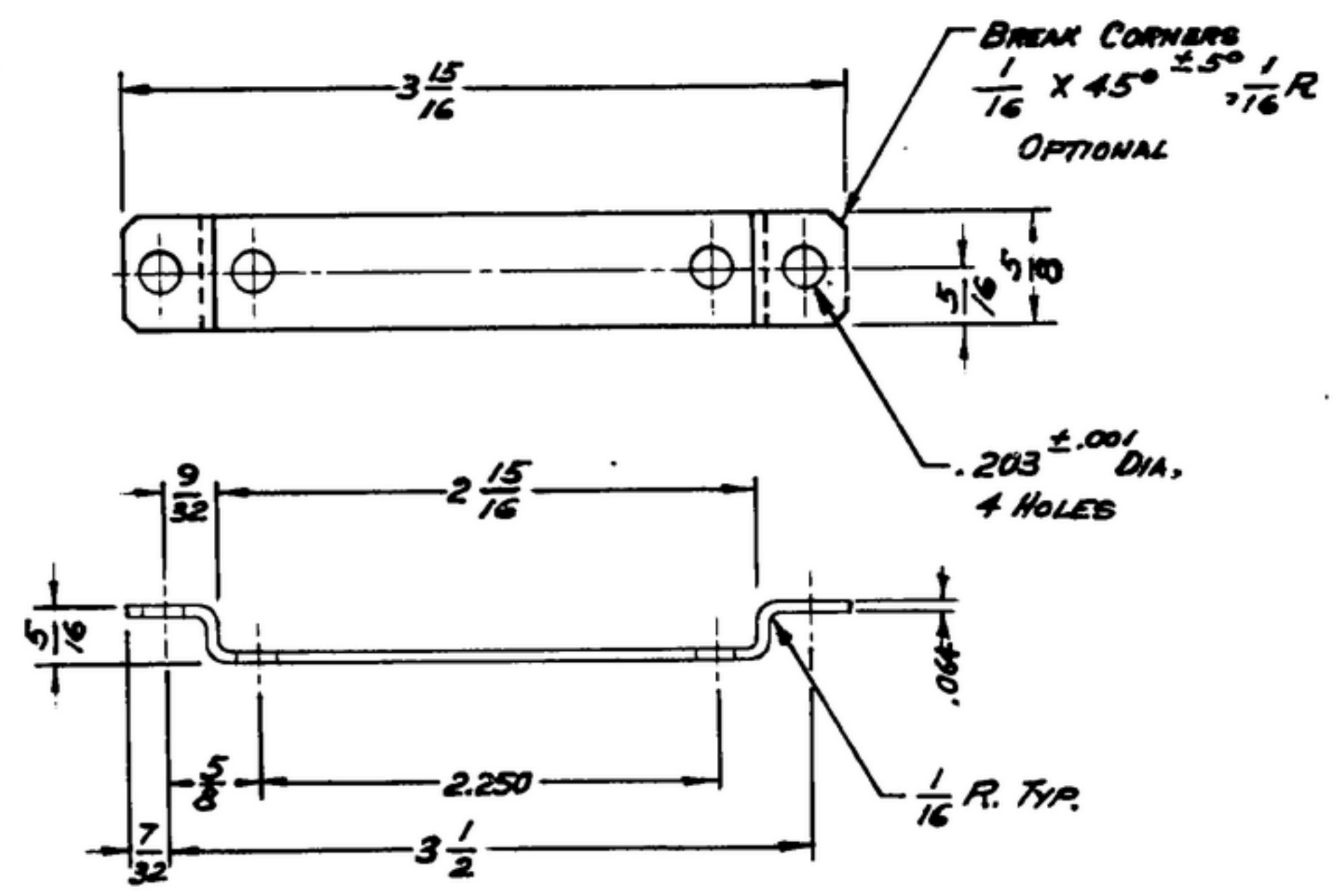


1-6  
 NOTICE: When Government drawings, specifications, or other data are used for any purpose other than in connection with a definitely related Government procurement operation, the United States Government thereby incurs no responsibility or any obligation whatsoever; and the fact that the Government may have formulated, furnished, or in any way supplied the said drawings, specifications, or other data is not to be regarded by implication or otherwise as in any manner licensing the holder or any other person or corporation, or conveying any rights or permission to manufacture, use or sell any patented invention that may in any way be related thereto.

NEXT ASSEMBLY		USED ON		REVISIONS			
SM-B-179038	SC-DL-178467	SM-B-179038	SC-DL-248775	SYMBOL	DESCRIPTION	DATE	APPROVAL
				A2	A1 - ADDED NOTE 2. A2 - ADDED APPL SM-B-179038, SC-DL-248775.	1 OCT. 59	42428-PC-59-A1-51 REV'D. PME

(A2)



NOTES:

- 1. - ALUMINUM ALLOY 5052 TEMPER H32 PER SPEC QQ-A-318.
- (A1) 2. - FINISH: E 513 PER SPEC MIL-F-14072.

NOTE:  
 FOR INFORMATION ONLY,  
 CONTRACTOR MAY AT HIS  
 OPTION DEVIATE FROM  
 THESE PROCESS DETAILS

UNLESS OTHERWISE SPECIFIED	AUTHENTICATION	BRACKET	
DIMENSIONS ARE IN INCHES	DRAWN 21552-PH	DEPARTMENT OF THE ARMY SIGNAL CORPS ENGINEERING LABORATORIES FORT MONMOUTH NEW JERSEY <b>SM-B-179039</b>	
TOLERANCES ON FRACTIONS $\pm \frac{1}{64}$	TRACED PHOTO		
DECIMALS $\pm .005$	CHECKED		
ANGLES $\pm$	VERIFIED P.D.B.R.		
COMMERCIAL TOLERANCES APPLY TO STOCK SIZES	APPROVED P.D.B.R.		
ALL SURFACES $\checkmark$	REVIEWED PME		
	DATE 8-JULY-59	SCALE 1/1	FINISH 80-585