

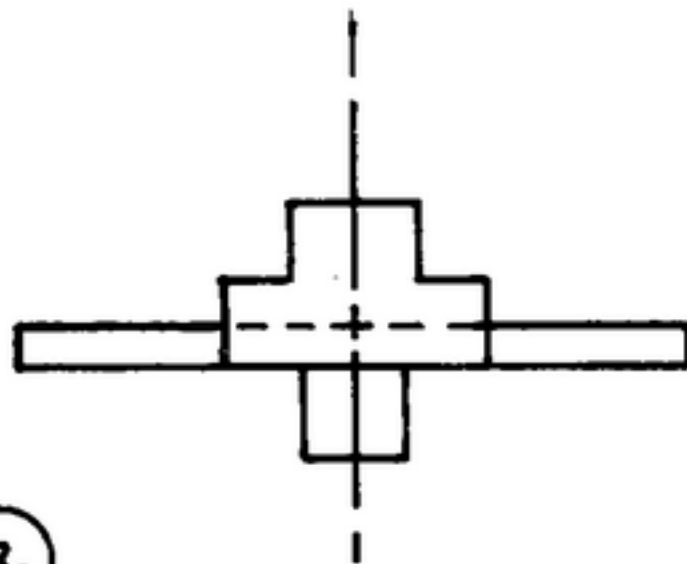
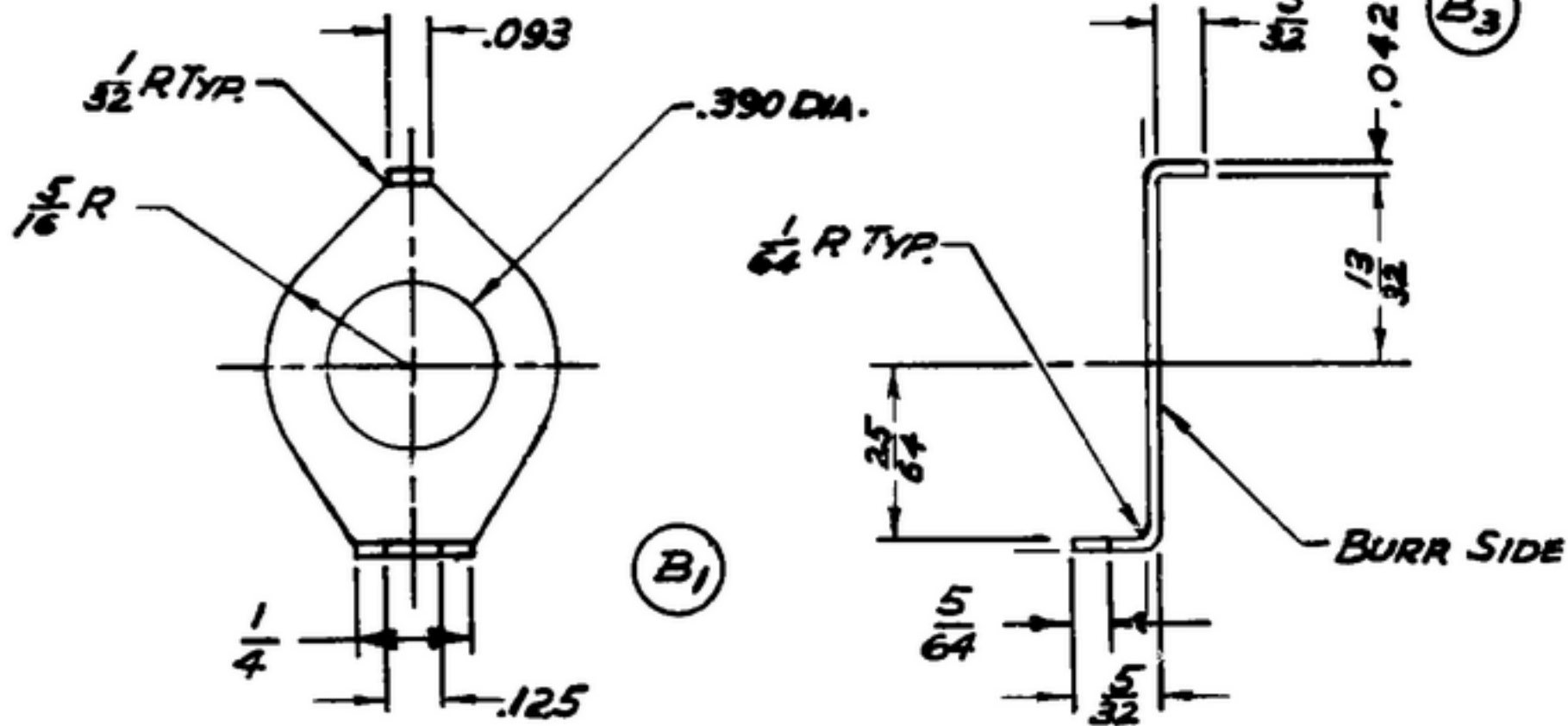
20.3 DR.

1.1

506-1774 002 R-391

NOTICE: When Government drawings, specifications, or other data are used for any purpose other than in connection with a definitely related Government procurement operation, the United States Government thereby incurs no responsibility or any obligation whatsoever and the fact that the Government may have furnished, furnished, or in any way supplied the said drawings, specifications, or other data is not to be regarded by implication or otherwise as in any manner licensing the holder or any other person or corporation, or conveying any rights or permission to manufacture, use or sell any patented invention that may in any way be related thereto.

NEXT ASSEMBLY		USED ON		REVISIONS		
SYM	DESCRIPTION	DATE	APPROVAL			
SM-D-179029 SC-DL-178467						
SM-D-249134 SC-DL-248775						
<b>A<sub>2</sub></b>	<b>A<sub>1</sub> - NOTE 1 WAS "COMP G" ADDED FINISH</b> <b>NOTE;</b> <b>A<sub>2</sub> - ADDED APPL. SM-D-249134, SC-DL-248775</b>	19 OCT. 59	4242B-PC-59-A1-51	REV'D.		
<b>B<sub>3</sub></b>	<b>B<sub>1</sub> - 1/4 AND 5/64 DIMENSIONS ADDED.</b> <b>B<sub>2</sub> - BOTTOM VIEW ADDED.</b> <b>B<sub>3</sub> - .042 MATERIAL THICKNESS WAS .031</b>	7 APRIL 60	4242B-PC-59	REV'D. PME		



SCALE: 4/1

NOTES:

- A<sub>1</sub>** 1. STEEL COMP. 302 COND ANNEALED, PER SPEC. MIL - S - 5059.
- 2. FINISH: E 300 PER MIL - F - 14072

NOTE:

\*FOR INFORMATION ONLY, CONTRACTOR MAY AT HIS OPTION DEVIATE FROM THESE PROCESS DETAILS

UNLESS OTHERWISE SPECIFIED	AUTHENTICATION	STOP	DEPARTMENT OF THE ARMY
DIMENSIONS ARE IN INCHES	DRAWN 21.052-PA 50-99	<b>STOP</b>	SIGNAL CORPS ENGINEERING LABORATORIES FORT MONMOUTH NEW JERSEY
TOLERANCES ON FRACTIONS ± 1/64	TRACED PHOTO		
DECIMALS ± .005	CHECKED <i>[Signature]</i>		
ANGLES ±	VERIFIED P.D.B.R.		
COMMERCIAL TOLERANCES APPLY TO STOCK SIZES	APPROVED P.D.B.R.		
ALL SURFACES ✓	REVIEWED PME	SCALE 2/1	FINISH
	DATE 17 JUN - 53		<b>SM-B-179031</b>

WHEN REFERRING TO THIS DRAWING: STATE DRAWING NO., APPLICABLE ISSUE SYMBOL AND DATE