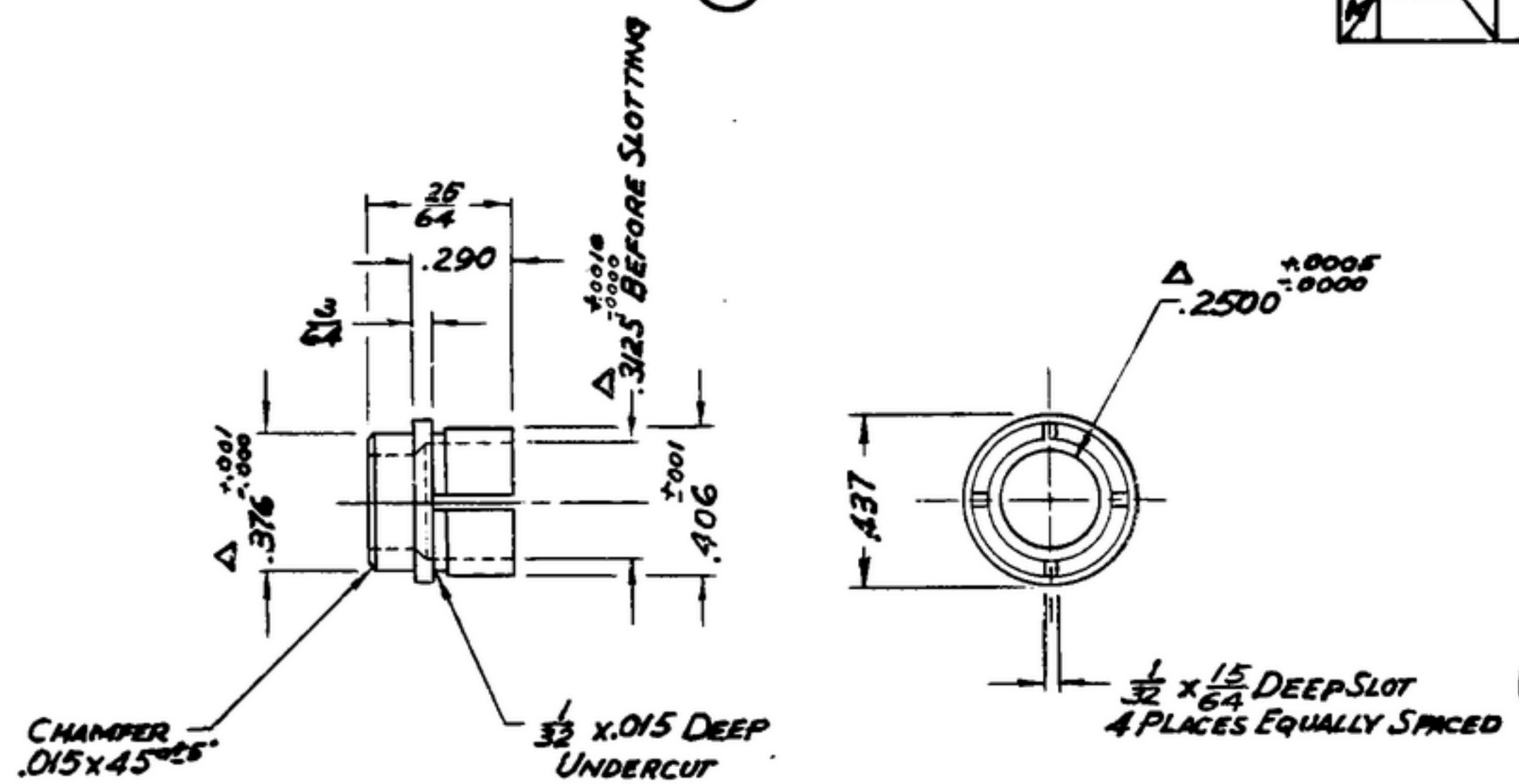


1.5

506-1887 002f

NOTICE: When Government drawings, specifications, or other data are used for any purpose other than in connection with a definitely related Government procurement operation, the United States Government thereby incurs no responsibility or any obligation whatsoever; and the fact that the Government may have furnished, furnished, or in any way supplied the said drawings, specifications, or other data is not to be regarded by implication or otherwise as in any manner licensing the holder or any other person or corporation, or conveying any rights or permission to manufacture, use or sell any patented invention that may in any way be related thereto.

NEXT ASSEMBLY		USED ON		REVISIONS			
SYM	DESCRIPTION	DATE	APPROVAL				
SM-B-178912	SC-DL-178467		SWE * APPROVAL				
SM-B-178912	SC-DL-248775	8 OCT. 59	S Y M 10042-4	A3	A1-15/64 WAS 9/32, A2 - WAS AN-S-771; A3-ADDED APPL. SM-B-178912, SC-DL-248775.	42428-PC-59-A1-31	REV'D. PME



STEEL, COMPRESS COND B, PER SPEC. MIL-S-7720. (A2)

1-ECCENTRICITY BETWEEN DIAMETERS MARKED Δ ON SAME CENTERLINE SHALL NOT EXCEED .002 TIR.

2-SLIGHT BURRS PERMISSIBLE IN 1/32 SLOTS-ALL OTHER BURRS TO BE REMOVED.

NOTE:  
FOR INFORMATION ONLY,  
CONTRACTOR MAY AT HIS  
OPTION DEVIATE FROM  
THESE PROCESS DETAILS

UNLESS OTHERWISE SPECIFIED	AUTHENTICATION	DESCRIPTION	DATE	BY	NOTE
DIMENSIONS ARE IN INCHES	DRAWN 21852-PH-50-98	<b>HUB</b>			
TOLERANCES ON FRACTIONS ± 1/64	TRACED PHOTO				
DECIMALS ± .005	CHECKED <i>RK</i>				
ANGLES ±	VERIFIED P.D.B.R.				
COMMERCIAL TOLERANCES APPLY TO STOCK SIZES	APPROVED P.D.B.R.				
ALL SURFACES ✓	REVIEWED PME				
	DATE 18-JUN-1953	SCALE 2/1			

DEPARTMENT OF THE ARMY  
SIGNAL CORPS ENGINEERING LABORATORIES  
FORT MONMOUTH NEW JERSEY  
**SM-B-178914**