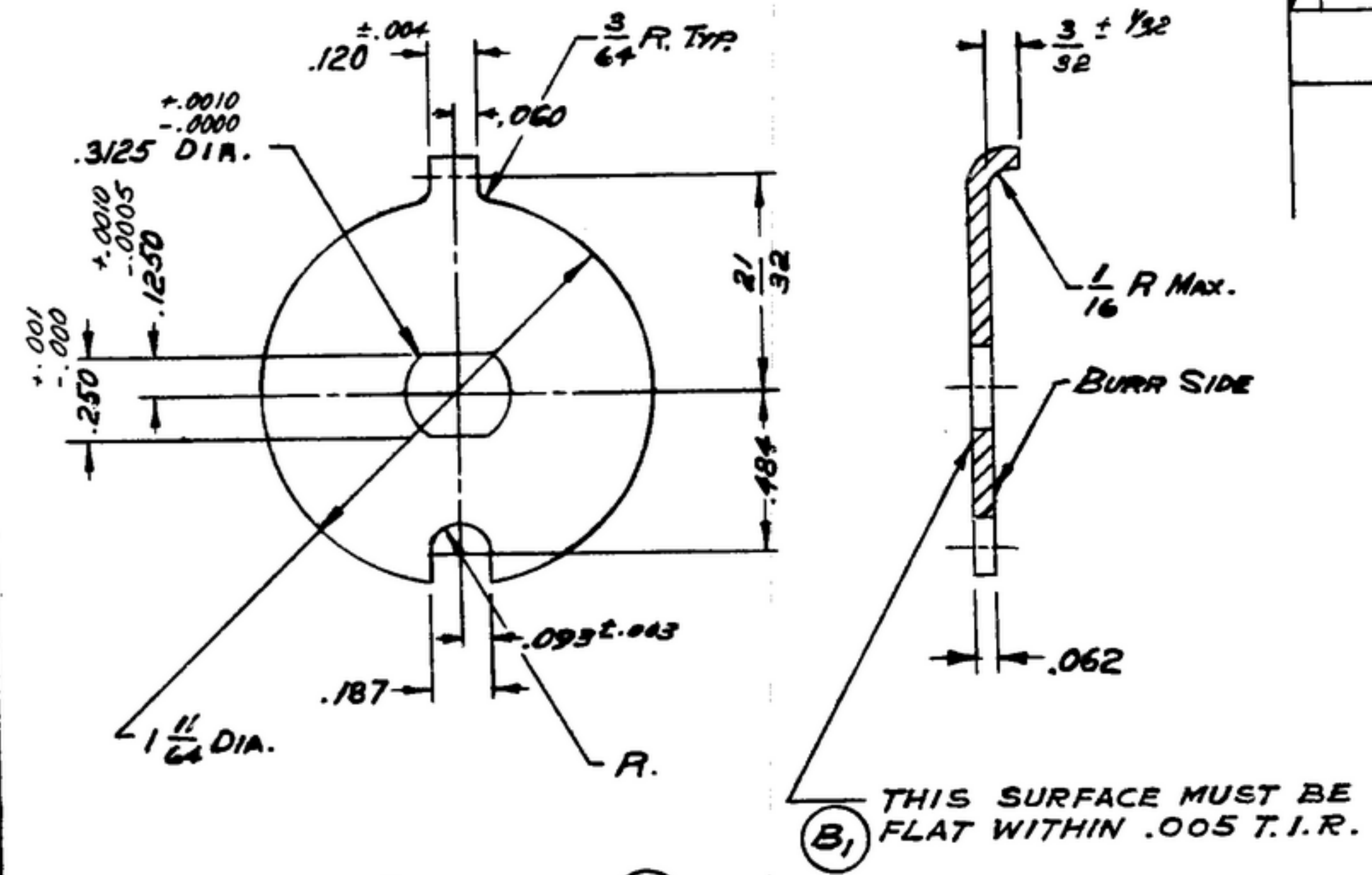


AS. J. PR

506-1871-002 R-391

NOTICE: When Government drawings, specifications, or other data are used for any purpose other than in connection with a definitely related Government procurement operation, the United States Government thereby incurs no responsibility or any obligation whatsoever; and the fact that the Government may have furnished, furnished, or in any way supplied the said drawings, specifications, or other data is not to be regarded by implication or otherwise as in any manner granting the holder or any other person or corporation, or conveying any rights or permission to manufacture, use or sell any patented invention that may in any way be related thereto.

NEXT ASSEMBLY	USED ON	SWE *	REVISIONS	DATE	APPROVAL
SM-D-178727	SC-DL-178467	APPROVAL	A ₁ - "COMP. 301" WAS "COMP. G" NOTE 2 WAS "PER MIL-P-12011; A ₂ - ADDED APPL. SM-C-248970, SC-DL-248775.	9 OCT. 59	42428-PC-59-A1-51 REV'D.
SM-C-248970	SC-DL-248775	S Y 10042- M 5			
	SC-DL-248775		B ₁ - ADDED NOTATION.	16 OCT. 60	42428-PC-59 REV'D PME
	SC-DL-144500	CA B 84875	C ₁ - COND 1/4 H WAS COND 1/2 H.	24 AUG 64	15283-PP-63 REV'D EC-2



NOTES: (A₁) (C₁)
 1.- STEEL COMP. 301 COND 1/4 H. PER SPEC. MIL-S-5059.
 2.- FINISH E-300 PER MIL-F-14072.

NOTE:
 *FOR INFORMATION ONLY, CONTRACTOR MAY AT HIS OPTION DEVIATE FROM THESE PROCESS DETAILS

REQD.	PART NO.	DESCRIPTION	AMT.	SPEC.	NOTE
		DISC			

UNLESS OTHERWISE SPECIFIED	AUTHENTICATION
DIMENSIONS ARE IN INCHES	DRAWN 21832-PH
TOLERANCES ON FRACTIONS ± 1/64	50-93
DECIMALS ± .005	TRACED PHOTO
ANGLES ±	CHECKED <i>[Signature]</i>
COMMERCIAL TOLERANCES APPLY TO STOCK SIZES	VERIFIED PDR
ALL SURFACES ✓	APPROVED PDR
	REVIEWED PME
	DATE 30-JUNE-53

DEPARTMENT OF THE ARMY	SCALE 2/1
SIGNAL CORPS ENGINEERING LABORATORIES	SEE NOTES
PORT MONMOUTH NEW JERSEY	
SM-B-178729	

WHEN REFERRING TO THIS DRAWING STATE DRAWING NO., APPLICABLE ISSUE SYMBOL AND DATE