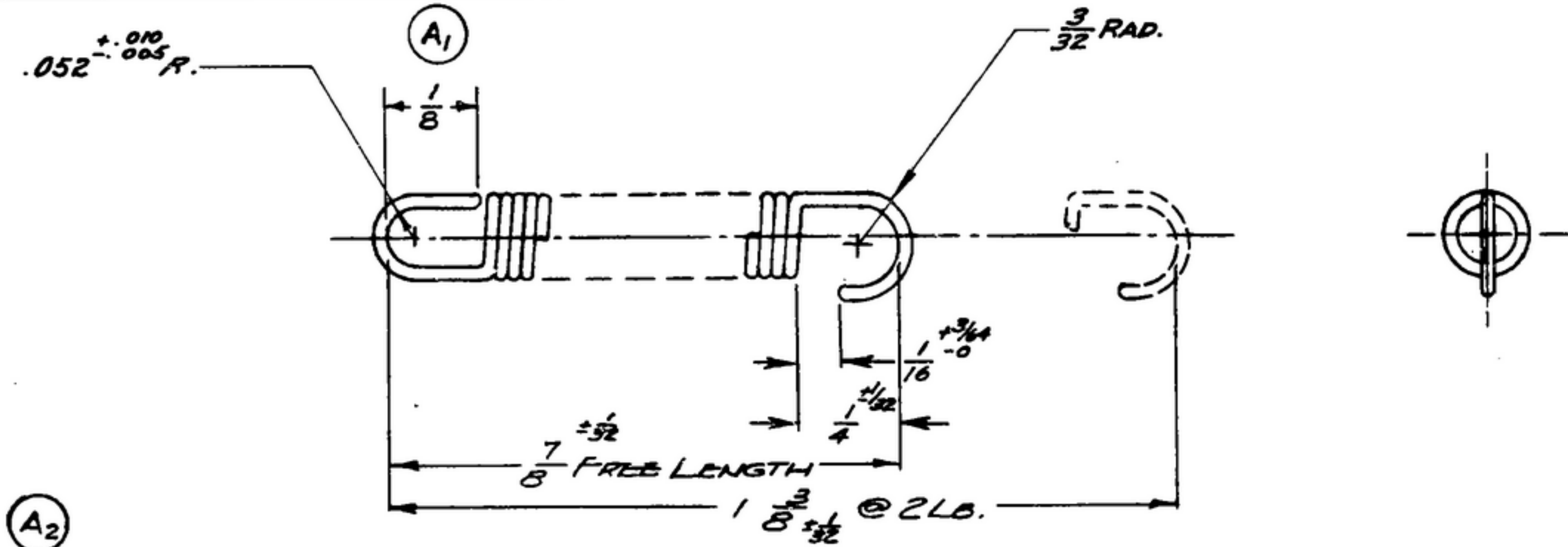


306-843-888-R-391

NOTICE: WHEN GOVERNMENT DRAWINGS, SPECIFICATIONS, OR OTHER DATA ARE USED FOR ANY PURPOSE OTHER THAN IN CONNECTION WITH A DEFINITELY RELATED GOVERNMENT PROCUREMENT OPERATION, THE UNITED STATES GOVERNMENT THEREBY INCURS NO RESPONSIBILITY NOR ANY OBLIGATION WHATSOEVER; AND THE FACT THAT THE GOVERNMENT MAY HAVE FORMULATED, FURNISHED, OR IN ANY WAY SUPPLIED THE SAID DRAWINGS, SPECIFICATIONS, OR OTHER DATA IS NOT TO BE REGARDED BY IMPLICATION OR OTHERWISE AS IN ANY MANNER LICENSING THE HOLDER OR ANY OTHER PERSON OR CORPORATION, OR CONVEYING ANY RIGHTS OR PERMISSION TO MANUFACTURE, USE, OR SELL ANY PATENTED INVENTION THAT MAY IN ANY WAY BE RELATED THERETO.

NOTE:
*FOR INFORMATION ONLY, CONTRACTOR MAY AT HIS OPTION DEVIATE FROM THESE PROCESS DETAILS

* SWE APPROVAL		REVISIONS			
SYM	PR 10042-6	SYM	DESCRIPTION	DATE	APPROVAL
A4			A1-ADDED 1/B DIM. A2-RENUMBERED NOTES AND ADDED FINISH NOTE. A3-ADDED APPL. SM-D-248054, SC-DL-248775; A4-ADDED COMP. 302, COND. B TO QQ-W-423.	15 OCT 59	42428-PC-59-A1-51 REV'D. PME



- NOTES:
- 1.- WIRE, STEEL, CORROSION RESISTING, COMP. 302 COND B, PER SPEC. QQ-W-423.
 2. FINISH E 300 PER MIL-F-14072.
 - 3.- MEAN DIAMETER - .125
 - * No. Of COILS - 26.5
 - 4- LB PER INCH DEFLECTION.
 - CLOSE WOUND - NO INITIAL TENSION
 - FIBER STRESS @ 2 LB SHALL NOT EXCEED 80,000 LBS
 - * WIRE DIAMETER - .020
 - EQUAL LONG ROUND ENDS; LOOPS OVER CENTER.
 - 4: DIRECTION OF WIND OPTIONAL.
 - DIMENSIONS MARKED * ARE REFERENCE DIMENSIONS AND ARE NOT BINDING.
 - 5: CLOSE ONE END AS SHOWN.

QTY	PART NO.	DESCRIPTION	UNIT	MAX. QTY
LIST OF MATERIAL				

A3	UNLESS OTHERWISE SPECIFIED		AUTHENTICATION		SPRING	SIGNAL CORPS ENGINEERING LABORATORIES PORT MONMOUTH NEW JERSEY
	DIMENSIONS ARE IN INCHES		DRAWN 21852-PH-58-93			
	TOLERANCES ON		TRACED PHOTO			
	FRACTIONS DECIMALS ANGLES		CHECKED <i>[Signature]</i>			
	±1/64		VERIFIED PD BR			
SM-D-248854	SC-DL-248775	APPROVED PD BR		SM-B-178508		
SM-D-178503	SC-DL-178467	REVIEWED PME				
NEXT ASSY	USED ON	DATE 19-Oct-53	SCALE 4/1			
APPLICATION						