

3294WD

REVISIONS

ISSUE	DATE	AUTH. NO.
Q	3-30-60	28-12924
R	4-21-60	28-12936
S18	10-12-60	28-14077
719	4-15-61	68761-33
M20	4-26-61	69589
21	3-28-62	69768-33
22	11-26-63	78875
23	2-11-64	79910
24	8-28-64	82637

SHEET 1 OF 6

SCHMATIC WIRING DIAGRAM FOR MODEL 28 ASR-GP-OPT 1 AC WITH FACILITIES PROVIDED BY ELECT. SERVICE UNIT LESU13 AND ASSOCIATED UNITS

APPROVALS

D AND R E OF M
HAK *[Signature]*

E-NUMBER

PROD. NO. 3294WD

DATE 11-17-59

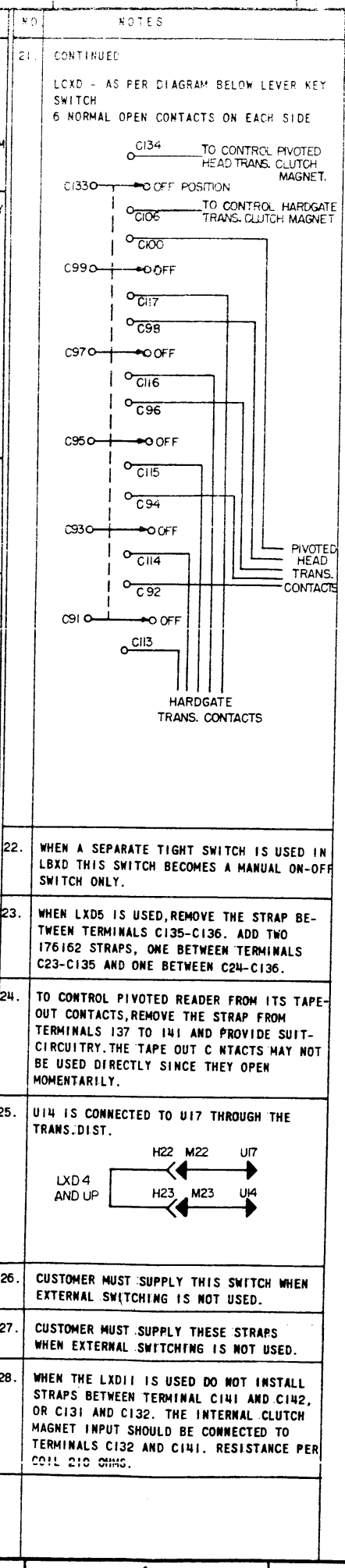
R.D. FILE NO. 27-465AA

DRAWN A.C. CHD.

ENGD. APPD.

TELETYPE CORPORATION

3294WD



10. A. TO OPERATE MOTOR CONTROL SET MUST BE EQUIPPED WITH EITHER
 1. TIME DELAY MECH. OR
 2. MOTOR STOP CONTACTS

B. IF TAPE POSITION IS TO BE USED IN THE ASR SET THE TIME DELAY MECHANISM MUST BE EITHER ELECTRICALLY OR MECHANICALLY DISABLED.

11. A. LINE SHUNT RELAY SHOWN CONTROLLED BY POWER SWITCH AND SHOWN SHUNTING LINE RELAY COIL, TRANS. DIST. SIG. GENERATOR AND KEYBOARD SIG. GEN.

B. IF KEYBOARD SHUNTING IS NOT DESIRED MOVE STRAP FROM C10 TO C9.

C. FOR DIRECT CONTROL OF LINE SHUNT RELAY FROM POWER SWITCH, ADD DASHED (---) CONNECTIONS AND OMIT CONN. MARKED (*) AT CABINET TERMINALS C34, C35, C37. CUSTOMER MAY THEN SELECT PORTION OF SIG. LINE CKT. TO BE SHUNTED BY CONNECTING TERM. C13 TO EITHER C9, C10, C11, C15.

12. CIRCUIT SHOWS BOTH HORIZONTAL TABULATOR AND FORM START CONTROL USED ON TYPING UNIT. WHEN ONLY ONE CONTROL IS USED, OMIT CONNECTION MARKED (*) AND ADD PROPER DASHED (---) CONNECTION IN TYPING UNIT CIRCUITS.

13. FORM PAPER OUT ALARM CONTACTS MAY BE MOUNTED ON EITHER THE TYPING UNIT OR EXTERNAL TO THE CABINET. IN LATTER EVENT, CONNECTIONS ARE MADE DIRECTLY TO TERMINALS C25 AND C26.

14. WHEN PAPER FEED OUT SWITCH IS NOT USED DISCONNECT MOTOR LEAD FROM AG3 AND CONNECT TO AG1.

15. WHEN SIGNAL LINE BREAK SWITCH IS NOT USED IN KEYBOARD ADD DASHED (---) CONNECTION AT CABINET TERMINAL BLOCK BETWEEN C10 AND C11.

16. IN ALL TRANS. DIST. U14 MUST BE CONNECTED TO U17 EXCEPT FOR LXD4 AND UP. (SEE NOTE 25)

17. IN ALL KEYBOARDS F4 MUST BE CONNECTED TO F7. IN ALL TYPING UNITS R14 MUST BE CONNECTED TO R17.

18. SPARE LEADS FROM U18 AND F18 ARE RESERVED FOR POLAR OPERATION OF SIGNAL GENERATOR.

19. CIRCUIT SHOWN FOR 115V DC POWER INPUT TO TRANS. DIST. CLUTCH MAGNETS. FOR 48V DC POWER INPUT MOVE WIRE CONNECTIONS AS FOLLOWS:

UNIT	WIRE INVOLVED	MOVE CONN. FROM TO
LAXD	C81 TO V6	V6 V5
LCXD	C142 TO V3	V3 V2
LBXD	A13 TO V6	V6 V5
	A6 TO V3	V3 V2

POWER SUPPLY MUST DELIVER 300MA @ 48V DC OR 200MA @ 115V DC.

20. USE APPROPRIATELY LABELED LXD, LAXD, LBXD OR LCXD CIRCUITRY AND MAKE CONN. AS SHOWN.

21. CUSTOMER MUST SUPPLY EXTERNAL SWITCHING AS FOLLOWS:

LXD	- NONE
LAXD	- BETWEEN C133 AND C134 TO CONTROL TRANS. CLUTCH MAGNET
LBXD	- NONE

(CONTINUED)

1. FOR ACTUAL WIRING DIAGRAMS OF INDIVIDUAL UNITS SEE:

WD NO.	UNITS DIRECTLY OPERABLE WITH LESU
3264WD	CABINETS-LAAC209, 210
3292WD	ELECTRICAL SERVICE UNIT LESU13
3302WD	KEYBOARDS-LAK4
2900WD	MOTOR UNITS-LMU12 OR 14
2864WD	PAGE TYPING UNITS-LP
3300WD	TRANSMITTER DISTRIBUTOR-LXD3
3288WD	TRANSMITTER DISTRIBUTOR-LAXD 3 & LCXD1
3261WD	TRANSMITTER DISTRIBUTOR-LBXD5
3452WD	TRANSMITTER DISTRIBUTOR BASE -LCXB7

2. LEGEND:

- O A SELECTOR MAGNET TERMINAL BLOCK (IN LESU)
- O B LINE TEST KEY TERMINAL BLOCK (IN LESU)
- O C CABINET TERMINAL BLOCK
- O D MOTOR CONTROL TERMINAL BLOCK (IN LESU)
- O E POWER TERMINAL BLOCK (IN LESU)
- ◀ F KEYBOARD CONNECTOR
- O J 1 TERMINAL STRIP (ON LINE RELAY ASSEMBLY IN LESU)
- ◀ J 2 LINE RELAY CONNECTOR (IN LESU)
- J 3 LINE RELAY FILTER (IN LESU)
- O K TERMINAL STRIP (ON LINE TEST KEY IN LESU)
- ◀ R TYPING UNIT CONNECTOR
- O S SLOW RELEASE RELAY TERMINAL BOARD (IN LESU)
- O T TEST SWITCH TERMINAL BOARD (IN LESU)
- ◀ U TRANSMITTER DISTRIBUTOR CONNECTOR
- O AG MOTOR TERMINAL BLOCK (ON LAK)
- O AH AUXILIARY SWITCH TERMINAL BLOCK (ON LAK)
- ◀ Z TRANSMITTER DISTRIBUTOR CONN (LBXD).

3. DOT DASH (---) LINES INDICATE FILTERING, SHIELDING AND SUPPRESSION NETWORKS.

4. ALL APPARATUS IS SHOWN IN UNOPERATED OR DE-ENERGIZED POSITION.

5. A. RESISTANCE IN OHMS (Ω)
 B. INDUCTANCE VALUES IN MICROMHENS (MH)
 C. CAPACITANCE VALUES IN MICROFARADS (MF)

6. CIRCUITS SHOWN FOR .060 AMP. NEUTRAL SIGNAL LINE OPERATION, FOR .020 AMP. LINE CURRENT, ADD DASHED (---) CONNECTIONS AND OMIT CONNECTIONS MARKED (*) IN LINE TEST KEY, AND LINE RELAY CIRCUITS.

7. USE POWER & SIGNAL LINE SUPPRESSOR AND SYNC. OR GOV.-FILT. MOTOR FOR INSTALLATIONS REQUIRING MINIMUM R.F. INTERFERENCE. FOR OTHER INSTALLATIONS OMIT SUPPRESSORS AND CONNECT INPUTS AND GOV. MOTOR DIRECTLY TO TERMINALS SHOWN.

8. USE SYNCHRONOUS MOTOR ON REGULATED 60V (± 1%) AC POWER ONLY. GOVERNED MOTORS AND OTHER POWER CIRCUITS OPERABLE ON 50 TO 60V UNREGULATED AC.

9. RECTIFIER SHOWN CONTROLLED BY POWER SWITCH. FOR CONTINUOUS OPERATION, MOVE RECTIFIER LEAD L2 FROM E2 TO E1.

NO. NOTES

1. FOR ACTUAL WIRING DIAGRAMS OF INDIVIDUAL UNITS SEE:

2. LEGEND:

3. DOT DASH (---) LINES INDICATE FILTERING, SHIELDING AND SUPPRESSION NETWORKS.

4. ALL APPARATUS IS SHOWN IN UNOPERATED OR DE-ENERGIZED POSITION.

5. A. RESISTANCE IN OHMS (Ω)
 B. INDUCTANCE VALUES IN MICROMHENS (MH)
 C. CAPACITANCE VALUES IN MICROFARADS (MF)

6. CIRCUITS SHOWN FOR .060 AMP. NEUTRAL SIGNAL LINE OPERATION, FOR .020 AMP. LINE CURRENT, ADD DASHED (---) CONNECTIONS AND OMIT CONNECTIONS MARKED (*) IN LINE TEST KEY, AND LINE RELAY CIRCUITS.

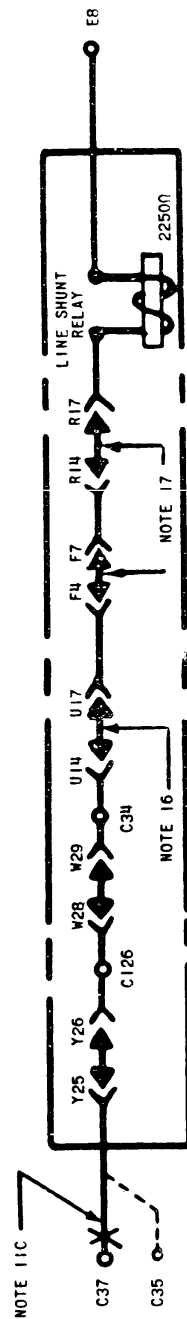
7. USE POWER & SIGNAL LINE SUPPRESSOR AND SYNC. OR GOV.-FILT. MOTOR FOR INSTALLATIONS REQUIRING MINIMUM R.F. INTERFERENCE. FOR OTHER INSTALLATIONS OMIT SUPPRESSORS AND CONNECT INPUTS AND GOV. MOTOR DIRECTLY TO TERMINALS SHOWN.

8. USE SYNCHRONOUS MOTOR ON REGULATED 60V (± 1%) AC POWER ONLY. GOVERNED MOTORS AND OTHER POWER CIRCUITS OPERABLE ON 50 TO 60V UNREGULATED AC.

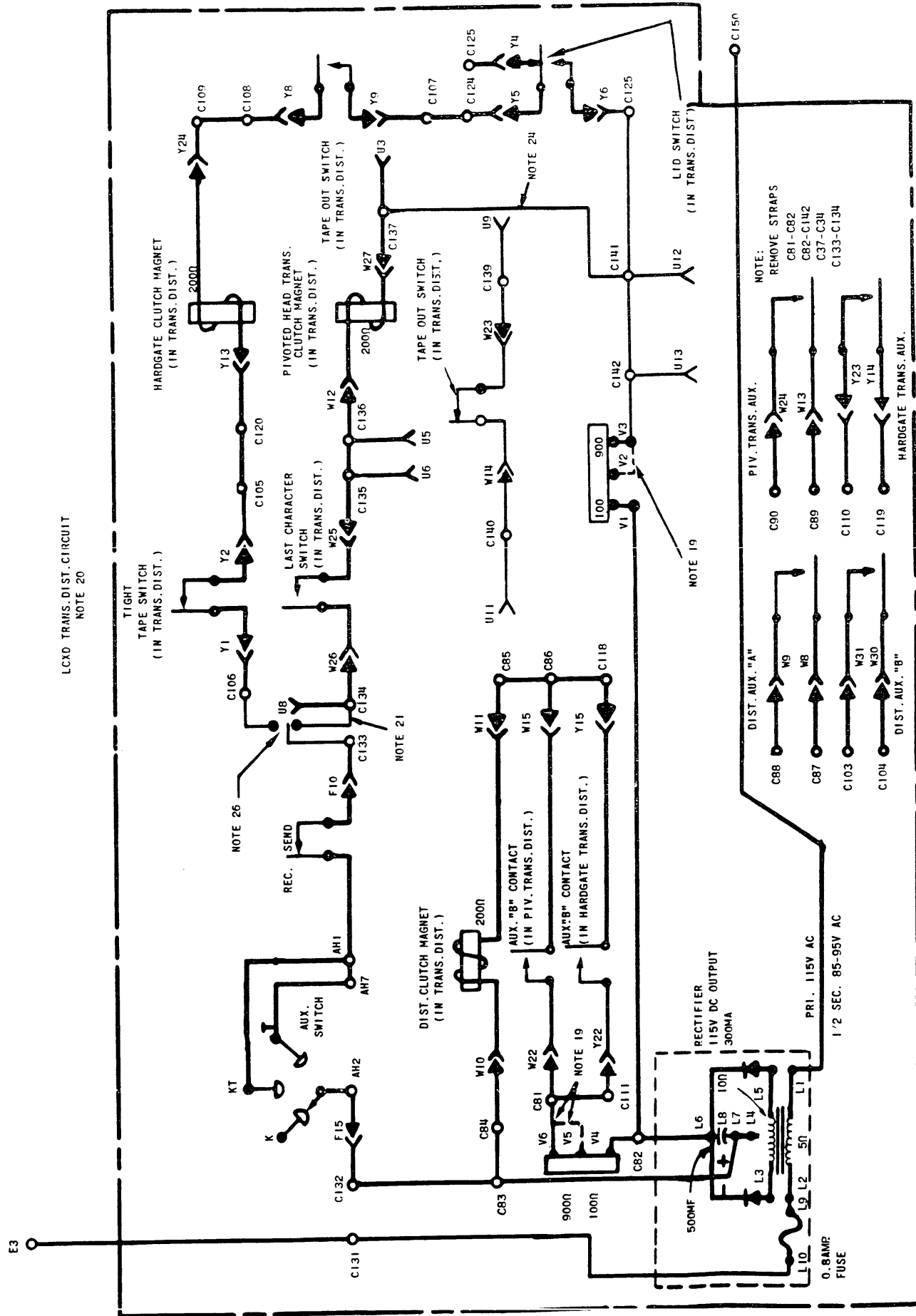
9. RECTIFIER SHOWN CONTROLLED BY POWER SWITCH. FOR CONTINUOUS OPERATION, MOVE RECTIFIER LEAD L2 FROM E2 TO E1.

REVISIONS		
ISSUE	DATE	AUTH. NO.
Q	3-30-60	28-12924
R	4-21-60	28-12936
S18	10-12-60	28-14077
T19		68761-33
W20		
21	3-28-62	69768-10
22	11-26-63	78875
23	2-11-64	79910
24	8-28-64	82637

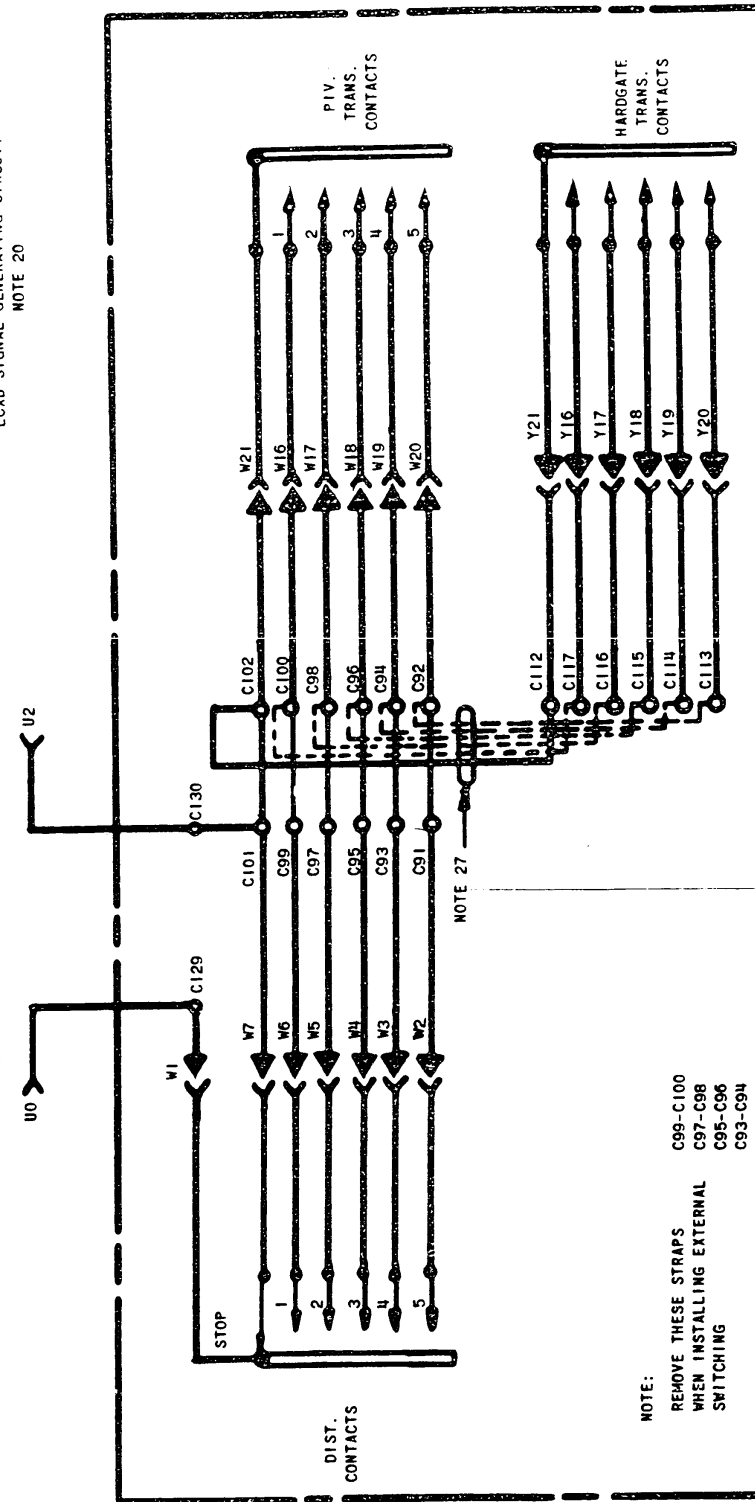
LCXD LINE SHUNT CIRCUIT
NOTE 20



LCXD TRANS. DIST. CIRCUIT
NOTE 20



LCXD SIGNAL GENERATING CIRCUIT
NOTE 20



NOTE:
REMOVE THESE STRAPS
WHEN INSTALLING EXTERNAL
SWITCHING
C99-C100
C97-C98
C95-C96
C93-C94
C91-C92

SCHEMATIC
WIRING DIAGRAM
FOR
MODEL 28
ASR-GP-OPT 1 AC
WITH FACILITIES
PROVIDED BY
ELECT. SERVICE UNIT
LESU13
AND ASSOCIATED
UNITS

APPROVALS

D AND R *[Signature]* E OF M *[Signature]*

E-NUMBER

PROD. NO. 3294WD

DATE 11-17-59

P.D. FILE NO. 27-A65AA

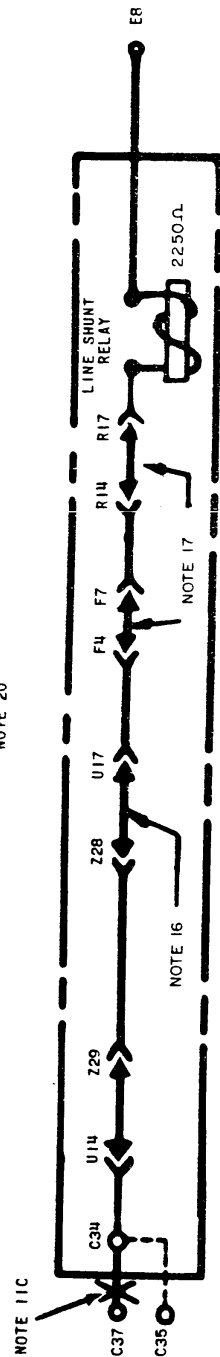
DRAWN A.C. CHKD.

ENGD. APPD.

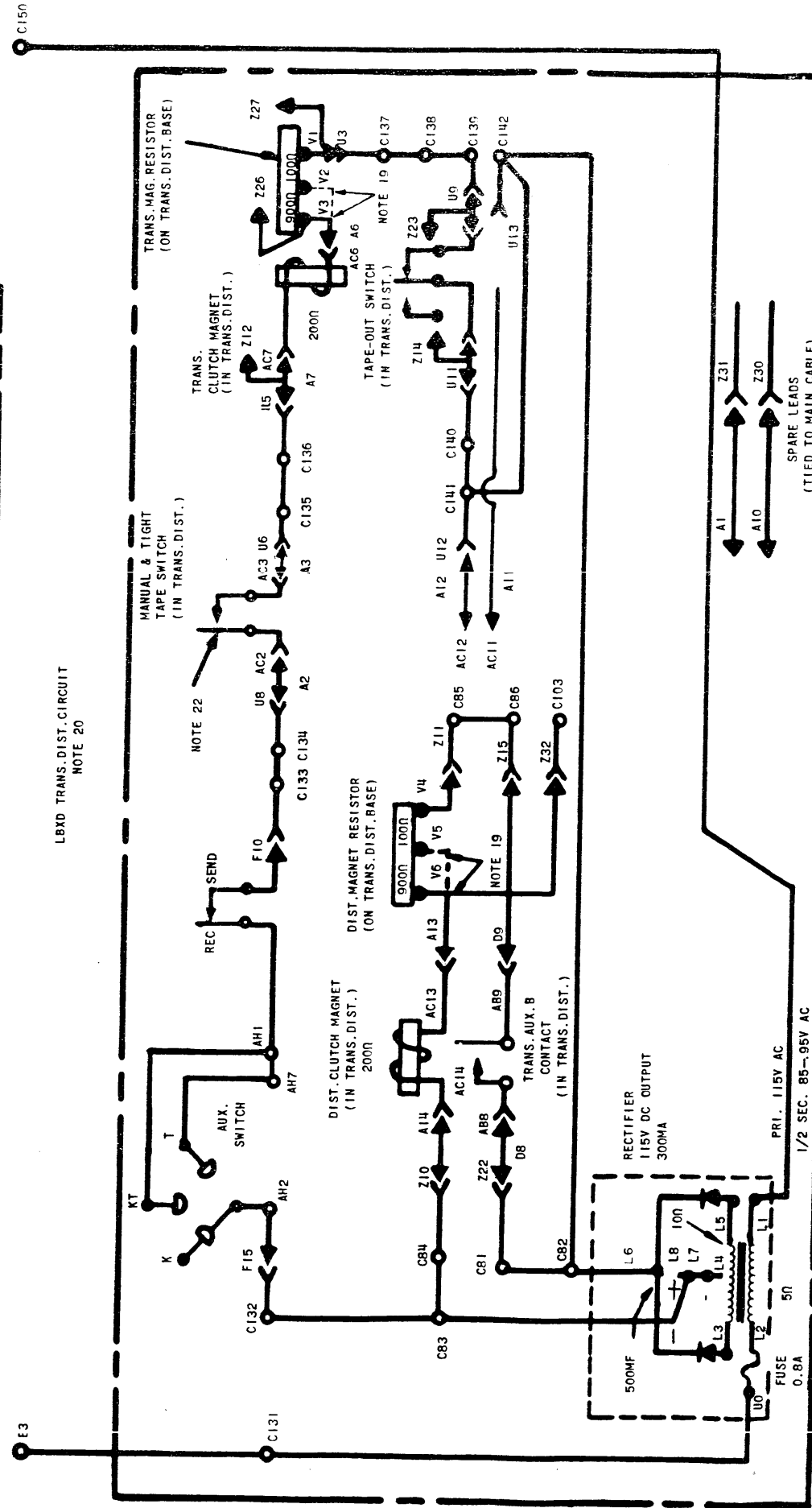
TELETYPE CORPORATION

LBXD

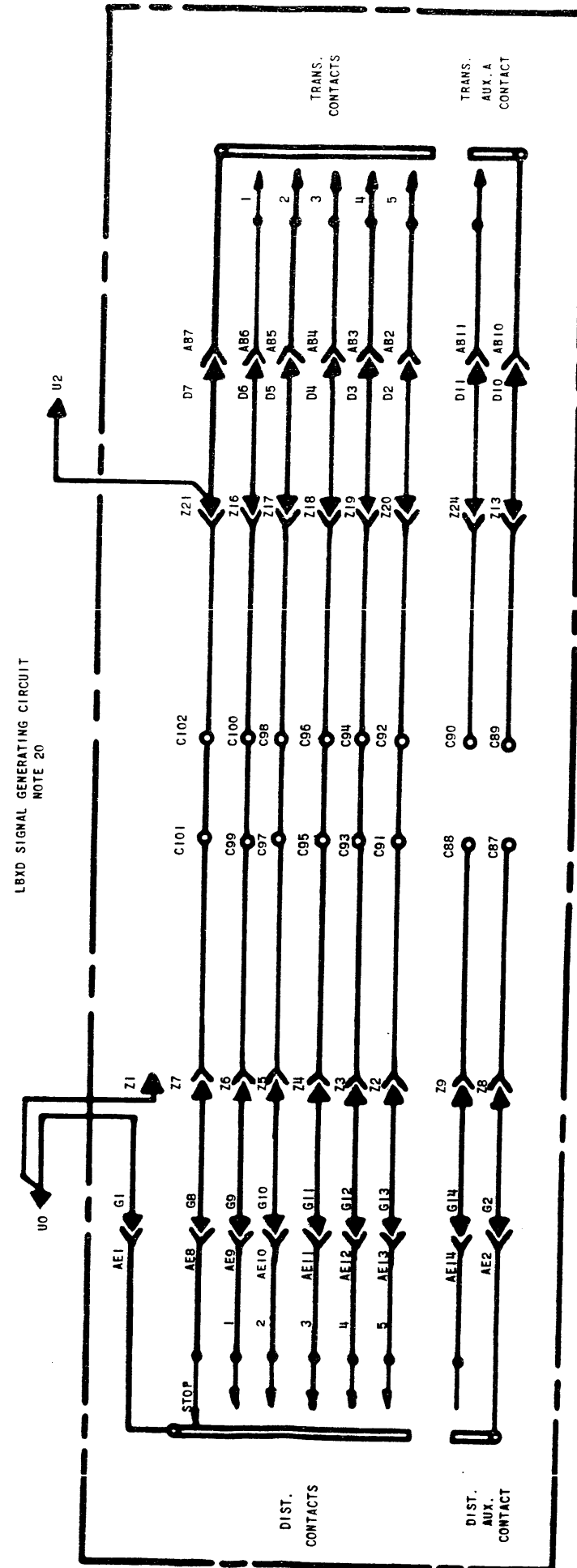
LBXD LINE SHUNT CIRCUIT
NOTE 20



LBXD TRANS. DIST. CIRCUIT
NOTE 20



LBXD SIGNAL GENERATING CIRCUIT
NOTE 20



3294 WD

REVISIONS

ISSUE	DATE	AUTH. NO.
Q	3-30-60	28-12924
R	4-21-60	28-12936
S1B	10-12-60	28-14077
719		68761-33
M20		
21	3-28-62	69768-10
22	11-26-63	78875
23	2-11-64	79910
24	8-28-64	82637

SHEET 3 OF 6

SCHEMATIC
WIRING DIAGRAM
FOR
MODEL 28
ASR-GP-OPT 1 AC
WITH FACILITIES
PROVIDED BY
ELECT. SERVICE UNIT
LESU13
AND ASSOCIATED
UNITS

APPROVALS

D AND R *HAK* E OF M *[Signature]*

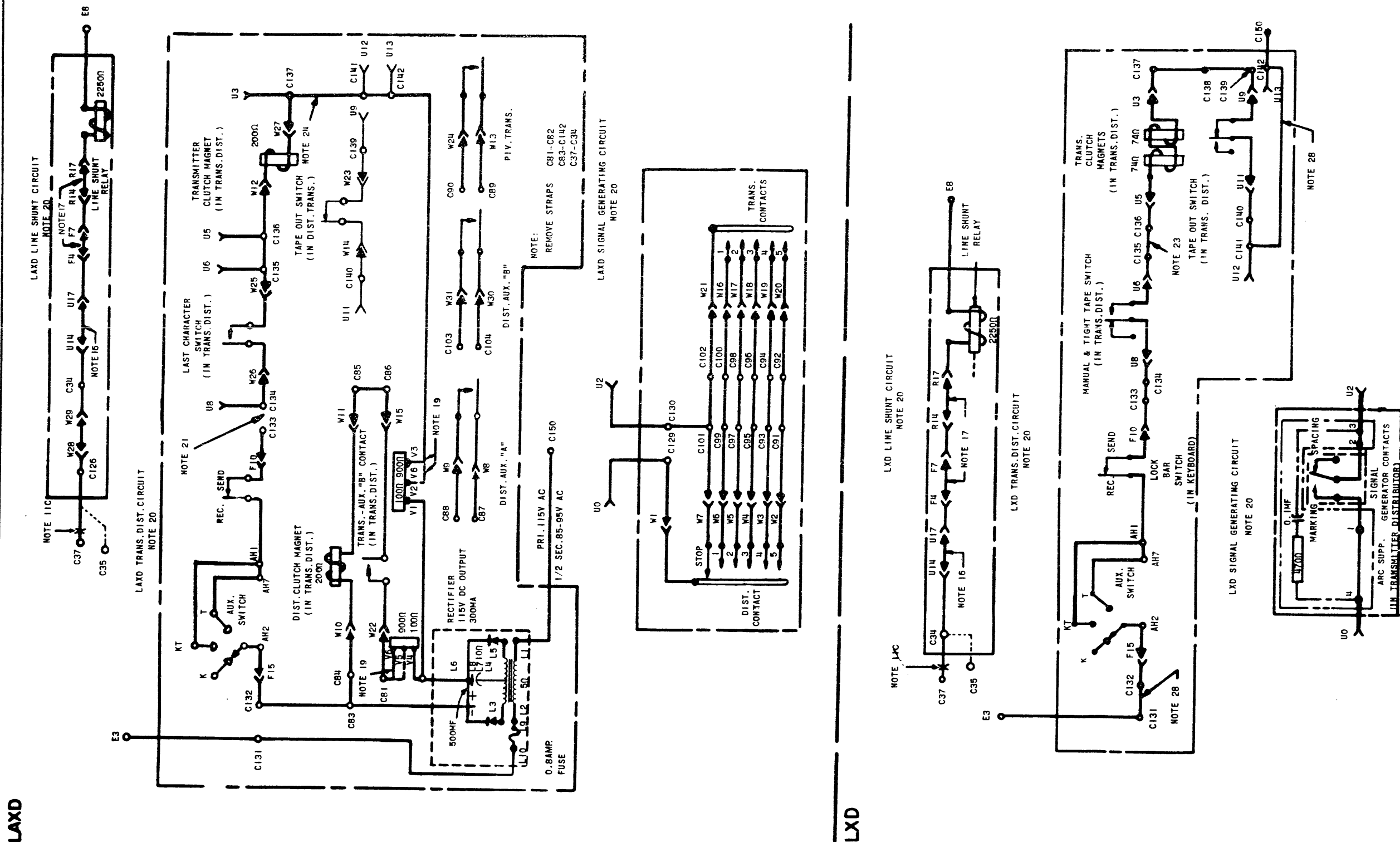
E-NUMBER
PROD. NO. 3294WD
DATE 11-17-59
P.D. FILE NO. 27-A65AA
DRAWN A.C. CHKD.
ENGD. APPD.

**TELETYPE
CORPORATION**

3294WD

REVISIONS

ISSUE	DATE	AUTH. NO.
Q	3-30-60	28-12924
R	4-21-60	28-12936
S18	10-12-60	28-14077
T19	4-5-61	68761-33
W20		
21	3-28-62	69768-10
22	11-26-63	78875
23	2-11-64	79910
24	8-28-64	82637



SHEET 4 OF 6

SCHEMATIC WIRING DIAGRAM FOR MODEL 28 ASR-GP-OPT I AC WITH FACILITIES PROVIDED BY ELECT. SERVICE UNIT LESU13 AND ASSOCIATED UNITS

APPROVALS

D AND R <i>HJK</i>	E OF M <i>✓</i>
-----------------------	--------------------

E-NUMBER

PROD. NO. 3294WD

DATE 11-17-59

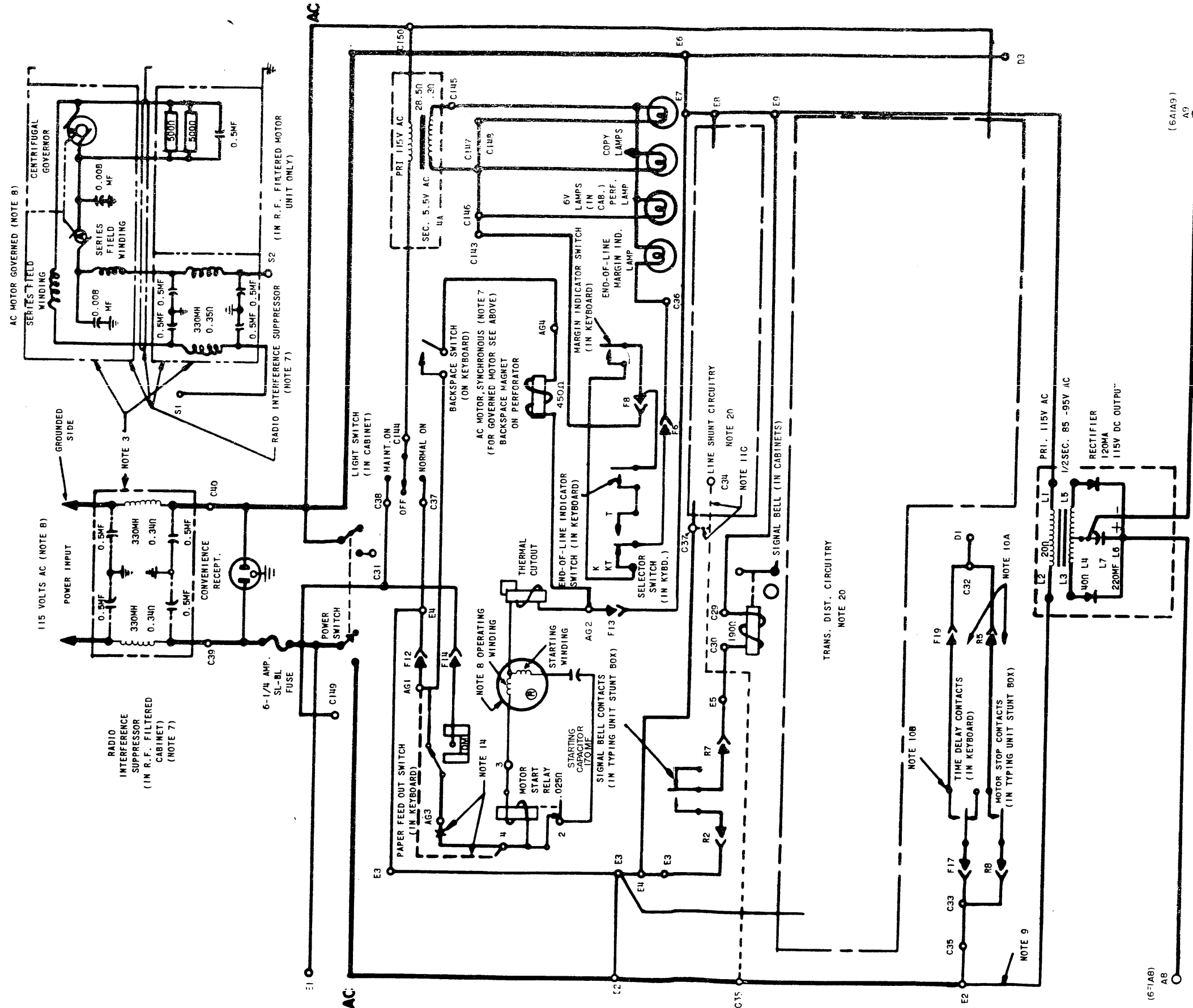
P.D. FILE NO. 27-A65AA

DRAWN A.C.	CHKD.
ENGD.	APPD.

TELETYPE CORPORATION

REVISIONS

ISSUE	DATE	AUTH. NO.
Q	3-30-60	28-12924
R	4-21-60	28-12936
S18	10-12-60	28-14077
T19	4--61	68761-33
W20		
21	3-28-62	69768-10
22	11-26-63	78875
23	2-11-64	79910
24	8-28-64	82637



SHEET 6

SHEET 5 OF 6

SCHEMATIC WIRING DIAGRAM FOR MODEL 28 ASR-GP-OPT 1 AC WITH FACILITIES PROVIDED BY ELECT. SERVICE UNIT LESU13 AND ASSOCIATED UNITS

APPROVALS

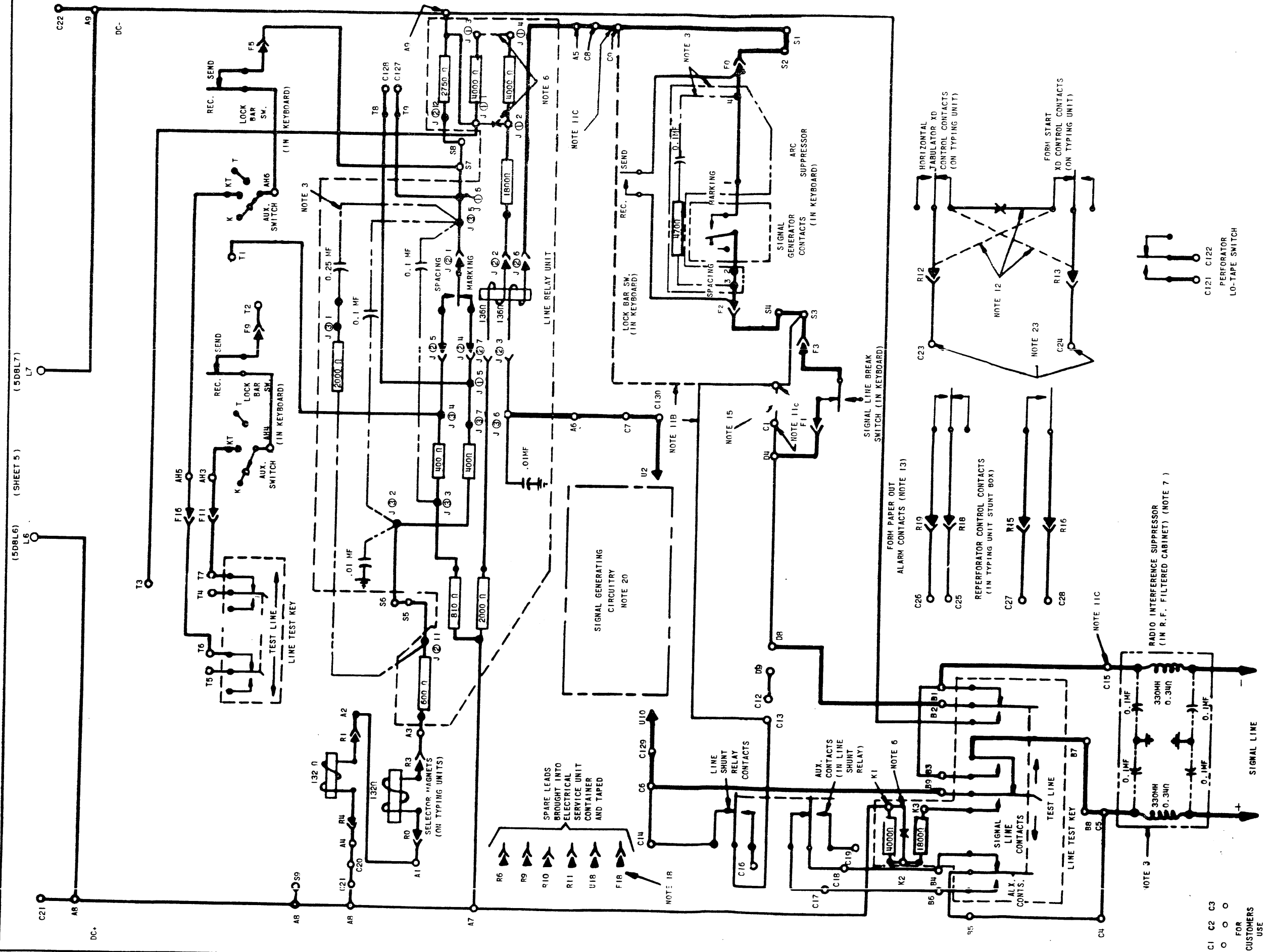
D AND R *HJK* E OF M *CR*

E-NUMBER
 PROD. NO. 3294WD
 DATE 11-17-59
 P.D. FILE NO. 27-A65AA
 DRAWN A. C. CHKD.
 ENGD. APPD.

TELETYPE CORPORATION

REVISIONS

ISSUE	DATE	AUTH. NO.
0	3-30-60	28-12924
R	4-21-60	28-12938
B18	10-12-60	28-18877
T19	4-61	68761-33
M20		
21	3-28-62	69768-10
22	11-26-63	78875
23	2-11-64	79910
24	8-28-64	82637



(5DBL6) (SHEET 5) L6

(5DBL7) L7

DC+

DC-

C1 C2 C3
O O O
FOR
CUSTOMERS
USE

SHEET 6 OF 6

SCHEMATIC
WIRING DIAGRAM
FOR
MODEL 28
ASR-GP-OPT I AC
WITH FACILITIES
PROVIDED BY
ELECT. SERVICE UNIT
LESU13
AND ASSOCIATED
UNITS

APPROVALS

D AND R E OF M
HGX ✓

E-NUMBER
PROB. NO. 3294WD
DATE 11-17-59
R.D. FILE NO. 27-A65AA
DRAWN A.C. CHKD.
REVD. APPR.

TELETYPE CORPORATION
3294 WD