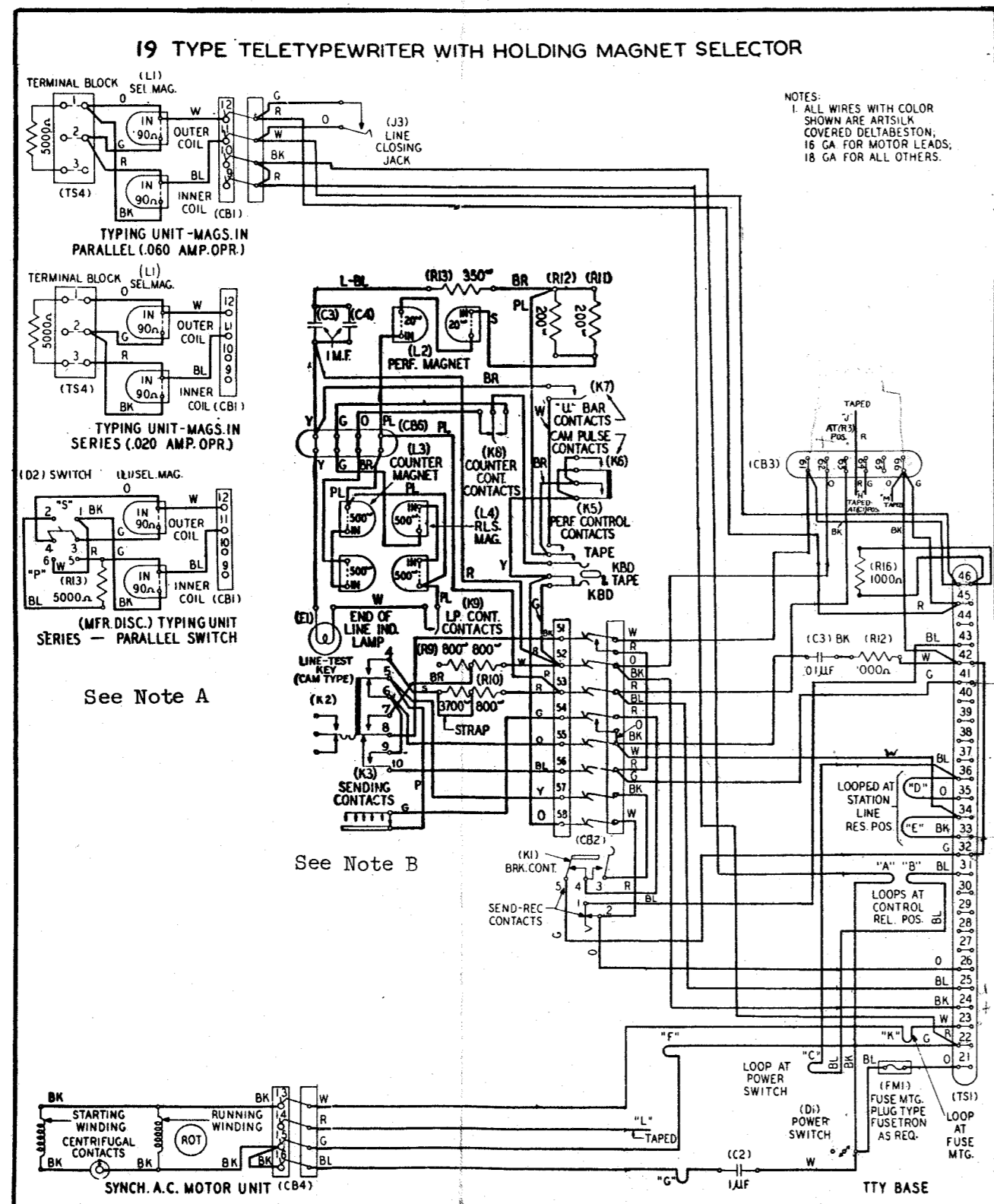
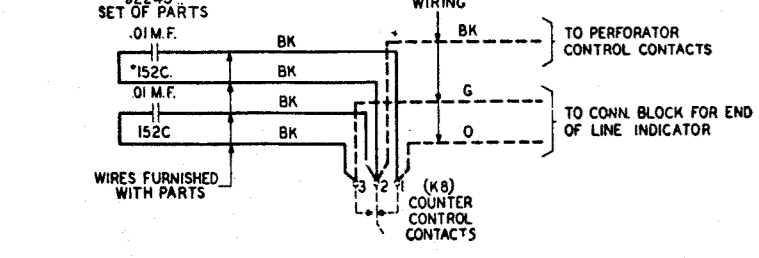
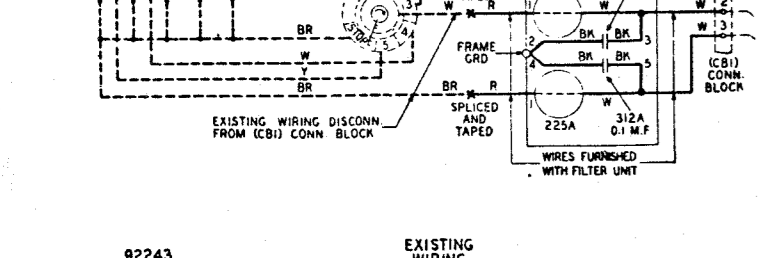
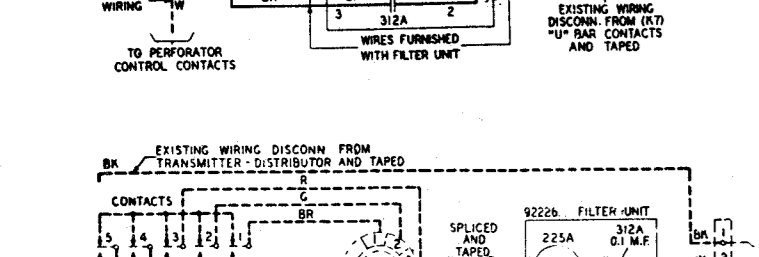
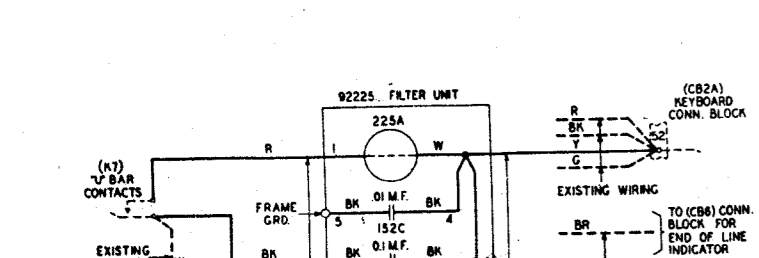
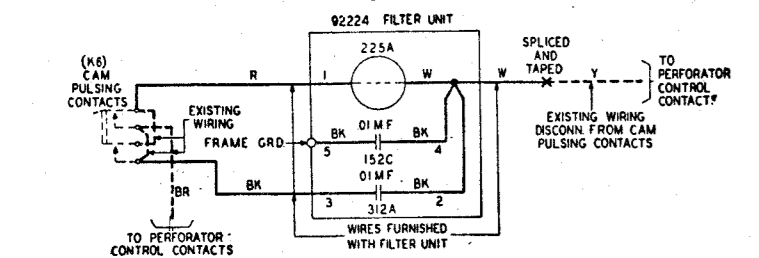


No. 14-A, B, H, J, Y, AE and AU Transmitter-Distributors (Synchronous Motor)



19 TYPE TELETYPEWRITER WITH HOLDING MAGNET SELECTOR

NOTES:
1. ALL WIRES WITH COLOR SHOWN ARE ARTISILK COVERED DELTASTEON. 18 GA. FOR MOTOR LEADS. 18 GA. FOR ALL OTHERS.

TERMINAL BLOCK (L1) SEL. MAG.

OUTER COIL (CBI)

INNER COIL (CBI)

TO PERFORMER CONTROL CONTACTS

TO PERFORMER CONTROL CONTACTS

TO PERFORMER CONTROL CONTACTS

TO PERFORMER CONTROL CONTACTS

TO PERFORMER CONTROL CONTACTS

TO PERFORMER CONTROL CONTACTS

TO PERFORMER CONTROL CONTACTS

TO PERFORMER CONTROL CONTACTS

TO PERFORMER CONTROL CONTACTS

TO PERFORMER CONTROL CONTACTS

TO PERFORMER CONTROL CONTACTS

TO PERFORMER CONTROL CONTACTS

TO PERFORMER CONTROL CONTACTS

TO PERFORMER CONTROL CONTACTS

TO PERFORMER CONTROL CONTACTS

TO PERFORMER CONTROL CONTACTS

TO PERFORMER CONTROL CONTACTS

TO PERFORMER CONTROL CONTACTS

TO PERFORMER CONTROL CONTACTS

TO PERFORMER CONTROL CONTACTS

TO PERFORMER CONTROL CONTACTS

TO PERFORMER CONTROL CONTACTS

TO PERFORMER CONTROL CONTACTS

TO PERFORMER CONTROL CONTACTS

TO PERFORMER CONTROL CONTACTS

TO PERFORMER CONTROL CONTACTS

TO PERFORMER CONTROL CONTACTS

TO PERFORMER CONTROL CONTACTS

TO PERFORMER CONTROL CONTACTS

TO PERFORMER CONTROL CONTACTS

TO PERFORMER CONTROL CONTACTS

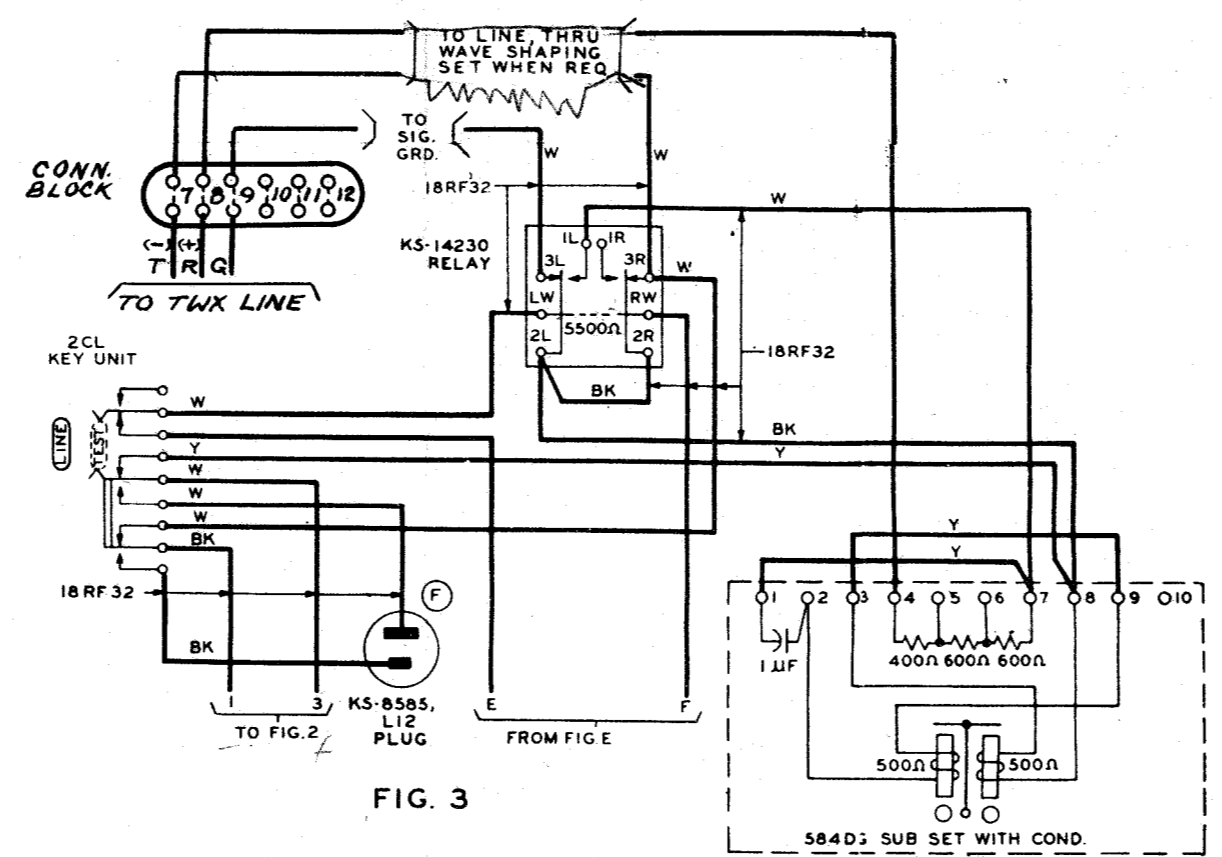
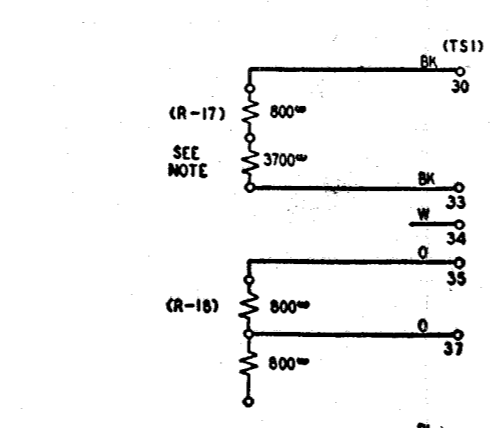


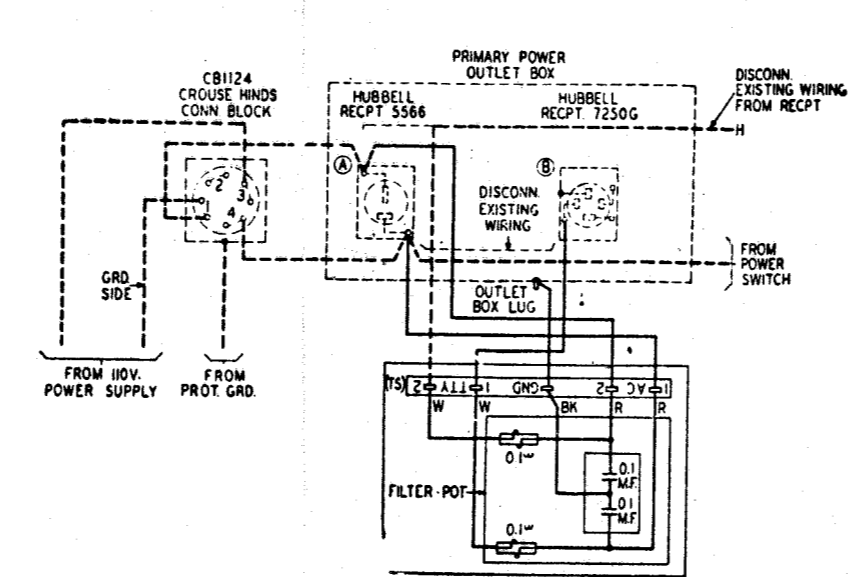
FIG. 3



COLOR	FROM	TO	CHANGE
BK	33	34	CUT LOOP AT 'E' AND CONN. 800Ω - 3700Ω RESISTOR
BK	34	34	MOVE FROM 34 TO 30
O	35	36	CUT LOOP AT 'D' AND CONN. 800Ω - 800Ω RESIS' OR
O	'D'	36	MOVE FROM 36 TO 37

NOTE
Strap out 3700 resistance for 3, 3A and 5 switchboards.

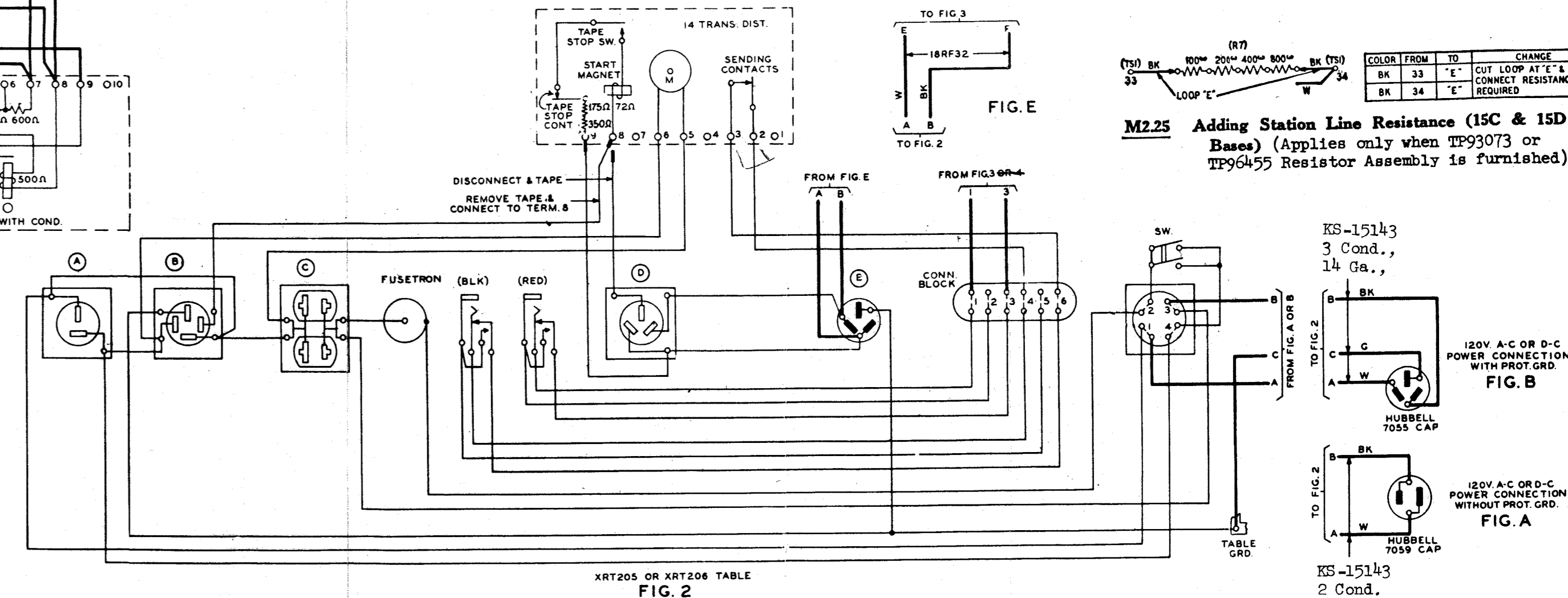
M2.50 Adding Local Test Resistors to 15C & D Bases



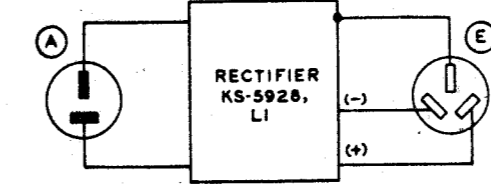
NOTES:

- A. Arrange Switch or Terminal Block on Typing Unit for Parallel operation when used with Switchboards 3, 3A and 5 and for Series operation for Switchboards 1, 1A and 3C.
- B. Block Line-Test Key in LINE position
- C. Filter wiring required only when filter units are specified on requisition.
- D. Refer to Section P36.301 for wiring of TTY units other than those shown.

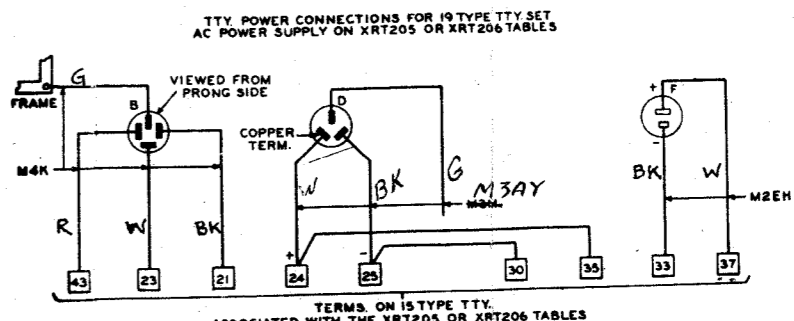
WIRING PLAN - 19 Automatic Sending and Receiving Teletypewriters.
Attended Station with Flashing Recall - With External Line Test Key - AC - Without Line Relay - Local Line to Switchboards 1, 1A, 3, 3A, 3C and 5 - XRT205** Tablc.



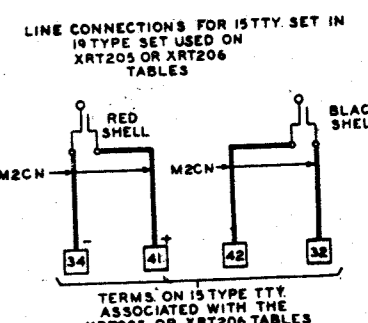
XRT205 OR XRT206 TABLE
FIG. 2



NOTE
1. ALL COLOR CODED LEADS ARE 22 GA. BROWN, TYPE GS STATION WIRE PER AT&CO SPEC. 7089 UNLESS OTHERWISE SPECIFIED



TTT POWER CONNECTIONS FOR 19 TYPE TTY SET
AC POWER SUPPLY ON XRT205 OR XRT206 TABLES

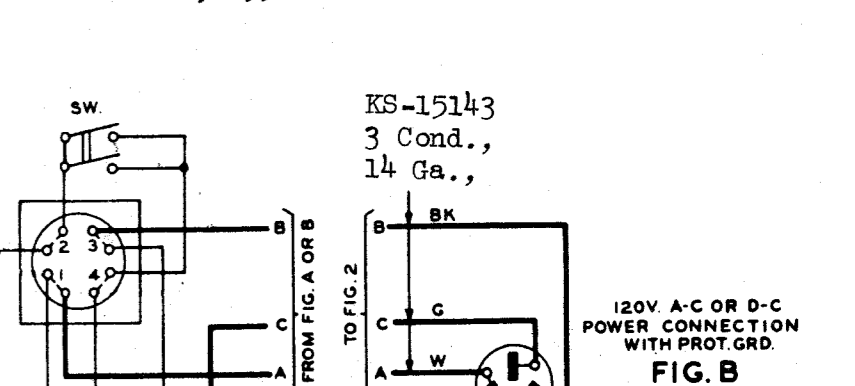


LINE CONNECTIONS FOR 15 TYPE SET IN 19 TYPE SET USED ON XRT205 OR XRT206 TABLES

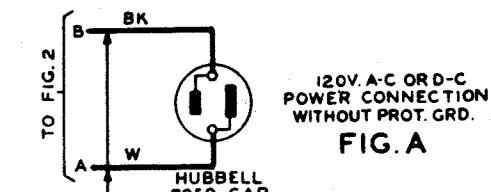
TERMS ON 15 TYPE TTY ASSOCIATED WITH THE XRT205 OR XRT206 TABLES

COLOR	FROM	TO	CHANGE
BK	33	'E'	CUT LOOP AT 'E' & CONNECT RESISTANCE AS REQUIRED
BK	34	'E'	CUT LOOP AT 'E' & CONNECT RESISTANCE AS REQUIRED

M2.25 Adding Station Line Resistance (15C & 15D TTY Bases) (Applies only when TP93073 or TP96455 Resistor Assembly is furnished)



120V. A-C OR D-C POWER CONNECTION WITH PROT. GRD.
FIG. B



120V. A-C OR D-C POWER CONNECTION WITHOUT PROT. GRD.
FIG. A

KS-15143
3 Cond.,
14 Ga.,
HUBBELL 7055 CAP

KS-15143
2 Cond.,
14 Ga.,
HUBBELL 7059 CAP

FROM FIG. A OR B

FROM FIG. 2

FROM FIG. 3 OR 4

FROM FIG. 5

FROM FIG. 6

FROM FIG. 7

FROM FIG. 8

FROM FIG. 9

FROM FIG. 10

FROM FIG. 11

FROM FIG. 12

FROM FIG. 13

FROM FIG. 14

FROM FIG. 15

FROM FIG. 16

FROM FIG. 17

FROM FIG. 18

FROM FIG. 19

FROM FIG. 20

FROM FIG. 21

FROM FIG. 22

FROM FIG. 23

FROM FIG. 24

FROM FIG. 25

FROM FIG. 26

FROM FIG. 27

FROM FIG. 28

FROM FIG. 29

FROM FIG. 30

FROM FIG. 31

FROM FIG. 32

FROM FIG. 33

FROM FIG. 34

FROM FIG. 35

FROM FIG. 36

FROM FIG. 37

FROM FIG. 38

FROM FIG. 39

FROM FIG. 40

FROM FIG. 41

FROM FIG. 42

FROM FIG. 43

FROM FIG. 44

FROM FIG. 45

FROM FIG. 46

FROM FIG. 47

FROM FIG. 48

FROM FIG. 49

FROM FIG. 50

FROM FIG. 51

FROM FIG. 52

FROM FIG. 53

FROM FIG. 54

FROM FIG. 55

FROM FIG. 56

FROM FIG. 57

FROM FIG. 58

FROM FIG. 59

FROM FIG. 60

FROM FIG. 61

FROM FIG. 62

FROM FIG. 63

FROM FIG. 64

FROM FIG. 65

FROM FIG. 66

FROM FIG. 67

FROM FIG. 68

FROM FIG. 69

FROM FIG. 70

FROM FIG. 71

FROM FIG. 72

FROM FIG. 73

FROM FIG. 74

FROM FIG. 75

FROM FIG. 76

FROM FIG. 77

FROM FIG. 78

FROM FIG. 79

FROM FIG. 80

FROM FIG. 81

FROM FIG. 82

FROM FIG. 83

FROM FIG. 84

FROM FIG. 85

FROM FIG. 86

FROM FIG. 87

FROM FIG. 88

FROM FIG. 89

FROM FIG. 90

FROM FIG. 91

FROM FIG. 92

FROM FIG. 93

FROM FIG. 94

FROM FIG. 95

FROM FIG. 96

FROM FIG. 97

FROM FIG. 98

FROM FIG. 99

FROM FIG. 100