

**SHEET INDEX**

CONTENTS	SHEET NO.	ISSUE NO.																		
		1	2	3	4	5	6	7	8	9	10									
ASSOCIATED M & A PLANS NOTES (INFO., CKT. & EQUIP.) OPTION INDEX RECORD OF CHANGES SHEET INDEX SUPPORTING INFORMATION	A1	1																		
COMPLETE STATION CIRCUIT	B1	1																		
STATION WIRING DRAWINGS 130C1 SUBSCRIBERS SET 28E ELEC. SERV. UNIT "C" TERM. STRIP	C1	1																		
STATION WIRING DRAWINGS 28 TYPING UNITS, BASES, MOTOR UNIT, LINE TEST KEY, TIME SWITCH	C2	1																		

**OPTION INDEX**

FEATURE	OPTION
28KSR	A
28RO	B
.060 AMPERES LINE CURRENT	C
.020 AMPERES LINE CURRENT	D
NON-SELECTIVE CALLING	E
SELECTIVE CALL- ING	F
LINE TEST KEY	G
TIME SWITCH	H
2 WIRE OR SEND LINE FOR 4 WIRE	J
REC. LINE FOR 4 WIRE	K
CONSTANT CARRIER	Y
CARRIER SWITCH CONTROLLED	Z

**INFORMATION NOTES**

- A. UNLESS OTHERWISE SPECIFIED ALL COLORED LEADS SHALL BE 22GA, BROWN, TYPE GS STATION WIRE PER A.T.&T. CO. SPEC. 7089.
- B. WIRE MAN SHALL LINE OUT ALL FIGURES NOT USED ON COPY OF WIRING PLAN WHICH ACCOMPANIES STATION.
- C. ASSOCIATED COMPANY ENGINEERING SHALL BE RESPONSIBLE FOR STATION ARRANGEMENTS OTHER THAN THOSE CONTAINED IN THE TP-581.000 TELETYPEWRITER STATION CODING PLAN.
- D. UNLESS OTHERWISE SPECIFIED: RESISTANCE VALUES ARE IN OHMS. CAPACITANCE VALUES ARE IN MICROFARADS. VALUES PRECEDED BY THE SYMBOL + (PLUS) OR - (MINUS) ARE IN VOLTS.

**CIRCUIT NOTES:**

101. PROVIDE OPTION "C" (STRAPS J1-1 TO J1-2 AND K1 TO K2) FOR .060 AMPERE OPERATION. PROVIDE OPTION "D" (STRAP J1-3 TO J1-4) FOR .020 AMPERE OPERATION.
102. REMOVE ALL STRAPS FROM "C" TERMINAL STRIP NOT SHOWN ON DRAWING.
103. STRAP C10-C11 WHEN OPTION "B" IS FURNISHED.
104. PROVIDE OPTION J FOR TWO-WIRE OPERATION OR FOR SEND LINE FOR FOUR-WIRE OPERATION. PROVIDE OPTION K FOR RECEIVE LINE ONLY WHEN FOUR-WIRE OPERATION IS SPECIFIED.
105. PROVIDE BLACK LEAD FROM RECTIFIER TO C38 FOR CONSTANT CARRIER (OPTION Y) AS STANDARD. PROVIDE OPTION Z ONLY WHEN EXCEPTION 62A IS SPECIFIED.
106. WHEN TIME SWITCH (ADD. 36) IS REQUIRED IN ADDITION TO STANDARD WIRING (OPTION Y-CONSTANT CARRIER) ARRANGE POWER WIRING AS SHOWN IN FIG. H-1. INSULATE SOLDER SPLICES SHOWN IN FIG. H-1 USING ALPHLEY FIT-275-8 SHRINKABLE TUBING (ALPHA WIRE CO.) OR EQUIVALENT.

**EQUIPMENT NOTES:**

201. PROVIDE 28A, 28B, 28C OR 28D TYPING UNIT WHEN OPTION "E" IS FURNISHED. PROVIDE 28E, 28F OR 28G TYPING UNIT WHEN OPTION "F" IS FURNISHED.
202. PROVIDE 28D BASE WHEN OPTION "A" IS FURNISHED. PROVIDE 28B BASE WHEN OPTION "B" IS FURNISHED.
203. USE 4 AMP FUSETRON OR EQUIVALENT FOR STATION POWER.
204. CANCELLED
205. THE TP-152675 FUNCTION BAR FURNISHED FOR TYPE ARRANGEMENT "D" REPLACES THE TP-152669 "NO RESISTRUCTIONS" FUNCTION BAR IN SLOT 22 OR 15 TO FURNISH SPACING ON U. C. BLANK
206. SPARK SUPPRESSORS ACROSS LINE RELAY CONTACTS ARE PRESENT ON 314A RELAY ONLY.

REQ. NO.
SHOP ORDER NO.

**RECORD OF CHANGES**

ISSUE 1	11-15-63	EHT
---------	----------	-----

**ASSOCIATED M & A PLANS**

M PLAN		A PLAN
M0663	M0667	A0080
M0664	M0668	
M0665	M0669	
M0666	M0670	

**SUPPORTING INFORMATION**

CATEGORY	ISSUED BY	NO.
STATION WIRING	BTL	P91.217

**SHEET INDEX NOTES**

- WHEN CHANGES ARE MADE IN THIS DRAWING, ONLY THOSE SHEETS AFFECTED WILL BE REISSUED.
- THIS SHEET INDEX WILL BE REISSUED AND BROUGHT UP TO DATE EACH TIME ANY SHEET OF THE DRAWING IS REISSUED, OR A NEW SHEET IS ADDED.
- THE ISSUE NUMBER ASSIGNED TO A CHANGED OR NEW SHEET WILL BE THE SAME ISSUE NUMBER AS THAT OF THE SHEET INDEX.
- SHEETS THAT ARE NOT CHANGED WILL RETAIN THEIR EXISTING ISSUE NUMBER.
- THE LAST ISSUE NUMBER OF THE SHEET INDEX IS RECOGNIZED AS THE LATEST ISSUE NUMBER OF THE DRAWING AS A WHOLE.

WESTERN ELECTRIC COMPANY, INC.  
SERVICE DIVISION  
SHOP ENGINEERING

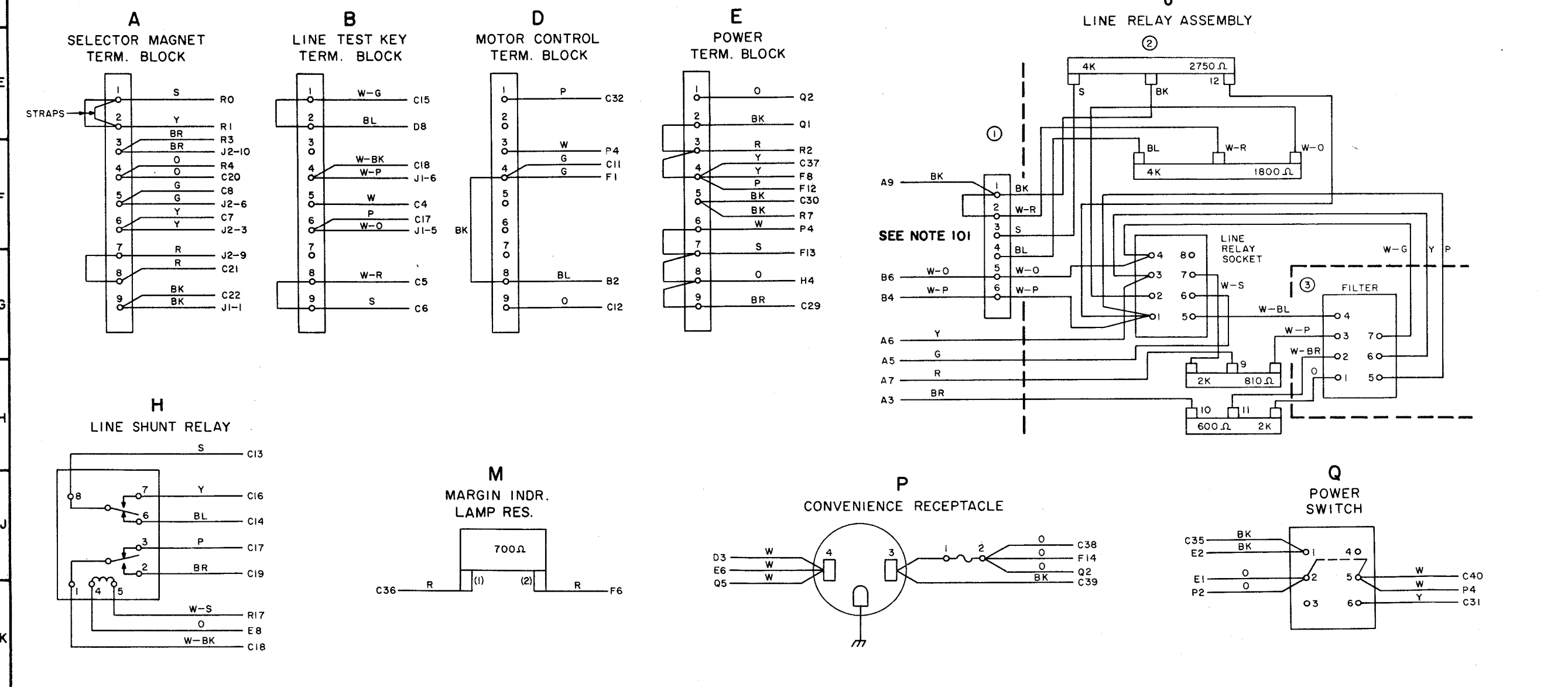
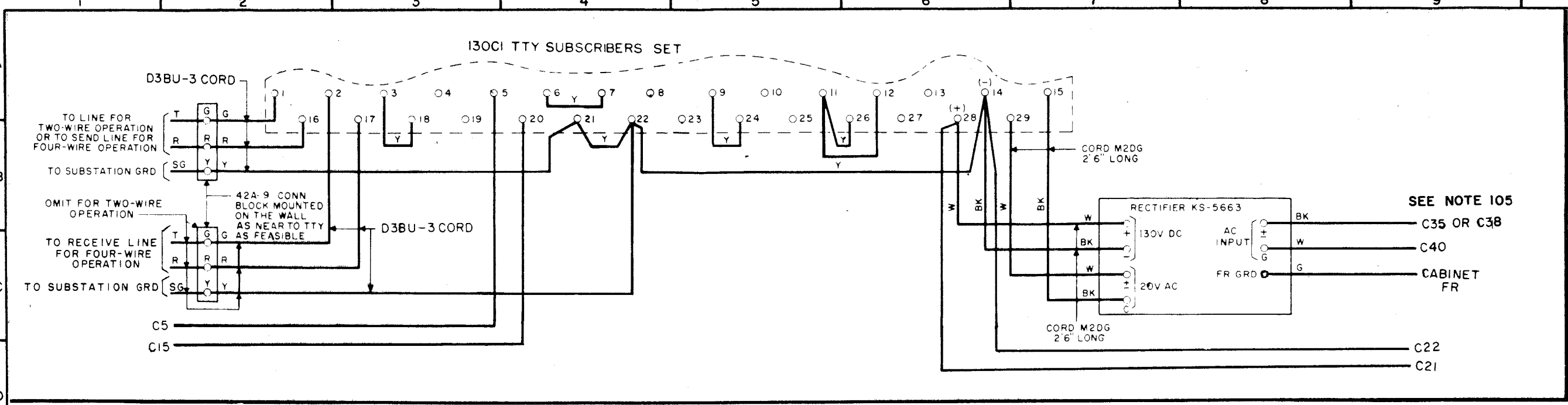
W0483  
4 SHEETS

28 TYPE TWPL SERVICE  
KEYBOARD SEND-RECEIVE OR RECEIVE-ONLY  
E/W 130C1 TTY SUBSCRIBER SET  
HALF DUPLEX - LINE RELAY OPERATION  
SWITCH CONTROL - AC 60 CYCLES

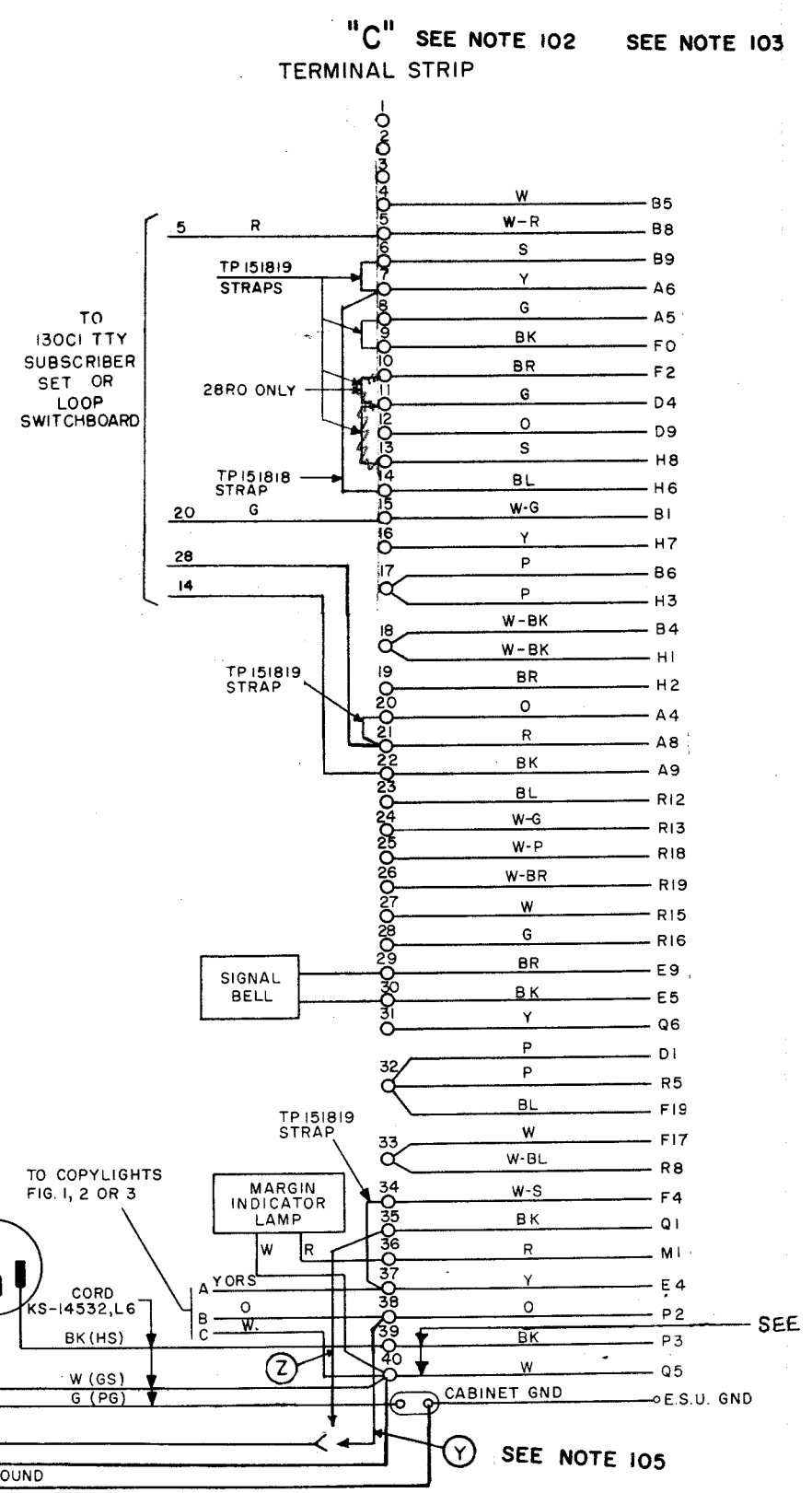
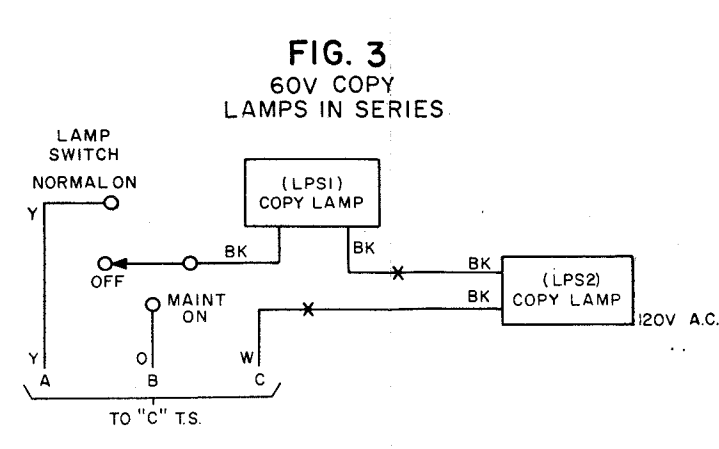
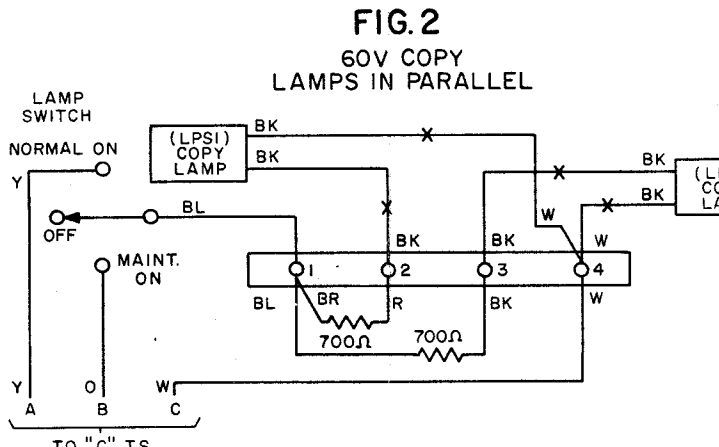
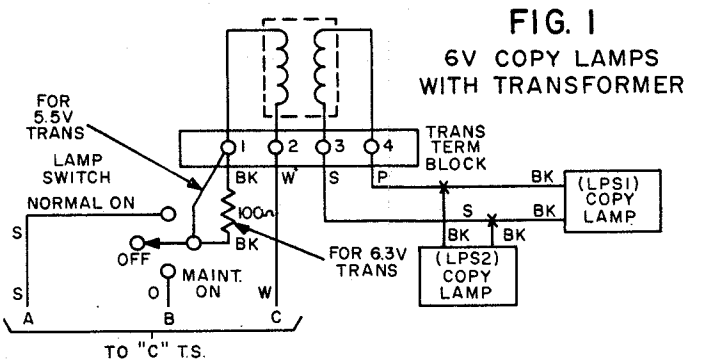
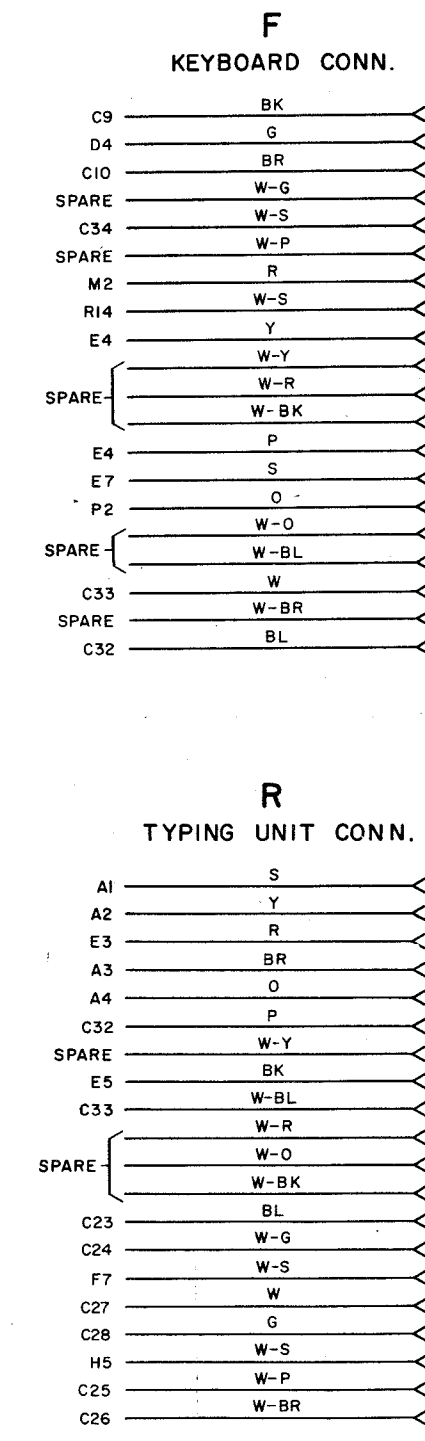
SHEET A1  
TP581.000 FILE IN BOOK 4C

3536





**28E ELECTRICAL SERVICE UNIT & "C" TERMINAL STRIP**



DRAWING ISSUE		
ISSUE	DATE	SIGN.
1	11-15-63	EHT

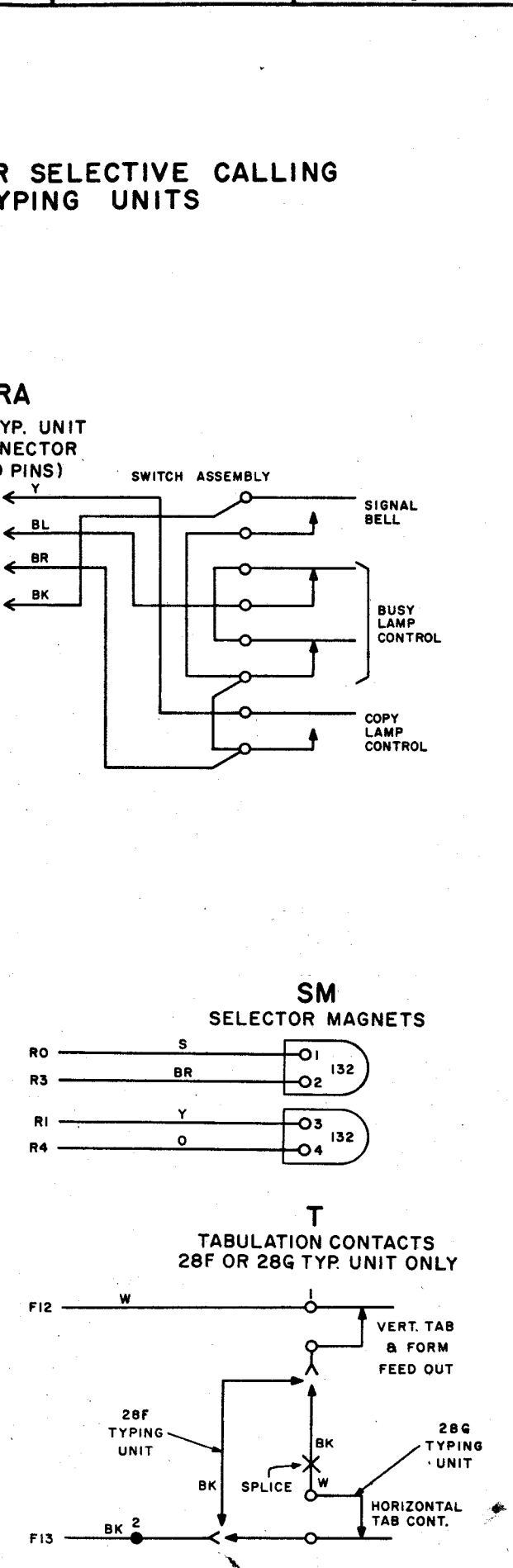
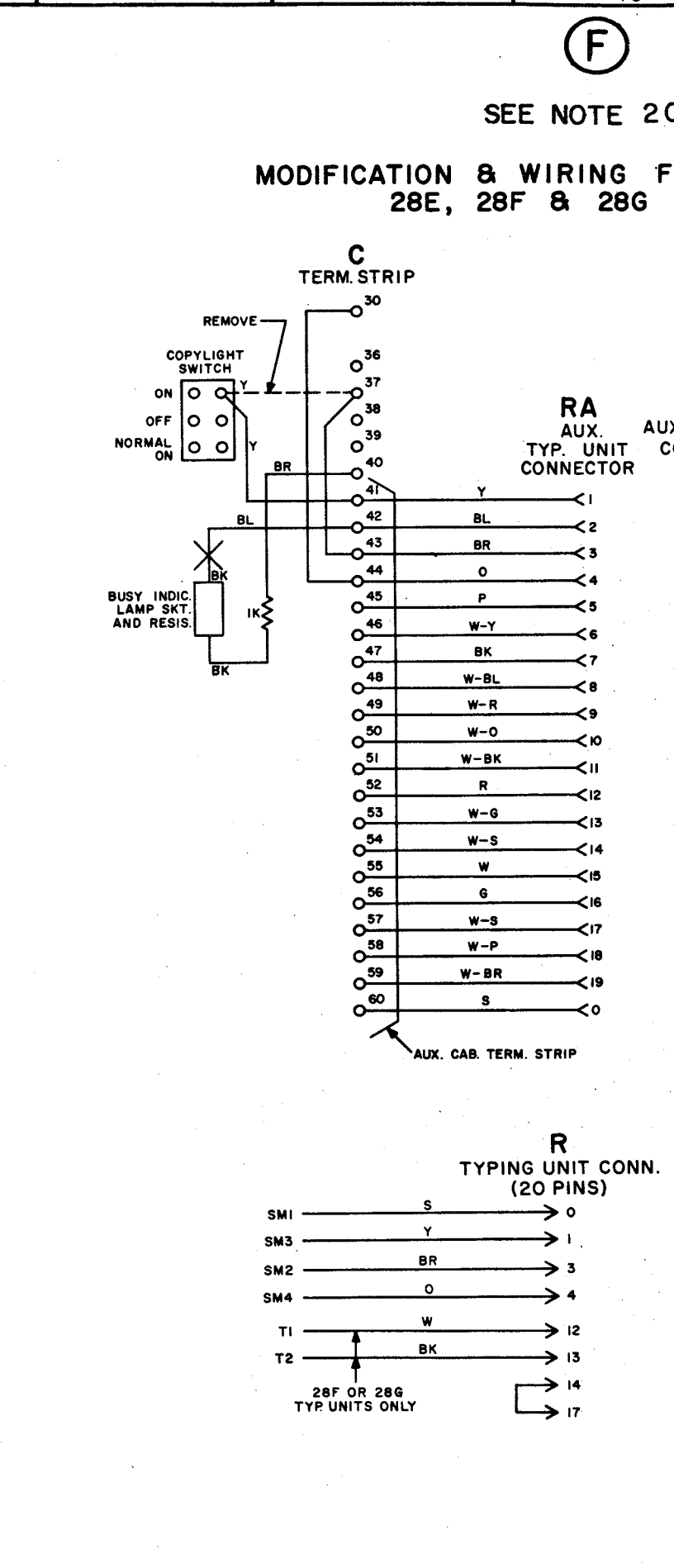
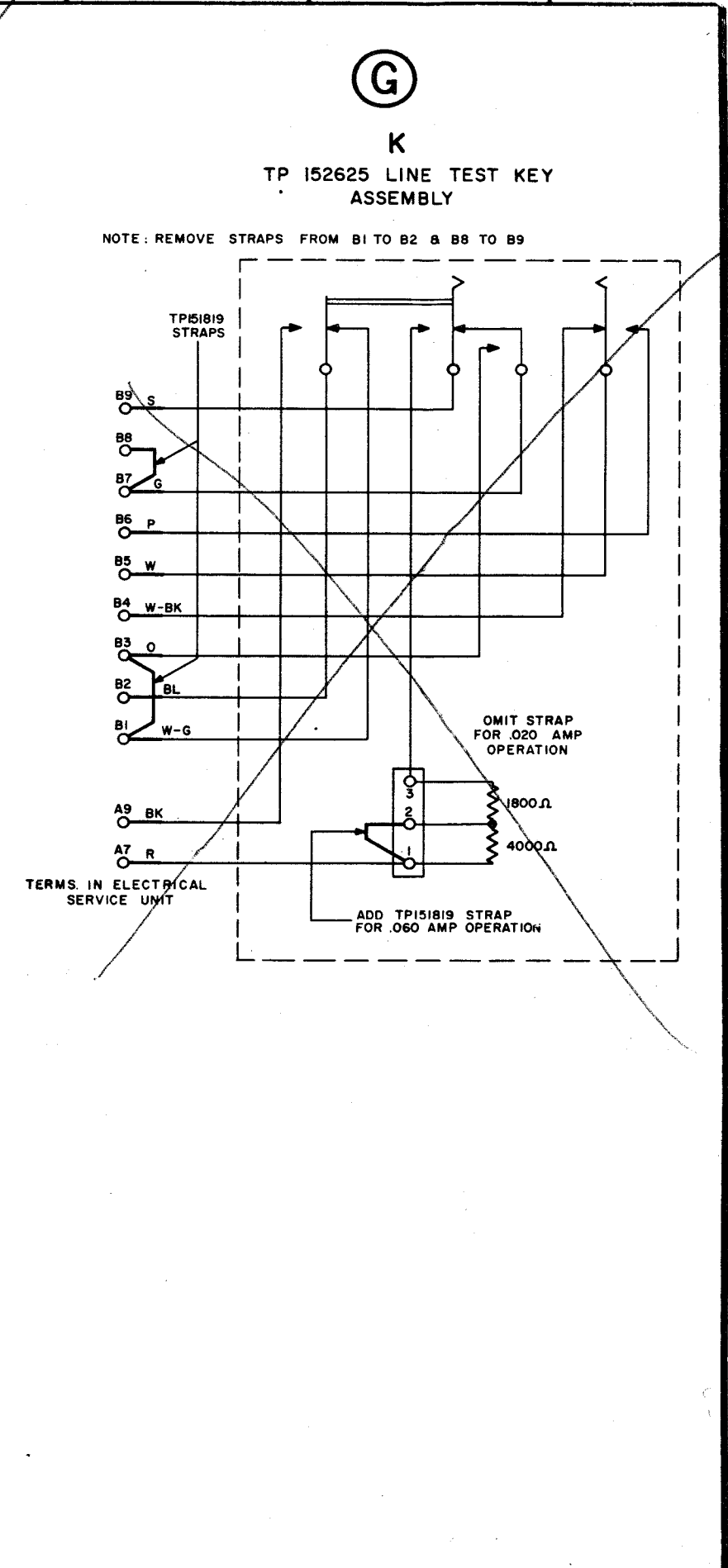
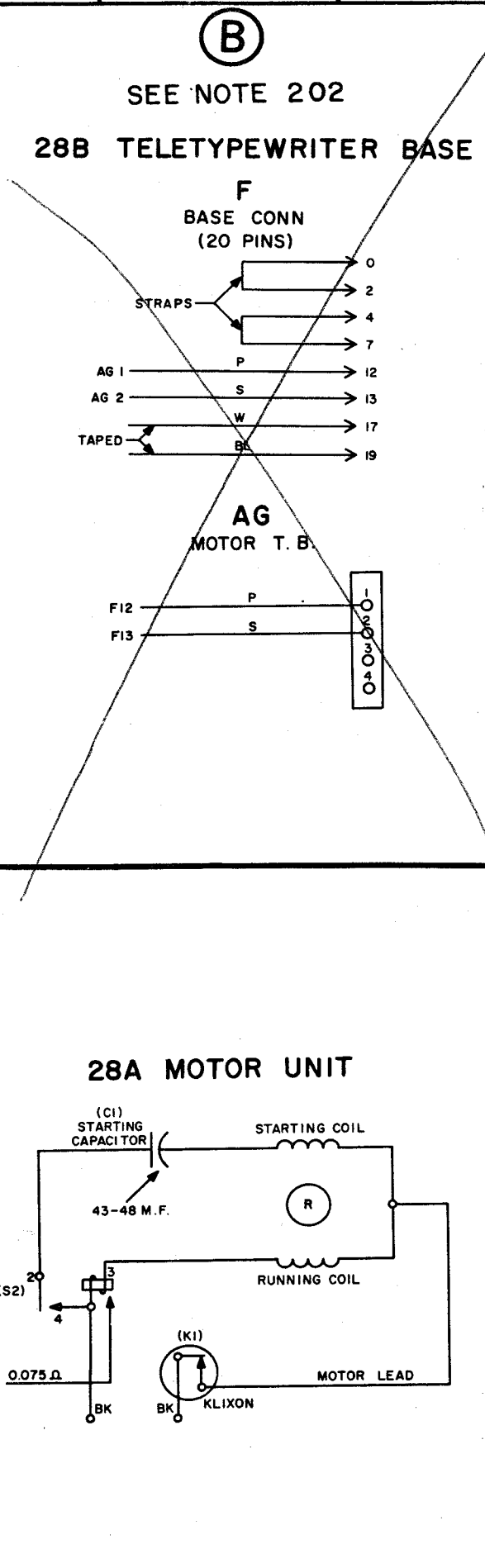
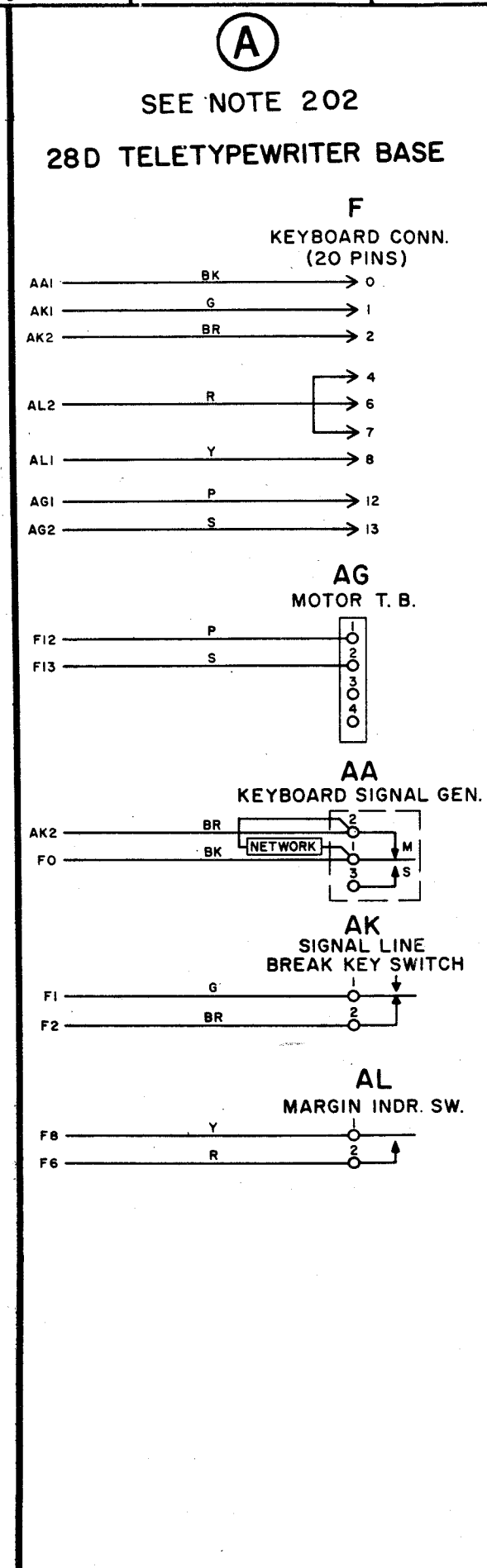
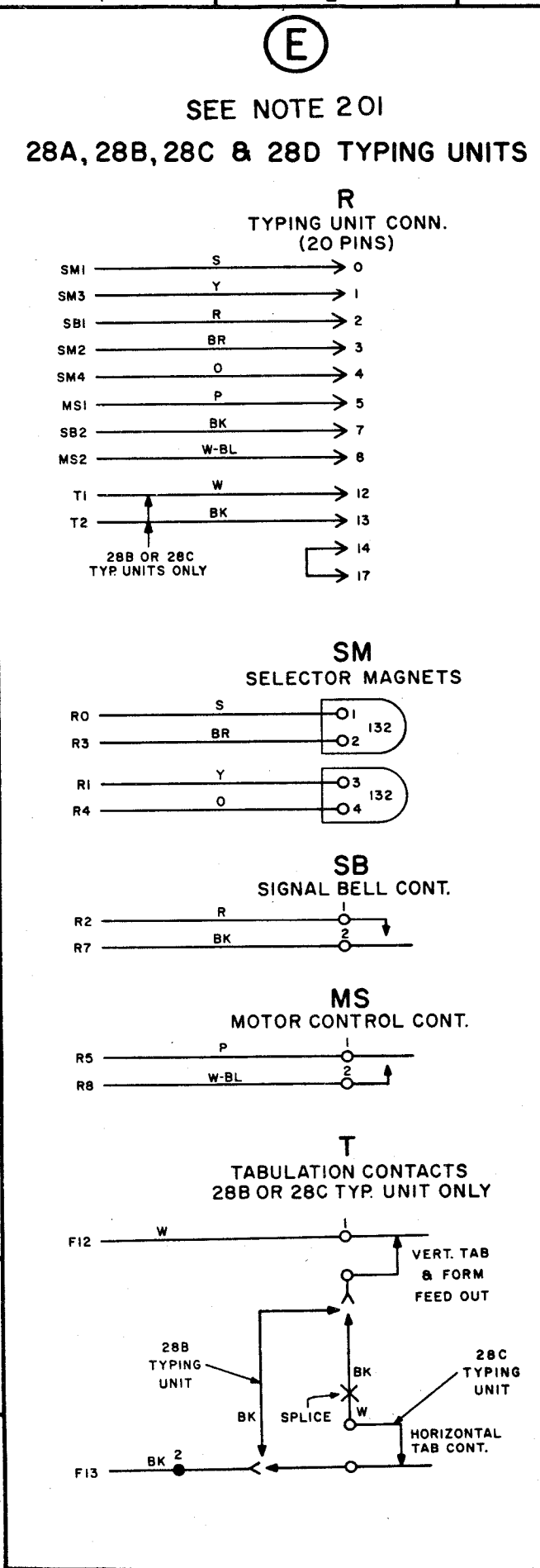
WESTERN ELECTRIC COMPANY, INC.  
SERVICE DIVISION  
SHOP ENGINEERING

W0483

28 TYPE TWPL SERVICE  
KEYBOARD SEND-RECEIVE OR RECEIVE-ONLY  
E/W 13001 TTY SUBSCRIBER SET  
HALF DUPLEX - LINE RELAY OPERATION  
SWITCH CONTROL - AC 60 CYCLES

SHEET C1  
FILE IN DOOR 40

TP581.000



DRAWING ISSUE		
ISSUE	DATE	SIGN.
1	11-15-63	EHT

WESTERN ELECTRIC COMPANY, INC.  
SERVICE DIVISION  
SHOP ENGINEERING

W0483

28 TYPE TWPL SERVICE  
KEYBOARD SEND-RECEIVE OR RECEIVE-ONLY  
E/W 130C1 TTY SUBSCRIBER SET  
HALF DUPLEX - LINE RELAY OPERATION  
SWITCH CONTROL - AC 60 CYCLES

SHEET C2  
FILE IN BOOK 4C

TP581.000