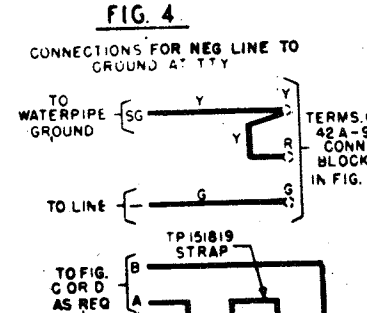
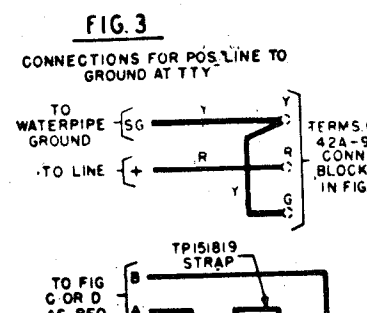
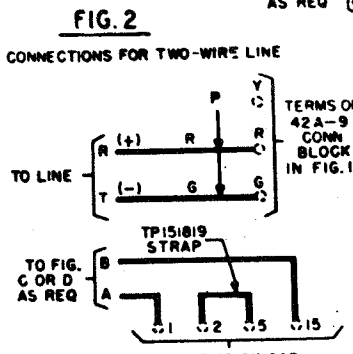
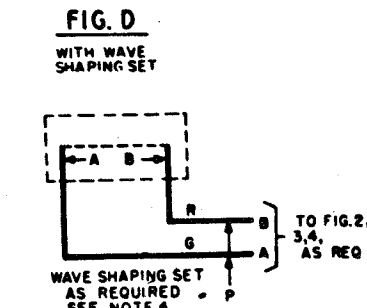
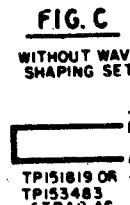
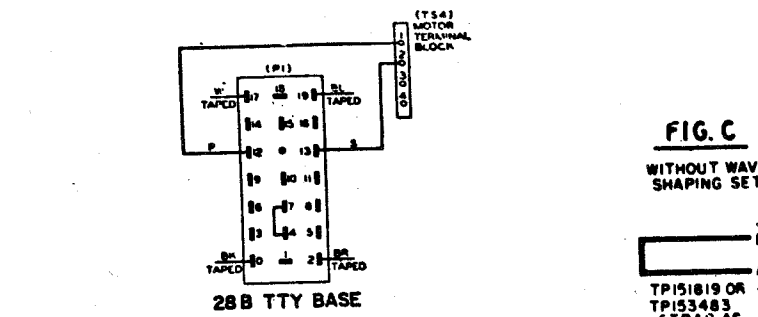
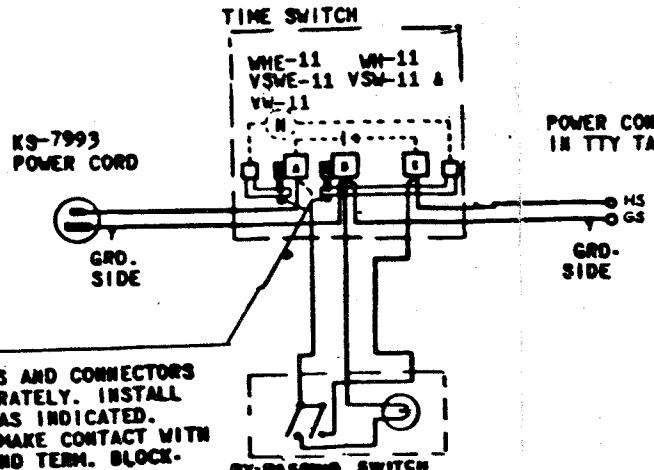
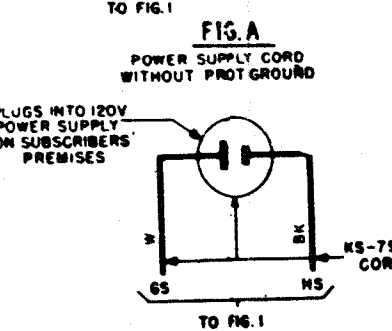
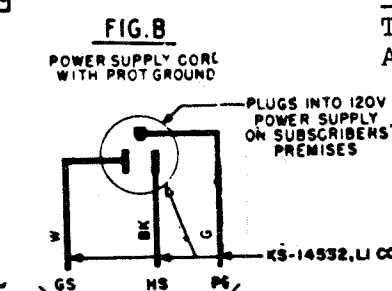
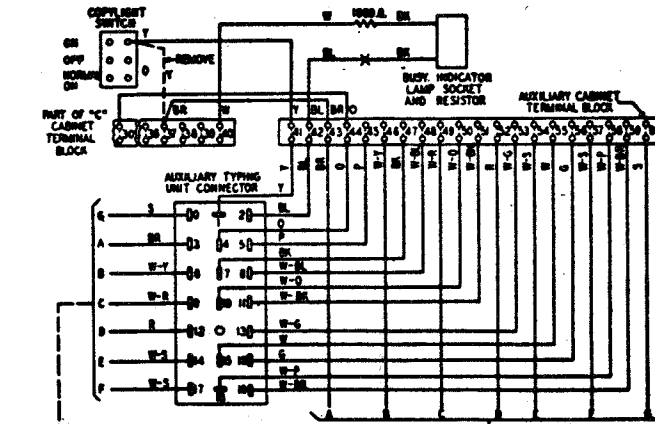
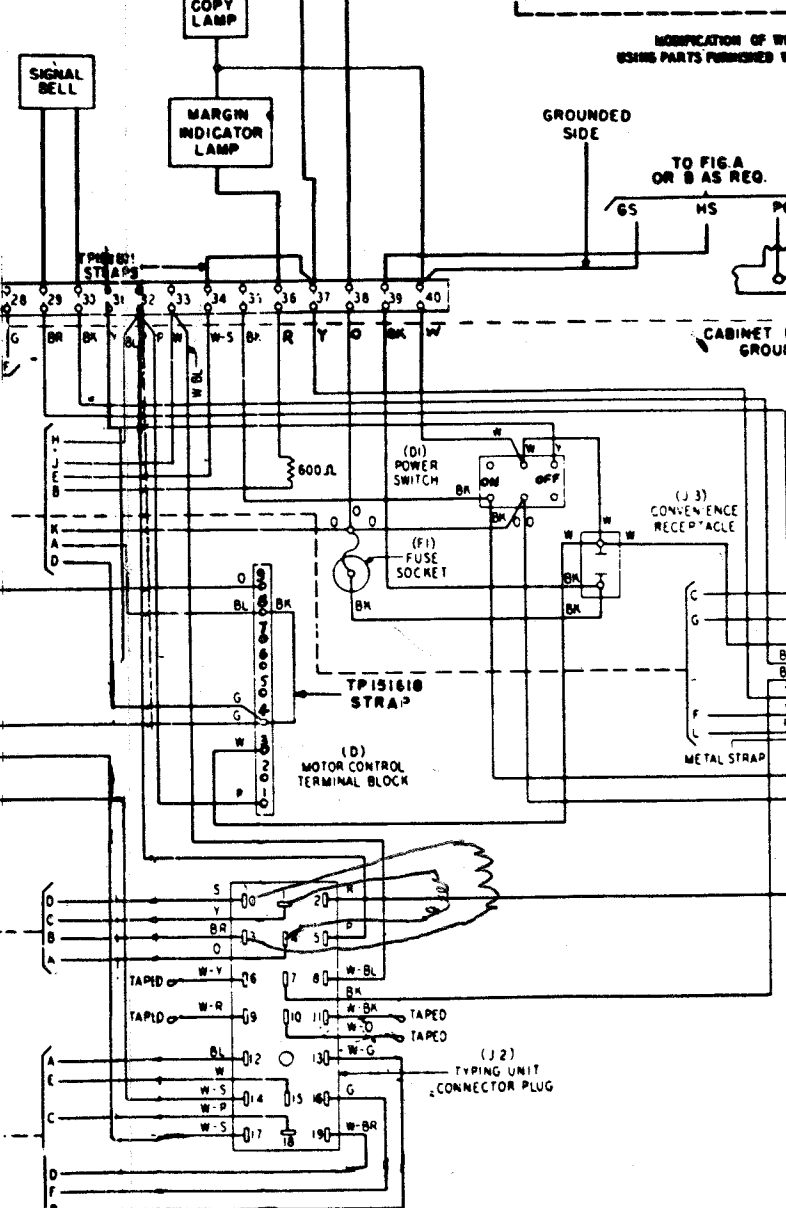
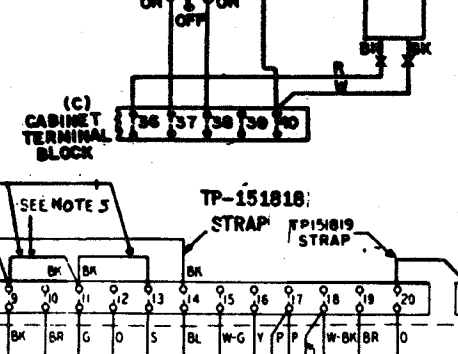
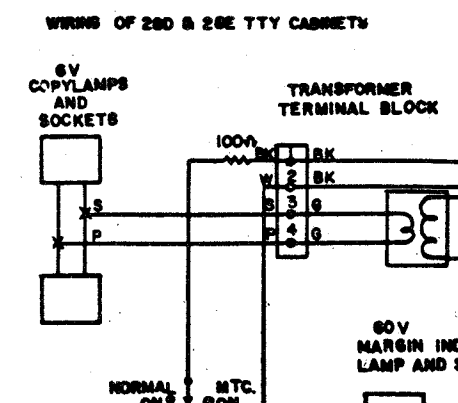
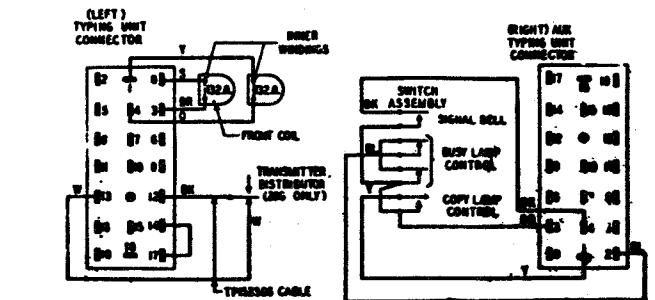
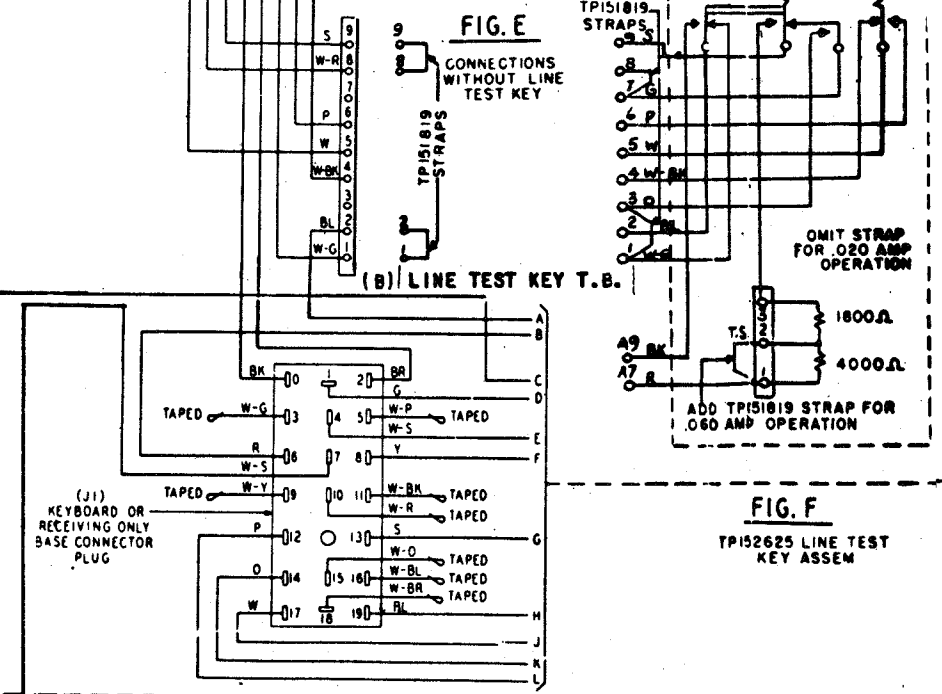
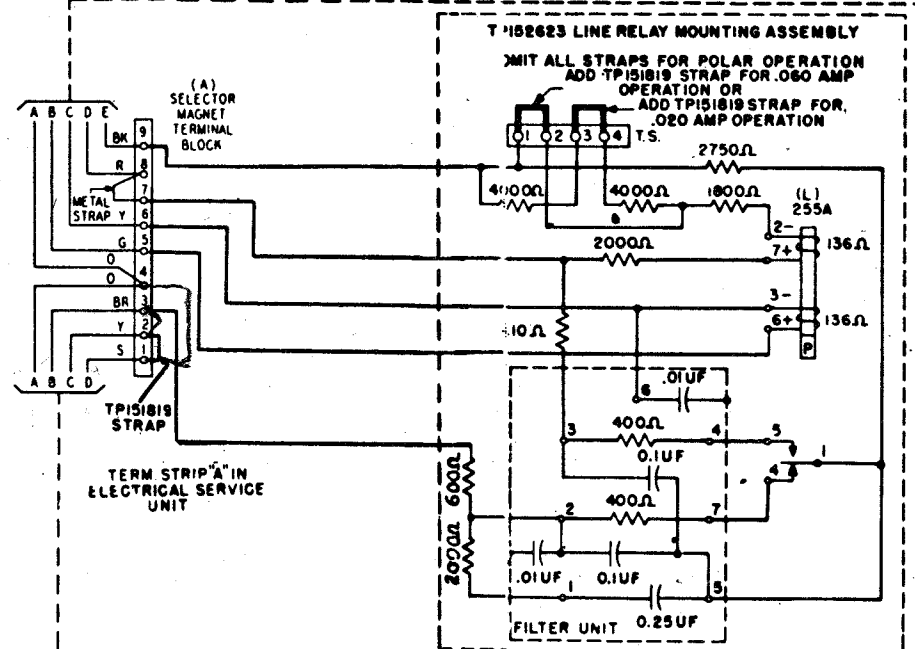
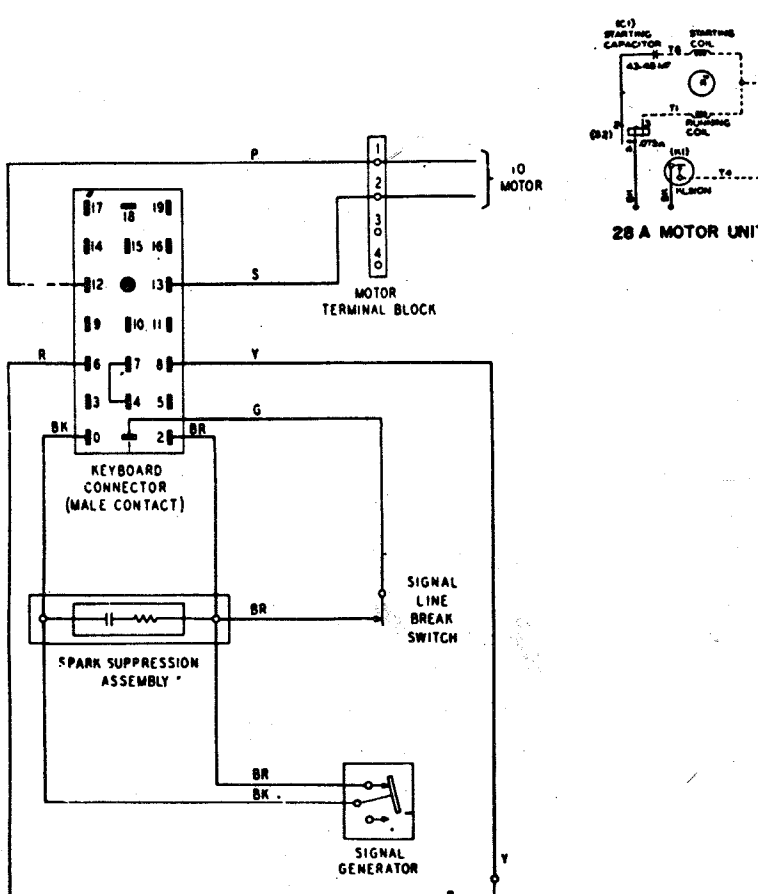


Western Electric Company, Inc.
Telephone Sales Division - Excl. Inst.
Engineer of Shops



28C TELETYPEWRITER-BASE



CHANGE FROM PREVIOUS ISSUE
TO INCLUDE WIRING FOR POSITIVE BATTERY
AND NEGATIVE BATTERY AT TTY TO LINE.

WIRING PLAN 28 TYPE TELETYPEWRITER
STATIONS-PRIVATE LINE SERVICE-SEND AND RECEIVE
OR RECEIVING ONLY-RELAY OPERATION-ONE WAY
POLAR OR NEUTRAL, 2W LINE OR 1W LINE TO
GROUND OR BATTERY, SWITCH CONTROL-WAVE SHAPING
SET-TIME SWITCH-AC OPERATION.

REQ. NO.
SHOP ORDER NO.

- NOTES:
1. WIRE MAN SHALL LINE OUT ALL FIGURES NOT USED ON COPY OF WIRING PLAN WHICH ACCOMPANIES STATION.
 2. CANCELLED.
 3. UNLESS OTHERWISE SPECIFIED ALL COLOR CODED INTERCONNECTING LEADS SHALL BE 22GA BROWN, TYPE GS STATION WIRE PER A.T. & T. CO. SPEC. 7039.
 4. THE A & B LEADS SHALL BE CONNECTED TO TERMINALS ON WAVE SHAPING SET AS SPECIFIED ON THE LT WIRING PLAN (SEE BSP P30.620).
 5. ADD TP151819 STRAP ON TERMINALS C-9 AND C-11 FOR RECEIVE ONLY SERVICE AND STRAP KO-K1 ON 28B BASE.
 6. REMOVE STRAPS FROM TERMS 21-40 AND 22-35.
 7. LINE AND GROUND CONNECTIONS SHALL BE MADE PER FIG. 2, 3, OR 4.

TP581.000
BOOK 4C
CODE W0470
Sheet 1 of 2
3-25-59
Repl. Iss. 7-12-57

MACHINE SCREWS AND CONNECTORS PROVIDED SEPARATELY. INSTALL IN TERMINALS AS INDICATED. THESE SCREWS MAKE CONTACT WITH BUS BARS BEHIND TERM. BLOCK.