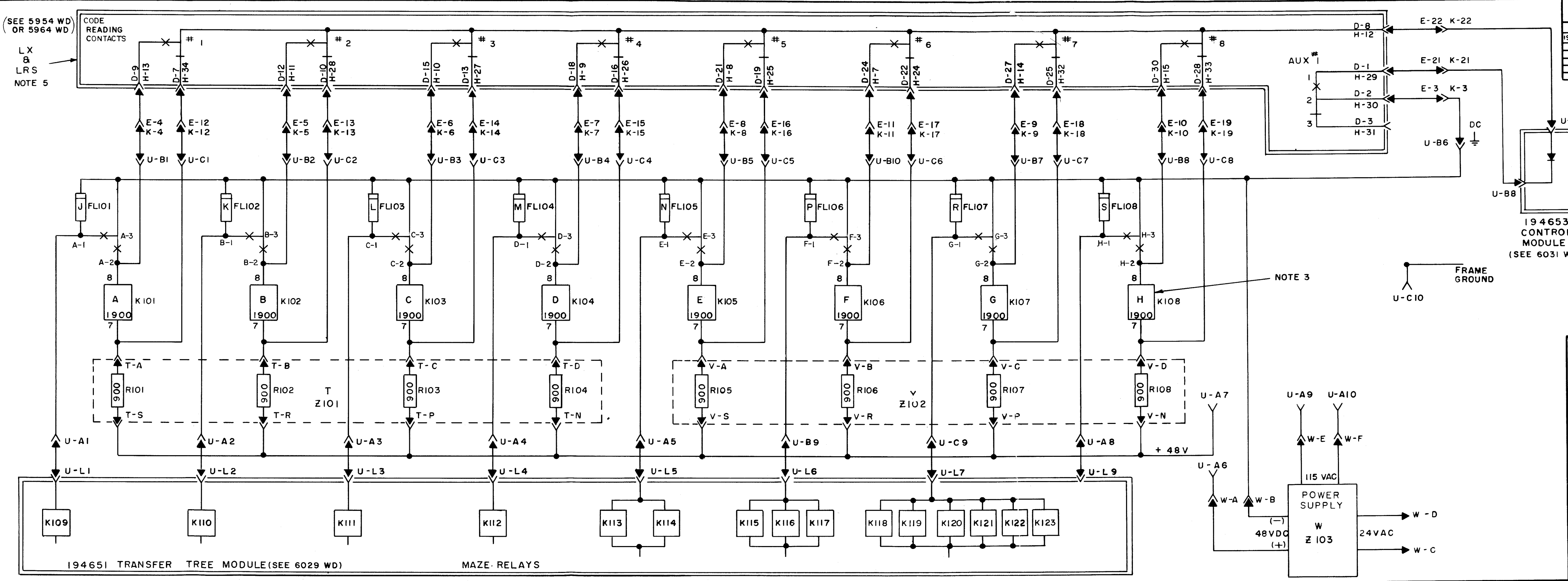


- 1 REFER TO 6028 WD FOR WIRING LIST.
- 2 A-H MERCURY RELAY 194519
J-S 185A NETWORK 153631
T, V CONNECTOR (15 PIN) USED WITH SPECIAL COMPONENTS CARDS
(J122, J123) 193040
U CONNECTOR (50 PIN) (J109) 174730
W CONNECTOR (6 PIN) (J121) 171651
- 3 RELAY K108 OMITTED IN THIS ASSEMBLY.
- 4 THE LRS 801 IS USED WITH THE SIGNAL-TO-TAPE CONVERTER. WHEN THIS CIRCUIT APPLIES TO A TAPE-TO-TAPE CONVERTER, A LX 801 REPLACES THE LRS 801
- 5 LX CONNECTOR = H
LRS CONNECTOR = D
- 6 ALL VOLTAGES DC UNLESS OTHERWISE SPECIFIED.
- 7 ALL RESISTANCE VALUES IN OHMS UNLESS OTHERWISE SPECIFIED.
- 8 \rightarrow INDICATES FEMALE AND \leftarrow INDICATES MALE TERMINALS.
- 10 RELAYS A-H ARE THE MERCURY TYPE WHICH PLUG INTO OCTAL SOCKETS.

RTTY ELECTRONICS
TELETYPE=Sales-Service-Parts
PO Box 20101 El Sobrante, Ca.
94820. (510)222-3102
mr_rtty@pacbell.net



6027 WD		
ISSUE	DATE	AUTH. NO.
3	8-5-64	83024

SCHEMATIC WIRING DIAGRAM FOR 194650 CHARACTER STORAGE MODULE 8-5 CODE CONVERTER

APPROVALS
R AND D E OF M

E-NUMBER
PROD. NO. 6027 WD
DATE 2-9-63
P.D. FILE NO. 3-95AAA
DRAWN CG CHKD. [Signature]
ENGD PHB APPD. [Signature]

TELETYPE CORPORATION
6027 WD