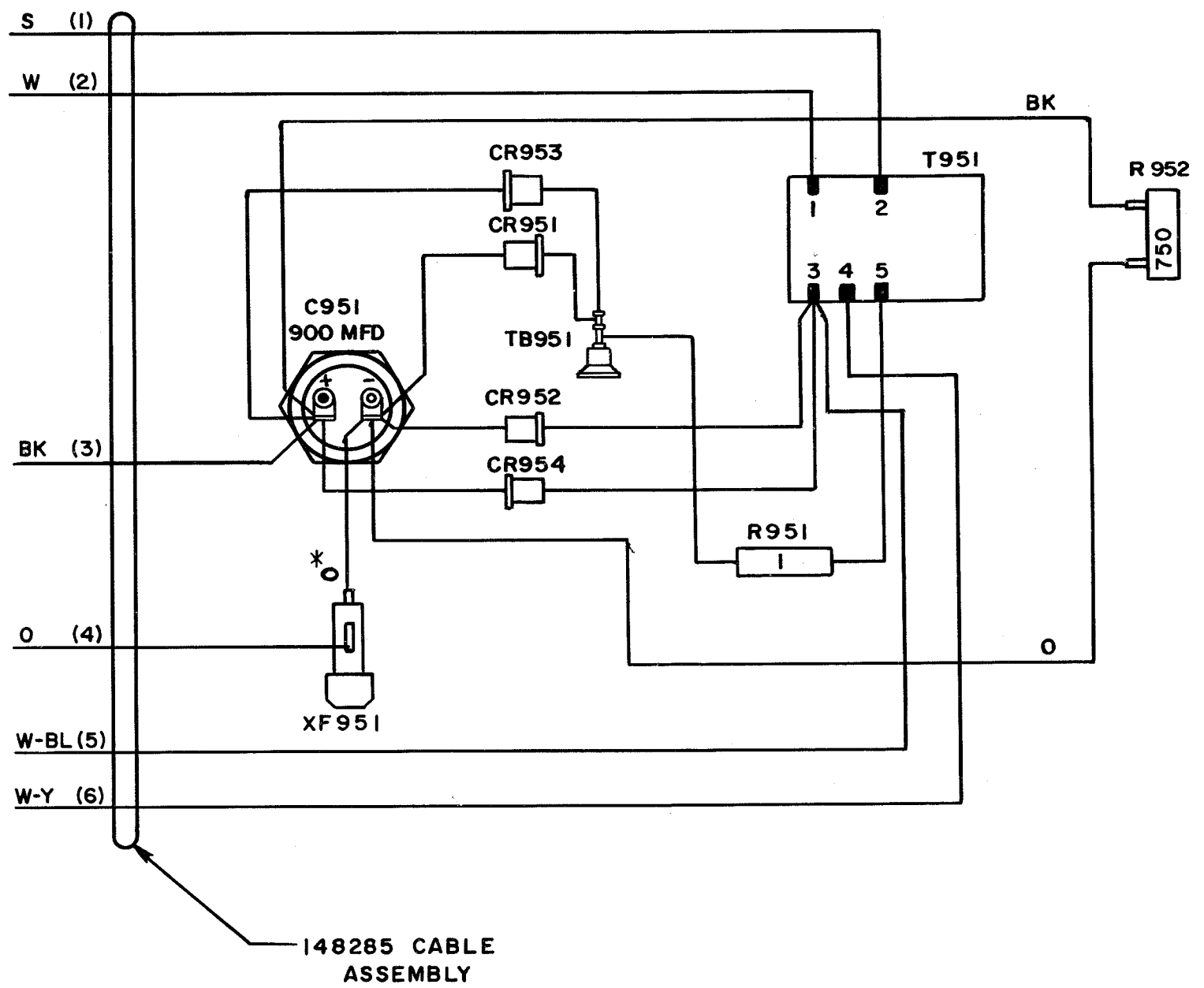


5992 WD

ISSUE	DATE	AUTH. NO.
2	7-6-64	B2102

- | NO. | NOTES |
|-----|---|
| 1. | REFER TO 5991WD FOR SCHEMATIC. |
| 2. | USE 148285 CABLE ASSEMBLY. |
| 3. | *ASTERISK INDICATES WIRE IS NOT PART OF 148285 CABLE ASSEMBLY. |
| 4. | USE 60340RM TUBING TO INSULATE DIODE LEADS AND RESISTOR LEADS WHERE NECESSARY. |
| 5. | WIRE COLOR CODES:
WHITE — W
SLATE — S
BLACK — BK
ORANGE — O
WHITE-BLUE — W-BL
WHITE-YELLOW — W-Y |
| 6. | FUSE VALUE CORRESPONDING TO FUSE HOLDER XF 951 — 1.5 A |
| 7. | PARENTHESES INDICATE TERMINAL DESIGNATIONS FOR REFERENCE ONLY. |
| 8. | CONNECTIONS VIEWED FROM TERMINAL SIDE. |



ACTUAL
 WIRING DIAGRAM
 FOR
 48 VOLTS
 POWER SUPPLY
 ASSEM. NO. 148280

APPROVALS	
D AND R	E OF M
E-NUMBER	
PROD. NO. 5992WD	
DATE: 4-18-63	
P.D. FILE NO. 1-33.69AA	
DRAWN. N.A.R.	CHKD. <i>[Signature]</i>
ENGD. E.J.T.	APPD. <i>[Signature]</i>
TELETYPE CORPORATION	
5992 WD	

RTTY ELECTRONICS
 TELETYPE=Sales-Service-Parts
 PO Box 20101 El Sobrante, Ca.
 94820. (510)222-3102
 mr_rtty@pacbell.net