

NOTES

1. COLOR CODES
 BK-BLACK G-GREEN
 R-RED BL-BLUE
 O-ORANGE P-PURPLE
 Y-YELLOW W-WHITE
 W-O-WHITE-ORANGE
 W-G-WHITE-GREEN
 W-BL-WHITE-BLUE
 G-Y-GREEN-YELLOW
 BR-Y-BROWN-YELLOW
2. WIRING LEGEND
 DISTANT TERMINATING AREA
 DISTANT TERMINATING DESIGNATION
 D-L-W-BL
 WIRE COLOR CODE
3. ALL COMPONENTS VIEWED FROM THE SOLDERED SIDE
4. FOR ASSOCIATED W.D'S SEE 182630 (20MA)
 182631 (60MA)
 182632 (40MA)
- 5.
6. # INDICATES 18 GA WIRE
7. FOR TELETYPE PERSONNEL REFER TO SPEC 60,5275.
8. NUMBERS IN PARENTHESES ARE NOT MARKED ON COMPONENTS
9. SOME UNITS CONTAIN 195155 - 60 HERTZ OR 181878 - 50/60 HERTZ TRANSFORMER
10. THE SIGNAL INPUT IMPEDANCE IS APPROX. .7 VOLTS DIVIDED BY THE MARKING SIGNAL LINE CURRENT. REMOVING THE 113442 STRAP FROM THE 193485 ASSEMBLY WILL PUT AN ADDITIONAL 680 OHMS IN THE SIGNAL INPUT CIRCUIT.

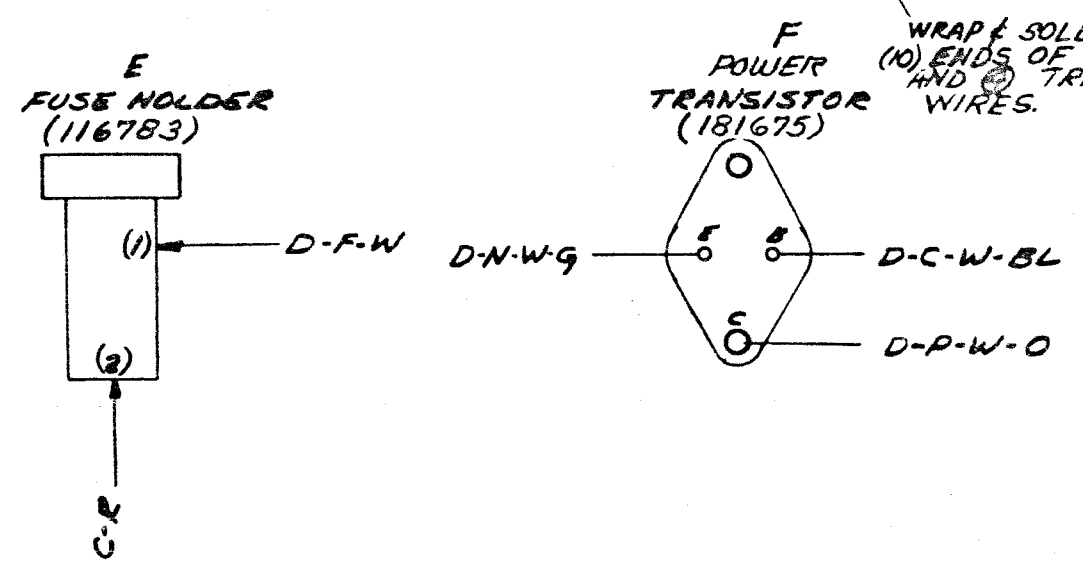
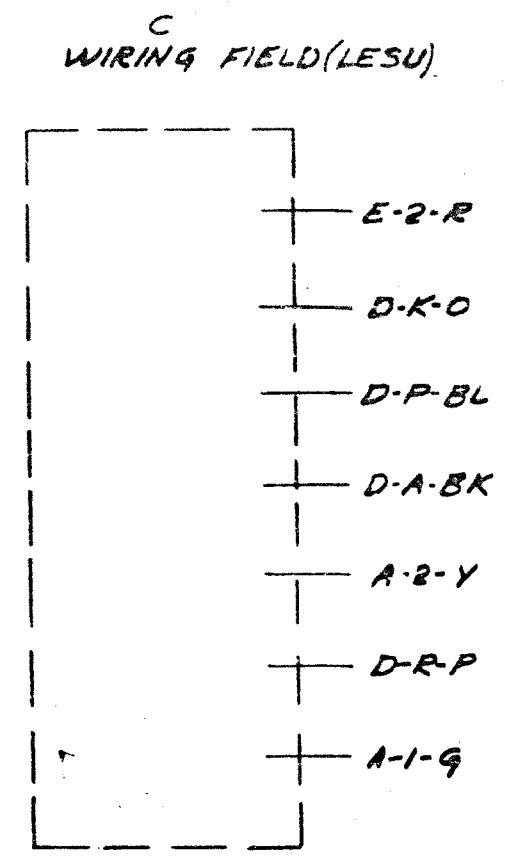
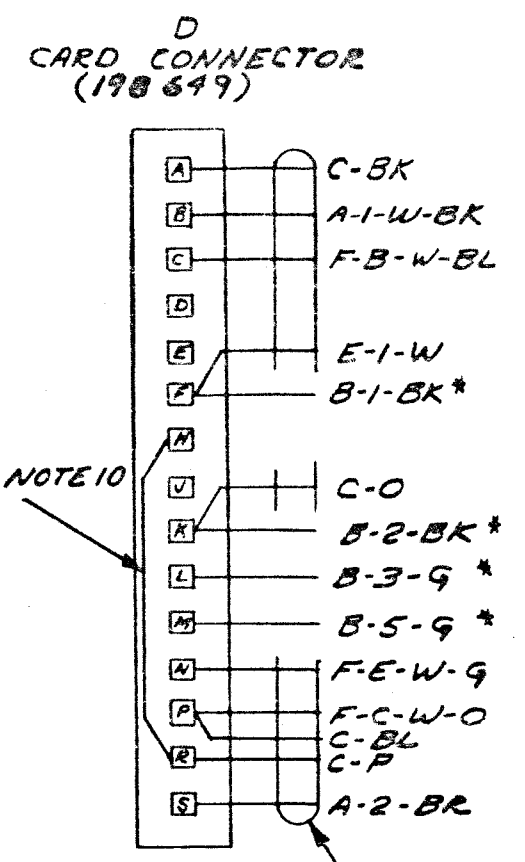
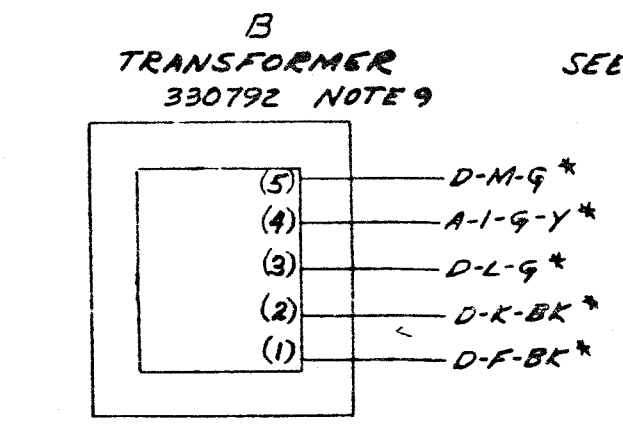
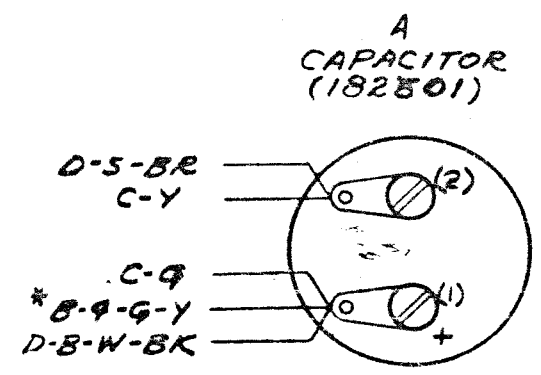


TABLE I

117 V AC	
50-60 HERTZ	
193485 20MA	NOTE 10
197053 60MA	
332999 40MA	

5983 WD

REVISIONS

ISSUE	DATE	AUTH. NO.
2	1-23-64	79298
3	5-21-64	81761
4	5-21-64	82600
5	2-28-66	90556
6	10-17-66	90273
7	5-3-68	955241
8	10-3-68	96011

RTTY ELECTRONICS 2234
 TELETYPE Sales-Service-Parts
 PO Box 20101 El Sobrante, Ca.
 94820. (510)222-3102
 mr_rtty@pacbell.net

WDP

ACTUAL WIRING DIAGRAM OF 500MA CONSTANT CURRENT SELECTOR MAGNET DRIVER FOR M35 SETS
 (SEE TABLE I)

APPROVALS

D AND R E OF M
 F.L. [Signature]

E-NUMBER
 PROD. NO. 5983 WD

DATE: 11-10-62
 P.D. FILE NO. 1-159,151AA
 DRAWN PSD CHKD. JEM
 ENGD. JGM APPD. BGG

TELETYPE CORPORATION

5983 WD