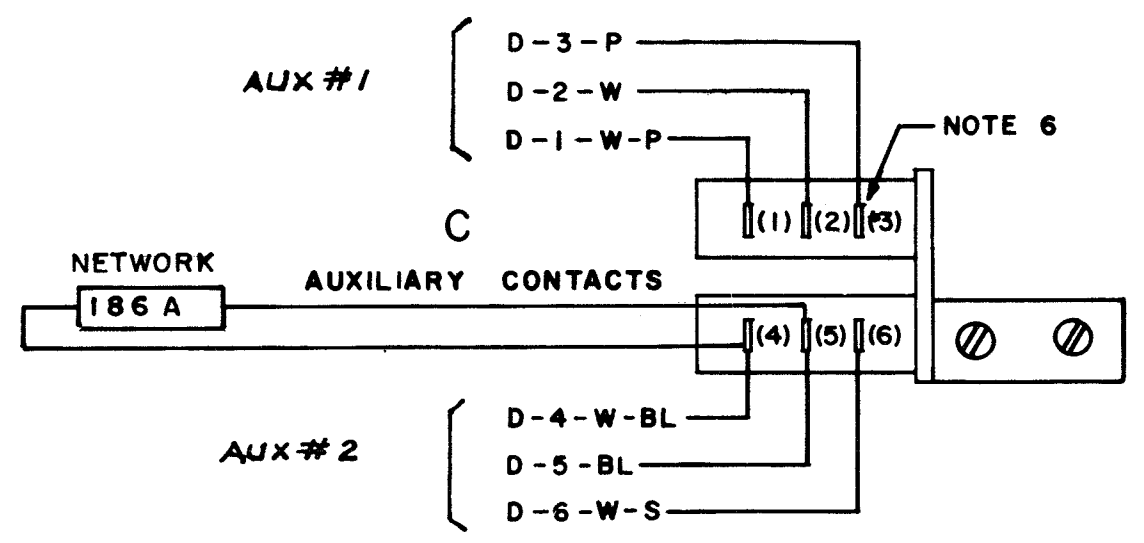
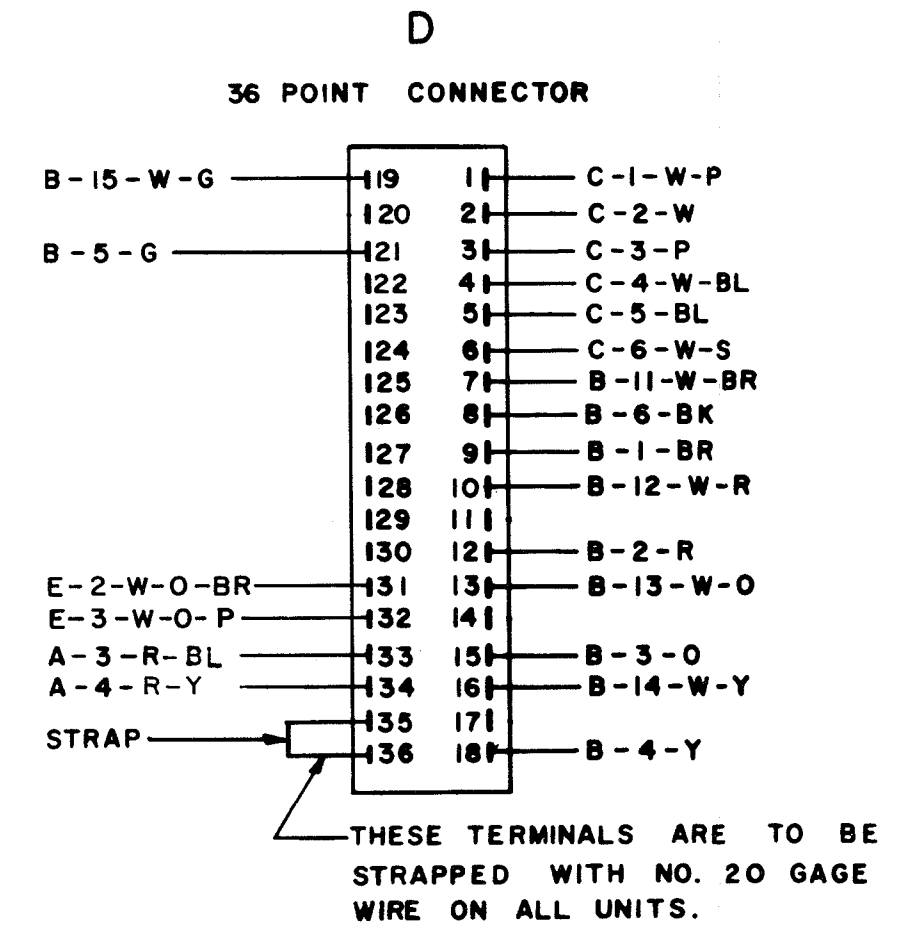
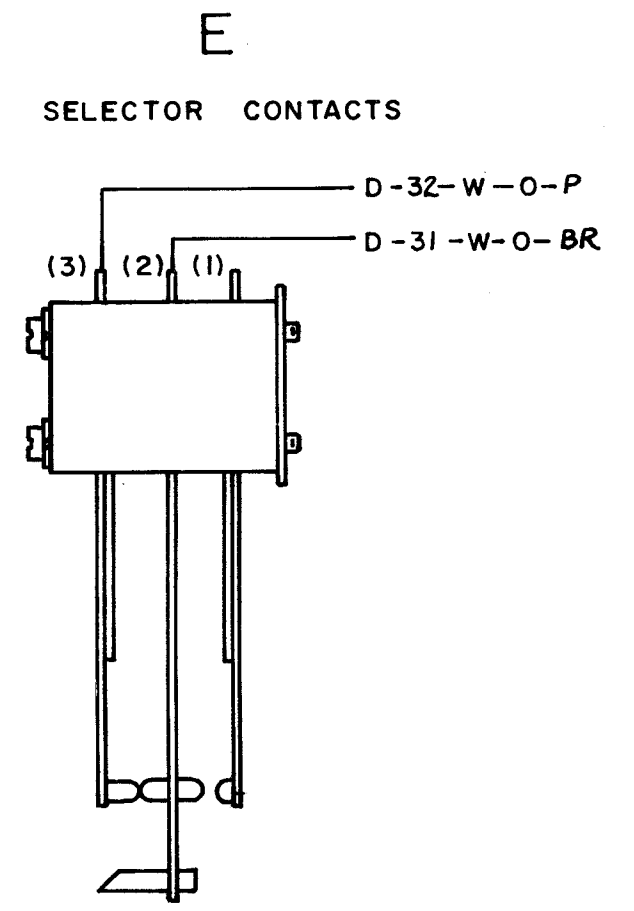
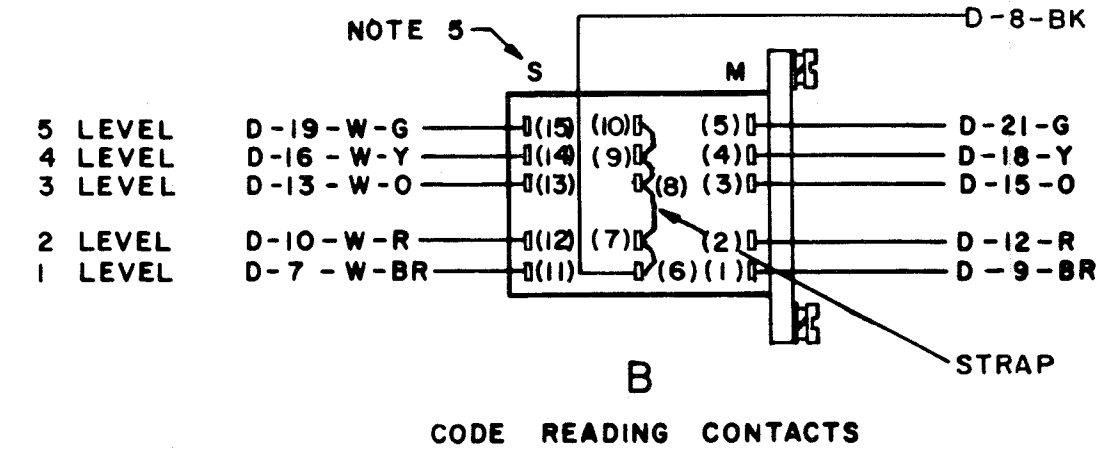
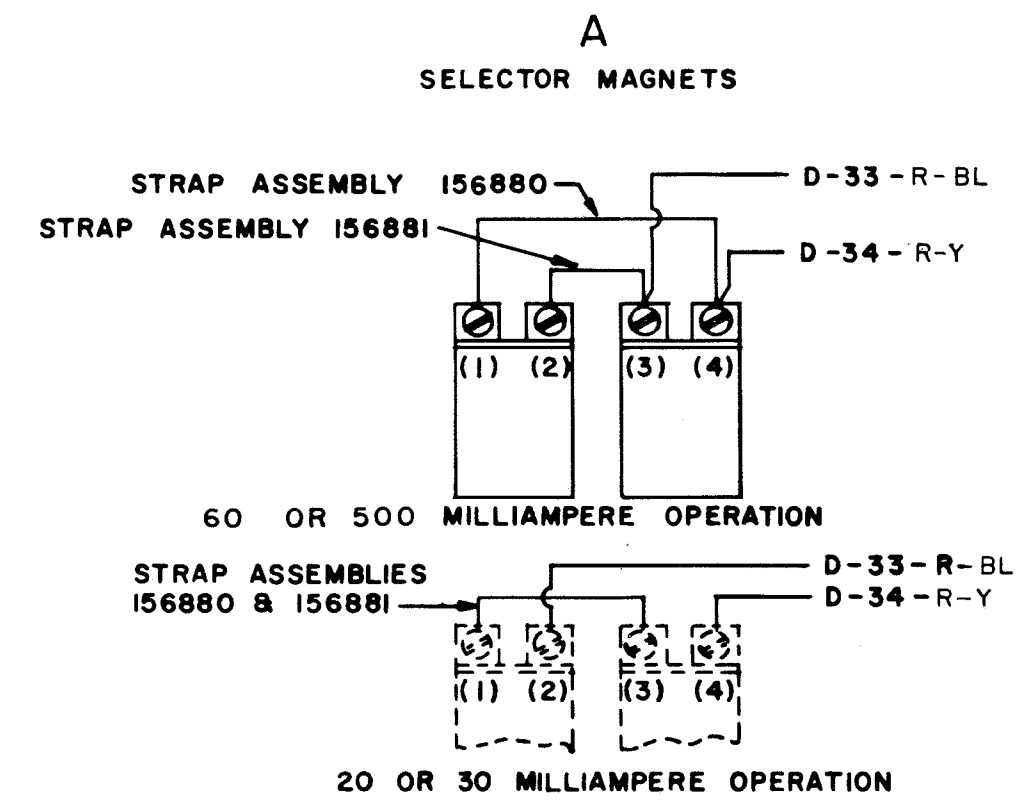


| | | |
|-----------|------|-----------|
| 5965 WD | | |
| REVISIONS | | |
| ISS. | DATE | AUTH. NO. |
| | | |
| | | |
| | | |
| | | |
| | | |
| | | |

- NOTES**
- COLOR CODE
BK BLACK G GREEN
BR BROWN BL BLUE
R RED P PURPLE
O ORANGE S SLATE
Y YELLOW W WHITE
 - WIRING LEGEND
— DISTANT TERMINAL AREA
— DISTANT TERMINAL DESIGNATION
— WIRE COLOR CODE
D-4-BL
 - TERMINALS DESIGNATED IN PARENTHESES ARE NOT MARKED ON COMPONENTS
 - TERMINALS ON CONNECTOR SHOWN AS VIEWED FROM SOLDER END.
 - THE SPACING (S) SIDE ON THE CODE READING CONTACTS ARE NORMALLY CLOSED. THE MARKING (M) SIDE OF THE CODE READING CONTACTS ARE NORMALLY OPEN.
 - WHEN THE AUXILIARY CONTACTS ARE OPERATED FROM A SINGLE CYCLE FUNCTION CAM THE CONTACTS NEAREST THE MOUNTING BRACKET ARE NORMALLY CLOSED.



| | |
|--------------------|--------------------|
| APPROVALS | |
| D AND R | E OF M |
| <i>[Signature]</i> | <i>[Signature]</i> |
| E-NUMBER | |
| PROD. NO. 5965 WD | |

ACTUAL WIRING
DIAGRAM
MODEL 28
RECEIVING SELECTOR
LRS 3

| | |
|----------------------|---------|
| DATE | 11-3-62 |
| P.D. FILE NO. | 4-95AAA |
| DRAWN G.M. | CHKD |
| ENGD P.H.B. | APPD |
| TELETYPE CORPORATION | |
| 5965WD | |

RTTY ELECTRONICS
TELETYPE-Sales-Service-Parts
PO Box 20101 El Sobrante, Ca.
94820. (510)222-3102
mr_rtty@pacbell.net