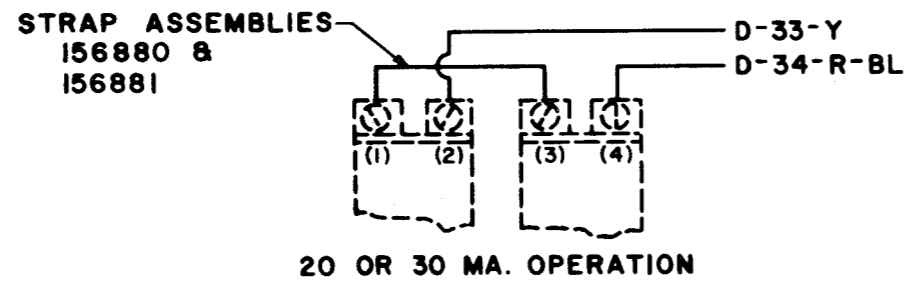
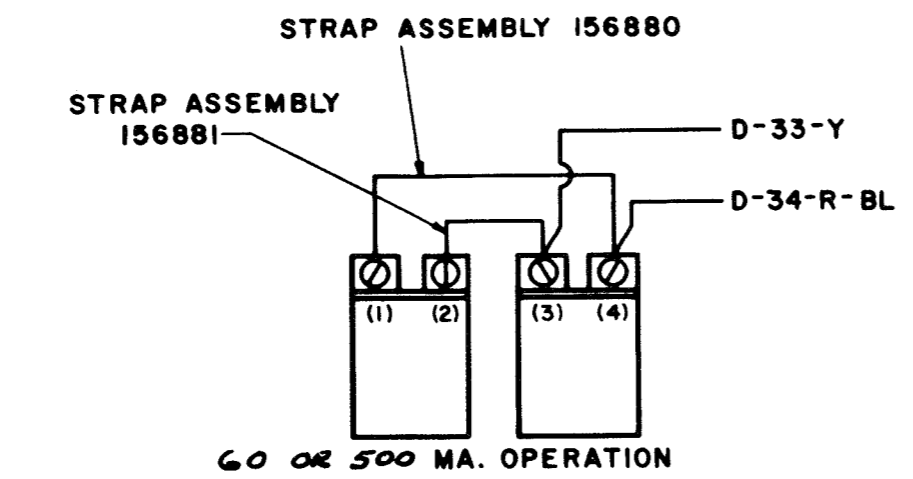
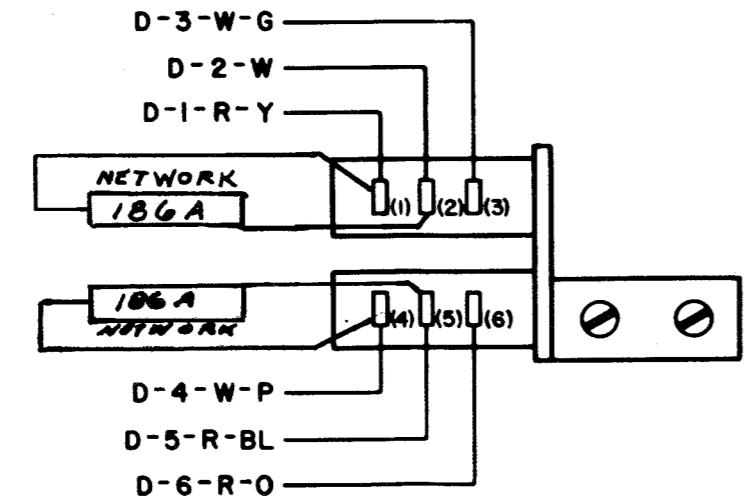


- NO. NOTES
- COLOR CODE
 BK BLACK G GREEN
 BR BROWN BL BLUE
 R RED P PURPLE
 O ORANGE S SLATE
 Y YELLOW W WHITE
 - WIRING LEGEND
 DISTANT TERMINAL AREA
 DISTANT TERMINAL DESIGNATION
 WIRE COLOR CODE
 D-4-BL
 - TERMINALS DESIGNATED IN PARENTHESES ARE NOT MARKED ON COMPONENTS.
 - TERMINALS ON CONNECTOR SHOWN AS VIEWED FROM SOLDER END.
 - THE SPACING (S) SIDE ON THE CODE READING CONTACTS ARE NORMALLY CLOSED. THE MARKING (M) SIDE OF THE CODE READING CONTACTS ARE NORMALLY OPEN.
 - WHEN THE AUXILIARY CONTACTS ARE OPERATED FROM A SINGLE CYCLE FUNCTION CAM, THE CONTACTS NEAREST THE MOUNTING BRACKET ARE NORMALLY CLOSED.

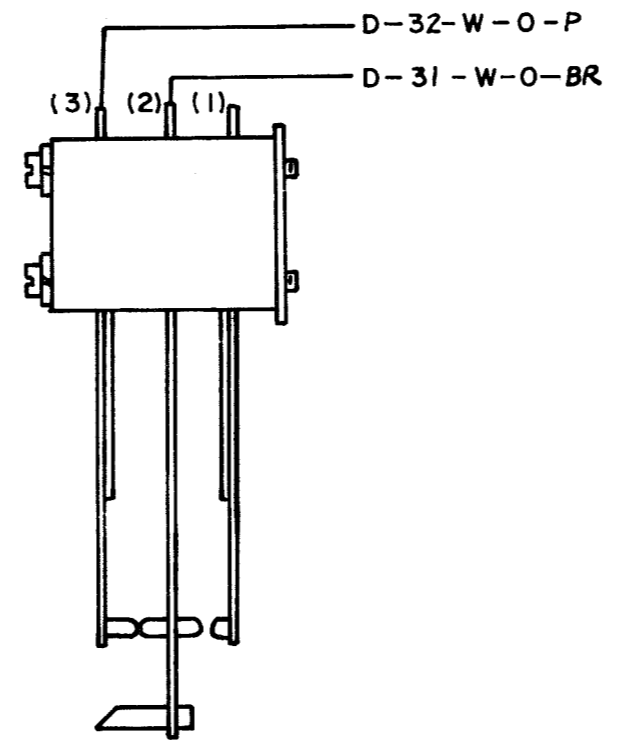
A
 SELECTOR MAGNETS



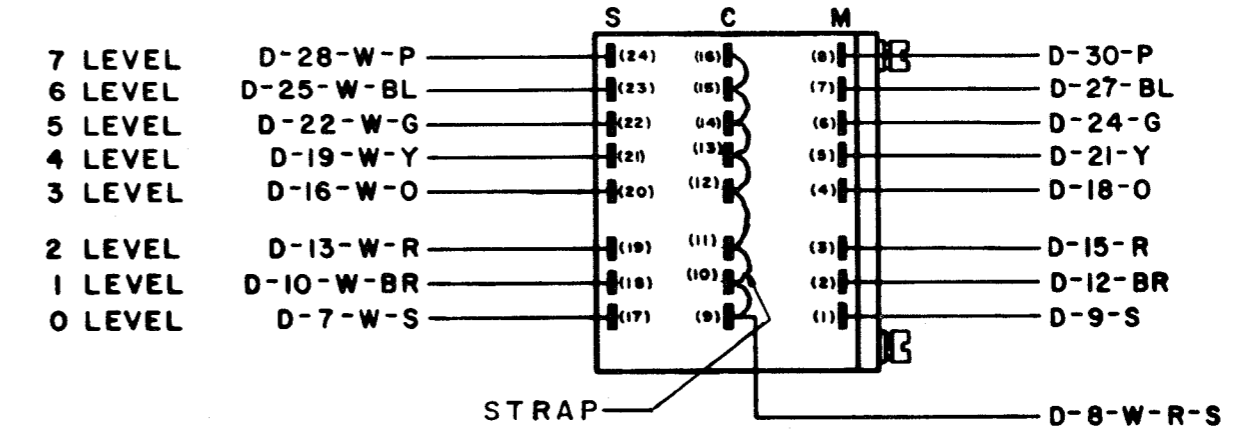
C
 AUXILIARY CONTACTS



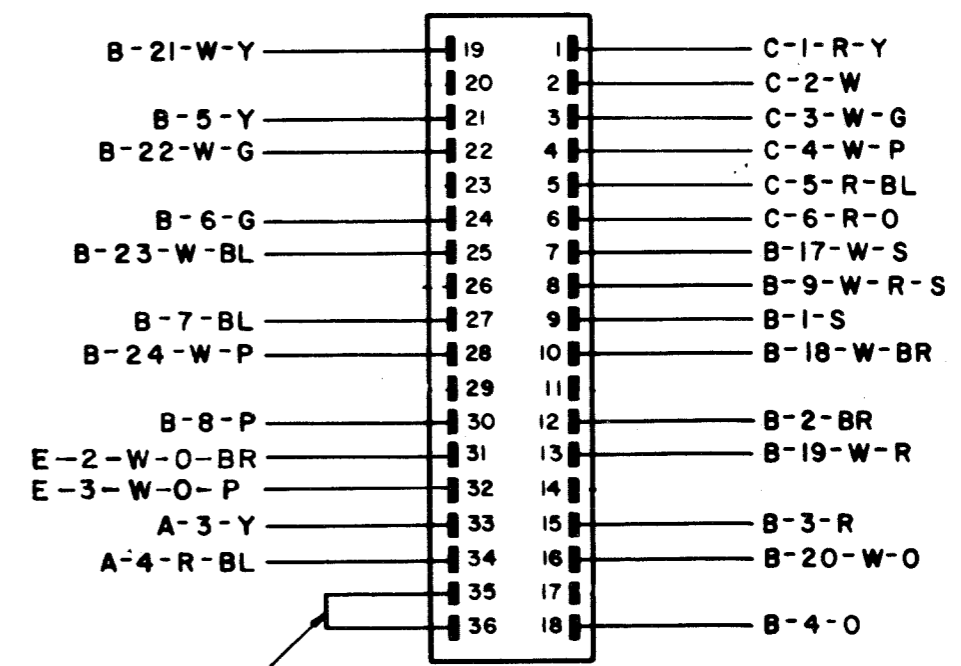
E
 SELECTOR CONTACTS



B
 CODE READING CONTACTS



D
 36 POINT CONNECTOR



THESE TERMINALS ARE TO BE STRAPPED WITH NO.20 GAGE WIRE.

RTTY ELECTRONICS
 TELETYPE Sales-Service-Parts
 PO Box 20101 El Sobrante, Ca.
 94820. (510)222-3102
 mr_rtty@pacbell.net

APPROVALS
 D AND R E OF M
 E-NUMBER
 PROD. NO. 5964 WD
 ACTUAL WIRING DIAGRAM
 MODEL 35
 RECEIVING SELECTOR (8 LEVEL)
 LRS801
 DATE: 2 NOV '62
 P.D. FILE NO. 3-95AAA
 DRAWN. CHKD.
 ENGD. PHB APPD.
 TELETYPE CORPORATION
 5964 WD