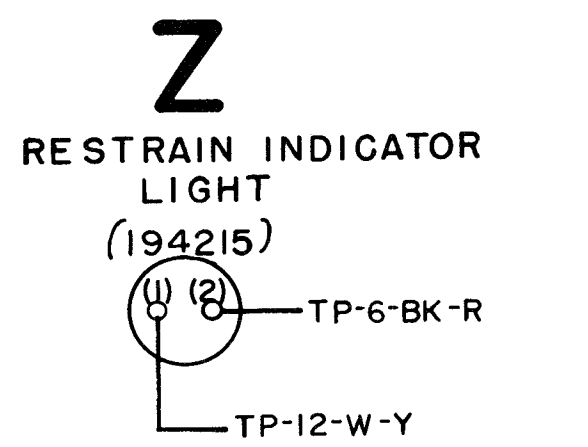
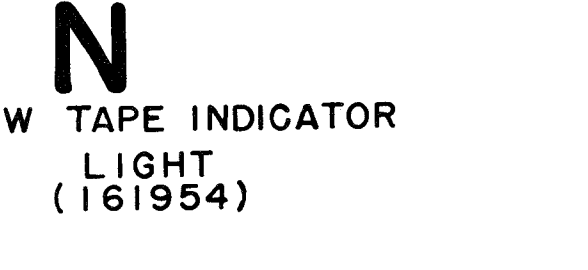
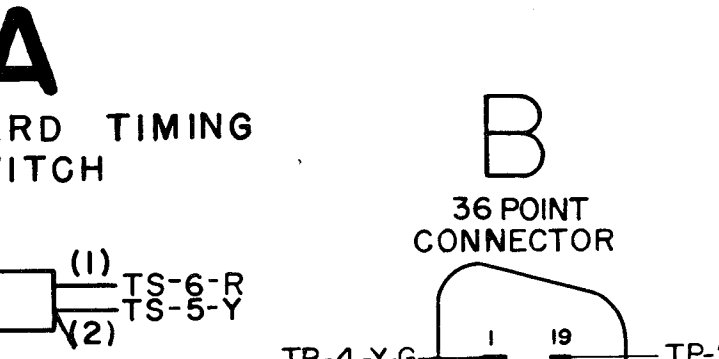
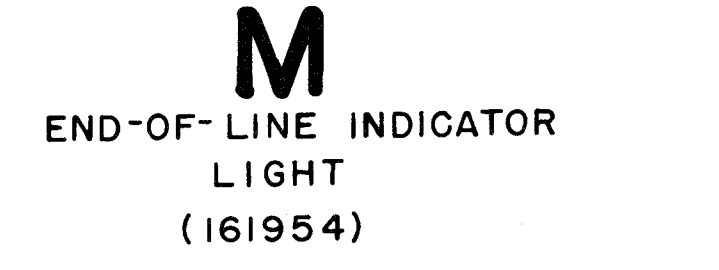
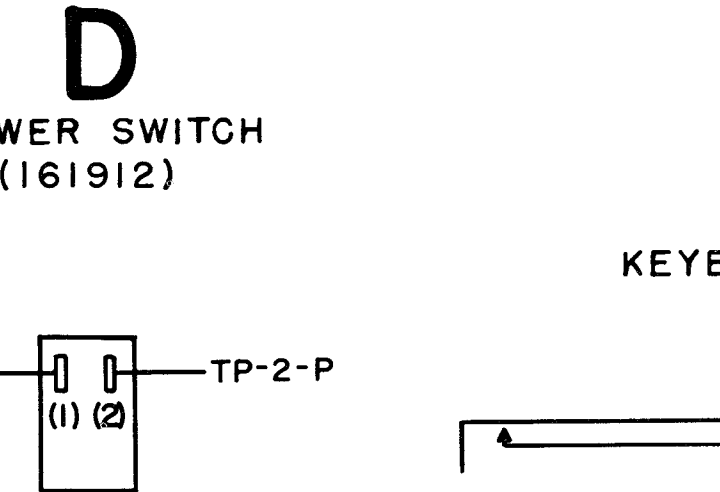
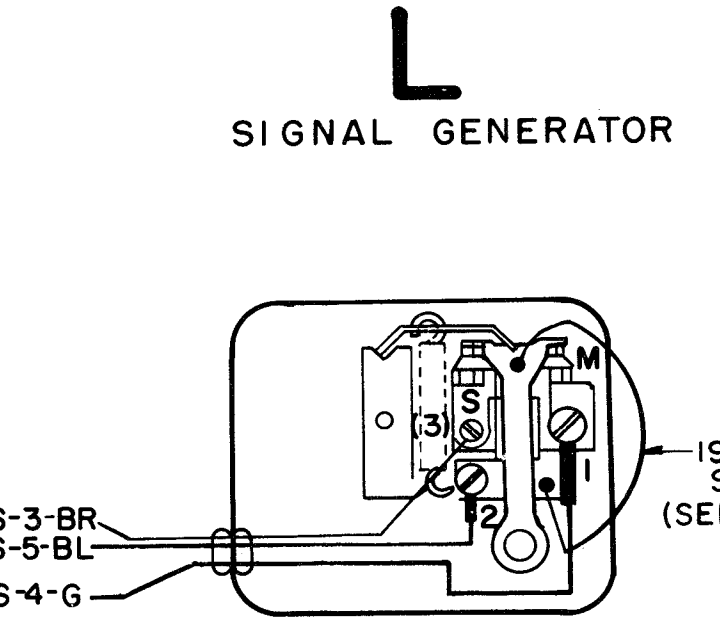
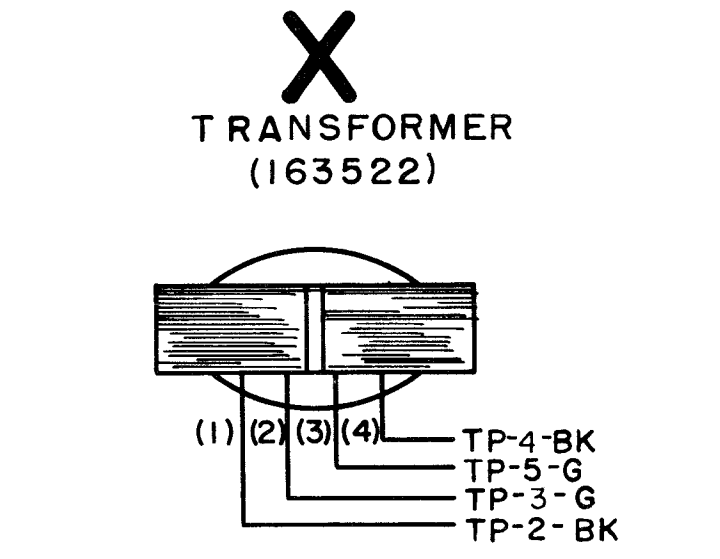
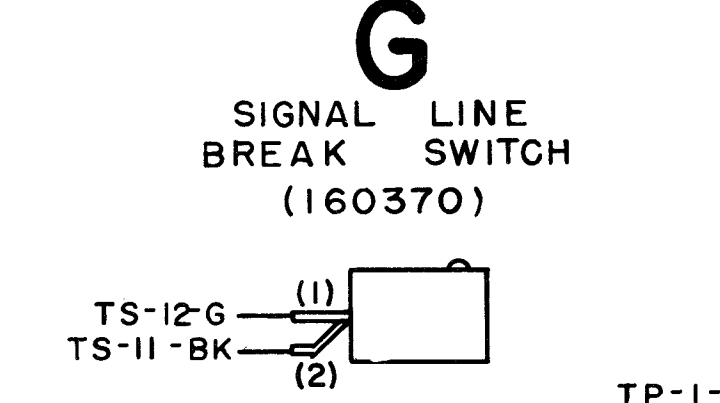
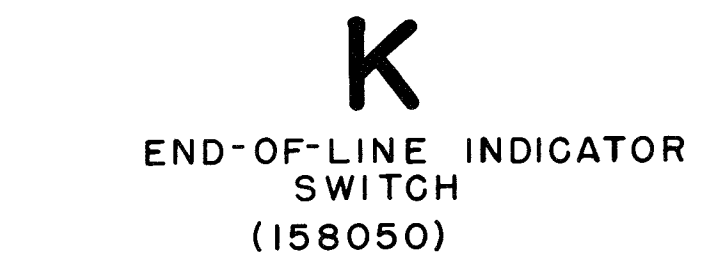
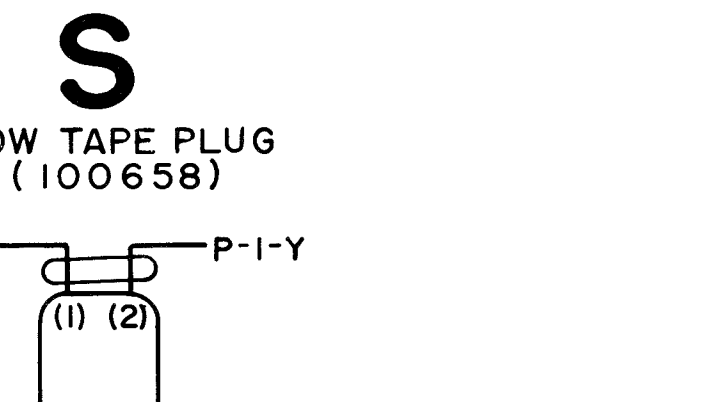
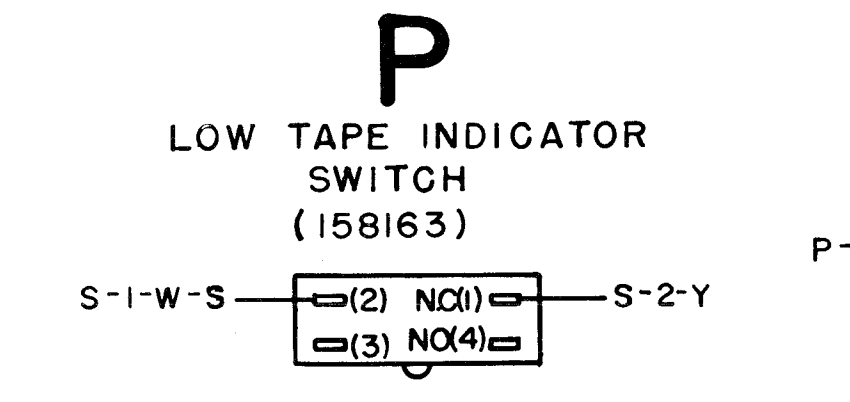
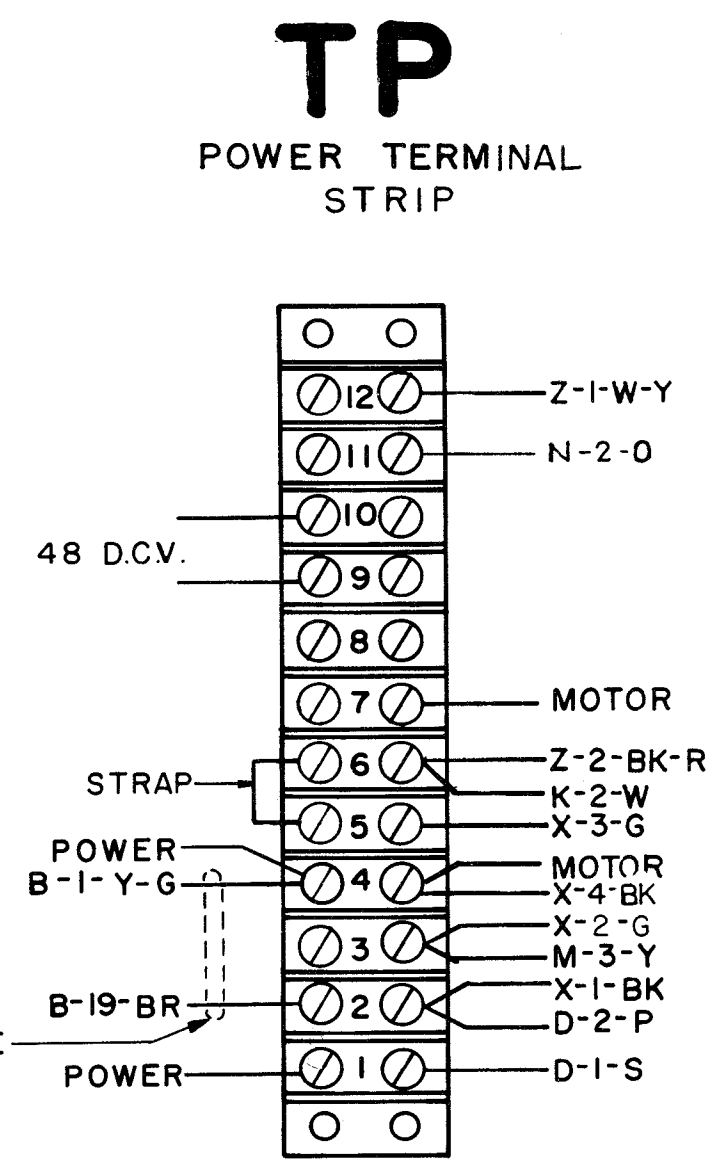
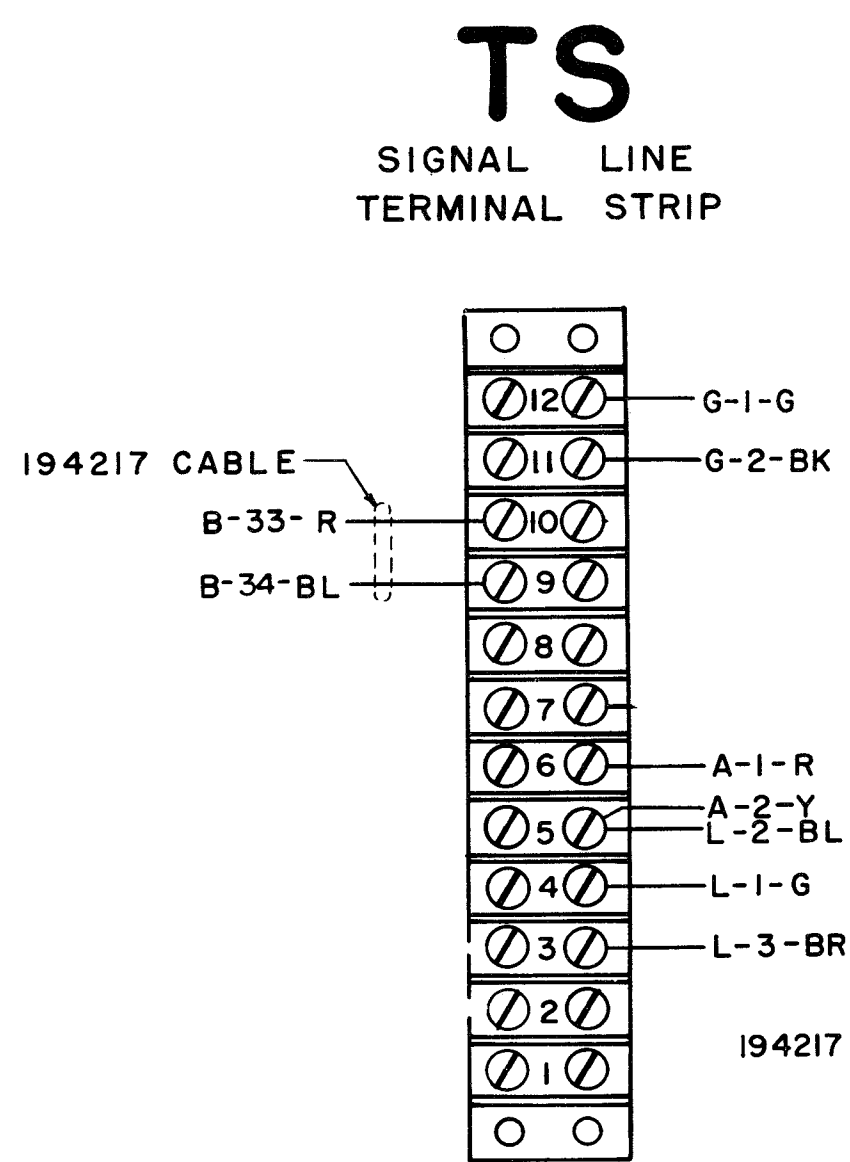


NO.	NOTES										
1	<p>WIRING LEGEND</p> <p>— DISTANT TERMINATING AREA — DISTANT TERMINAL DESIGNATION</p> <p>A-I-W-BL — WIRE COLOR CODE</p>										
2	<p>COLOR CODE</p> <table border="0"> <tr> <td>BK - BLACK</td> <td>G - GREEN</td> </tr> <tr> <td>BR - BROWN</td> <td>BL - BLUE</td> </tr> <tr> <td>R - RED</td> <td>P - PURPLE</td> </tr> <tr> <td>O - ORANGE</td> <td>S - SLATE</td> </tr> <tr> <td>Y - YELLOW</td> <td>W - WHITE</td> </tr> </table>	BK - BLACK	G - GREEN	BR - BROWN	BL - BLUE	R - RED	P - PURPLE	O - ORANGE	S - SLATE	Y - YELLOW	W - WHITE
BK - BLACK	G - GREEN										
BR - BROWN	BL - BLUE										
R - RED	P - PURPLE										
O - ORANGE	S - SLATE										
Y - YELLOW	W - WHITE										
3	THE 195648 STRAP IS NOT PRESENT ON EARLY MANUFACTURED UNITS.										

RTTY ELECTRONICS
TELETYPE-Service-Parts
PO Box 20101, Sobrante, Ca.
94820. (510)222-3102
mr_rtty@pacbell.net



5934WD		
REVISIONS		
ISSUE	DATE	AUTH NO.
2	2-12-63	75851
3	3-13-63	76017
4	5-27-63	76795
5	10-22-64	84119
6	8-11-66	91236

APPROVALS
D AND R E OF M

E NUMBER
PROD NO 5934 WD.

ACTUAL WIRING DIAGRAM FOR MODEL 35 KEYBOARD LTPK-802, LTPK-805

DATE: 7-5-62
PD FILE 3-18/162.151AA
DRW. GLZ CHK
ENG. JAC APP

TELETYPE CORPORATION

5934WD