

- NO. NOTES**
- WIRING LEGEND:**

BK - BLACK	G - GREEN
BR - BROWN	BL - BROWN
R - RED	P - PURPLE
O - ORANGE	W - WHITE
Y - YELLOW	S - SLATE
 - COLOR CODE:**

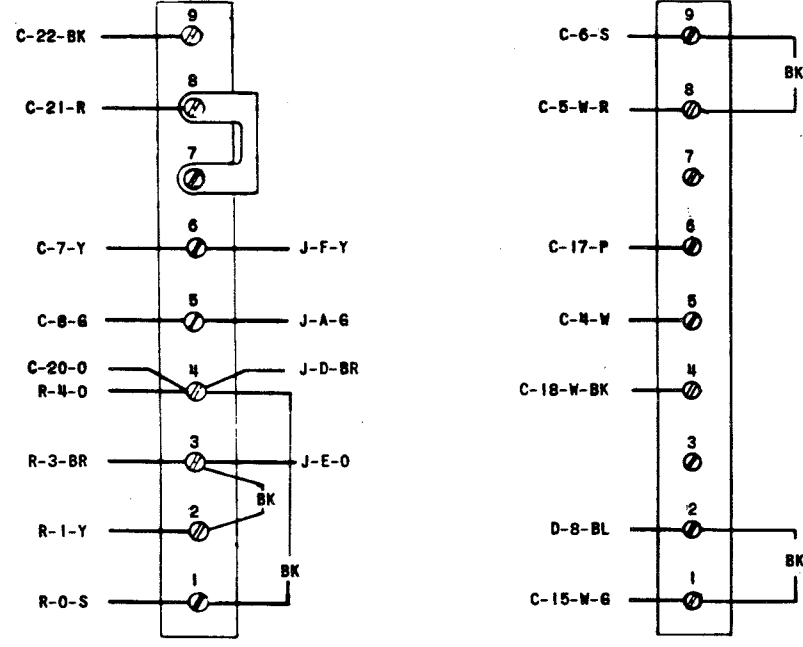
BK - BLACK	G - GREEN
BR - BROWN	BL - BROWN
R - RED	P - PURPLE
O - ORANGE	W - WHITE
Y - YELLOW	S - SLATE
 - UNIT WIRED FOR 115 VOLTS, 50-60 CYCLE A.C. POWER INPUT ONLY.
 - PLUGS VIEWED FROM SOLDER TERMINAL ENDS.
 - CIRCUITS SHOWN FOR .060 AMP. NEUTRAL SIGNAL LINE OPERATION. FOR .020 AMP. NEUTRAL OPERATION, REMOVE CONNECTIONS AS SHOWN BELOW:

SIGNAL LINE CURRENT	CONNECTION REMOVED
.020 AMP.	J1 TO J2
 - LINE SHUNT RELAY SHOWN CONTROLLED BY POWER SWITCH.

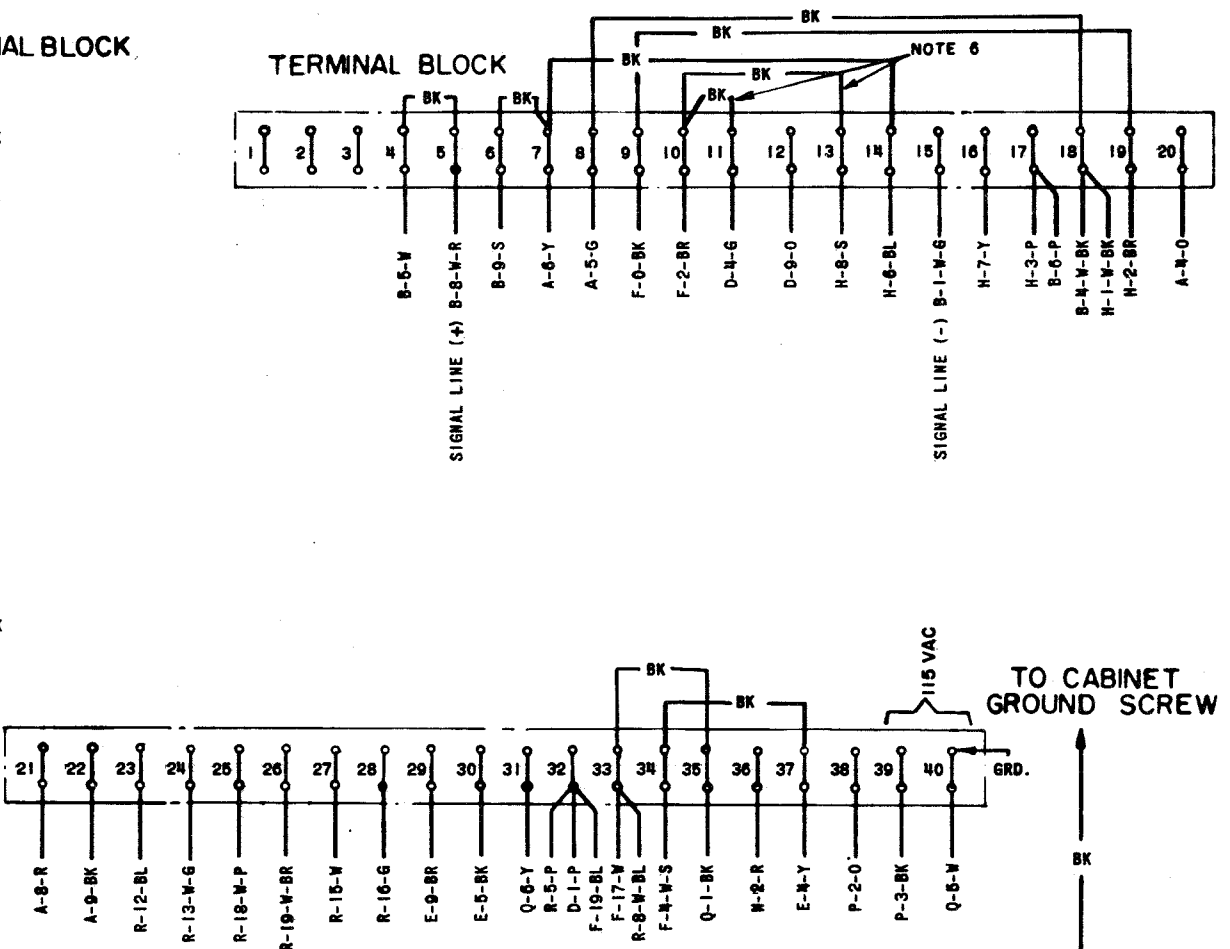
A. FOR KEYBOARD OPERATION, TERMINAL 13 MAY BE CONNECTED TO EITHER TERMINAL C-9, C-10, C-11 OR C-15 TO OBTAIN DESIRED SHUNTING OF THE SIGNAL LINE CIRCUIT.

B. WHEN SIGNAL LINE BREAK SWITCH IS NOT USED, CONNECT C-10 TO C-11.
 - THE SPARE LEADS FROM THE KEYBOARD AND TYPING UNIT CONNECTOR PLUGS ARE TERMINATED IN THE RIGHT AND LEFT ENDS OF THE ELECTRICAL SERVICE UNIT, RESPECTIVELY.
 - FOR SCHEMATIC WIRING DIAGRAM, SEE 5929WD.

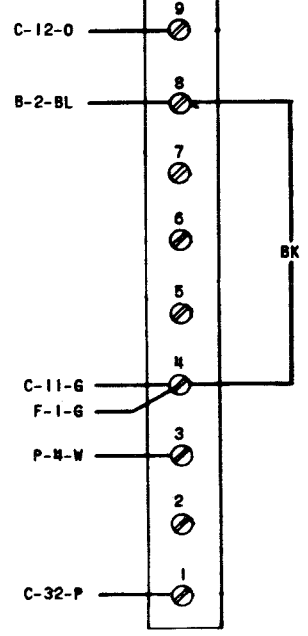
A SELECTOR MAGNET TERMINAL BLOCK
B LINE TEST KEY TERMINAL BLOCK



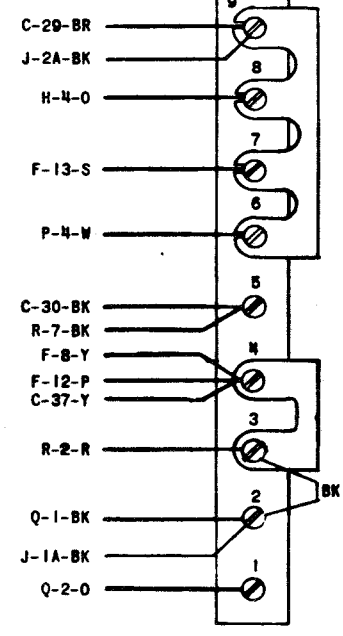
C CABINET TERMINAL BLOCK



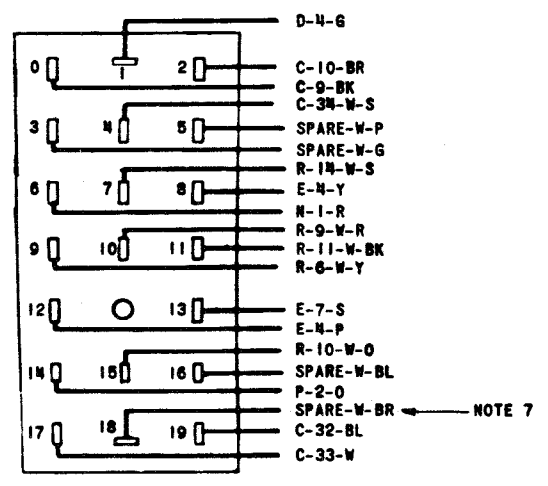
D MOTOR CONTROL TERMINAL BLOCK



E POWER TERMINAL BLOCK



F KEYBOARD CONNECTOR RECEPTACLE



NOTE: REVISION INFORMATION MUST ALSO BE REFLECTED ON THE ISSUE CONTROL RECORD, WHICH IS A PART OF THIS DRAWING.

5928WD		
REVISIONS		
ISSUE	DATE	AUTH. NO.
2	4-7-66	90222
3	10-26-67	90222-1-B

SEE ISSUE CONTROL RECORD FOR COMPLETE LIST OF SHEETS COMPRISING THIS W.D. SHEET 1

ACTUAL WIRING DIAGRAM FOR MODEL 28 ELECTRICAL SERVICE UNIT LESU95

APPROVALS	
D AND R	E OF M
-----	-----
E-NUMBER	
PROD. NO.	5928WD
DATE	9-1-62
P.D. FILE NO.	1-159/158.65AA
DRAWN	E.E.
CHKD.	
ENGD.	R.S.P.
APPD.	

TELETYPE CORPORATION
5928WD

RTTY ELECTRONICS
 TELETYPE-Sales-Service-Parts
 PO Box 20101 El Sobrante, Ca.
 94820. (510)222-3102
 rty_rty@pacbell.net

SEE SHEET 1 FOR NOTES.

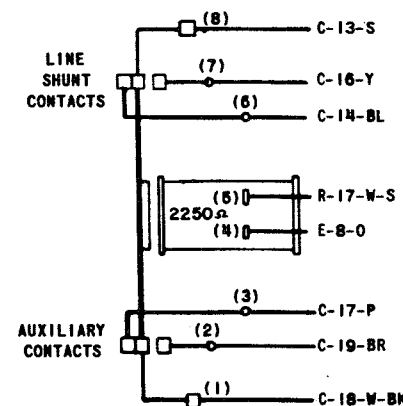
NOTE:
REVISION INFORMATION MUST
ALSO BE REFLECTED ON THE
ISSUE CONTROL RECORD, WHICH
IS A PART OF THIS DRAWING.

5928 WD

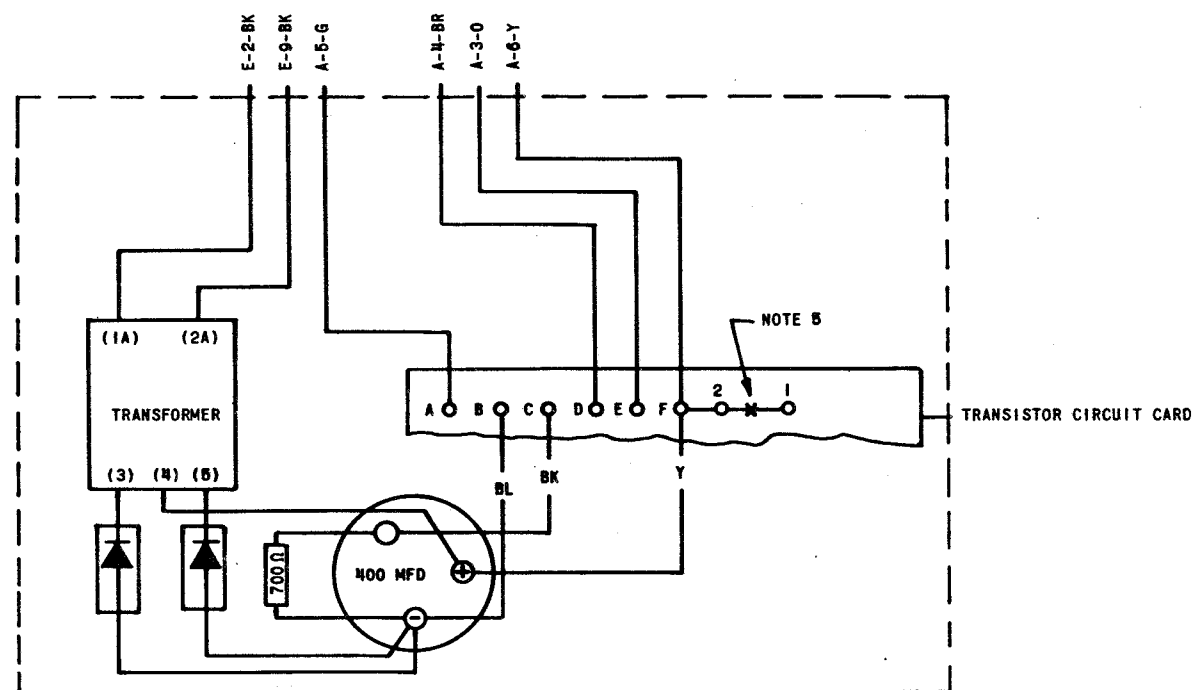
REVISIONS

ISSUE	DATE	AUTH. NO.
2	4-7-66	90222

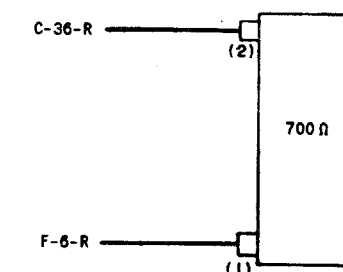
H
LINE SHUNT RELAY



J
TYPING UNIT SELECTOR
MAGNET DRIVER

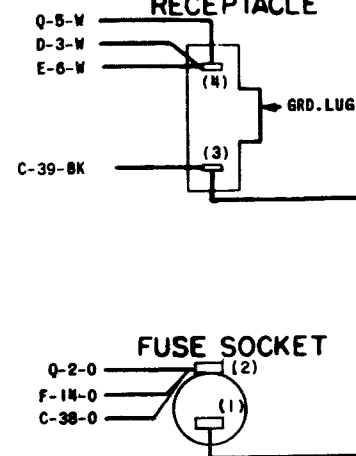


N
MARGIN
INDICATOR
LAMP
RESISTOR

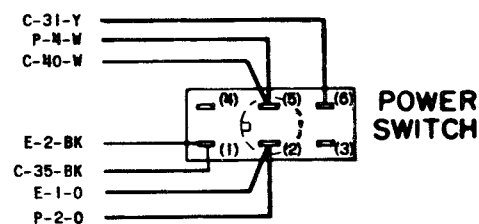


SEE ISSUE CONTROL RECORD FOR COMPLETE
LIST OF SHEETS COMPRISING THIS W.D.
SHEET 2

P
CONVENIENCE
RECEPTACLE

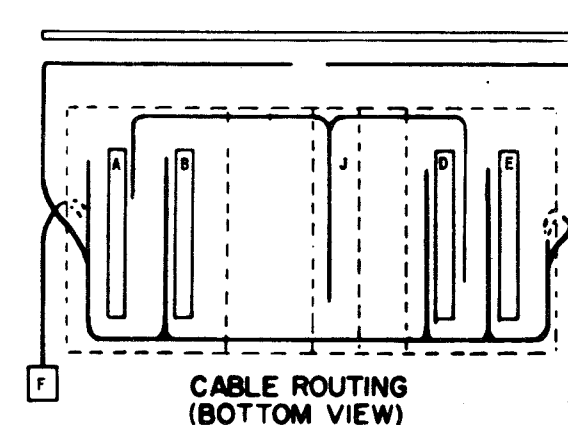
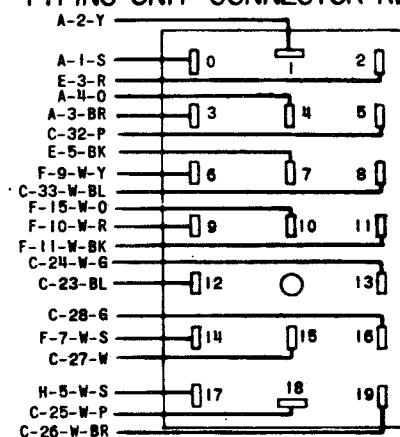


Q



R

TYPING UNIT CONNECTOR RECEPTACLE



ACTUAL
WIRING DIAGRAM
FOR
MODEL 28
ELECTRICAL
SERVICE UNIT
LES095

APPROVALS

D AND R	E OF M

E-NUMBER
PROD. NO. 5928WD
DATE 9-1-62
P.D. FILE NO. 1-156/158.65AA
DRAWN E.E. CHKD.
ENGD. R.S.P. APPD.

**TELETYPE
CORPORATION**

5928WD