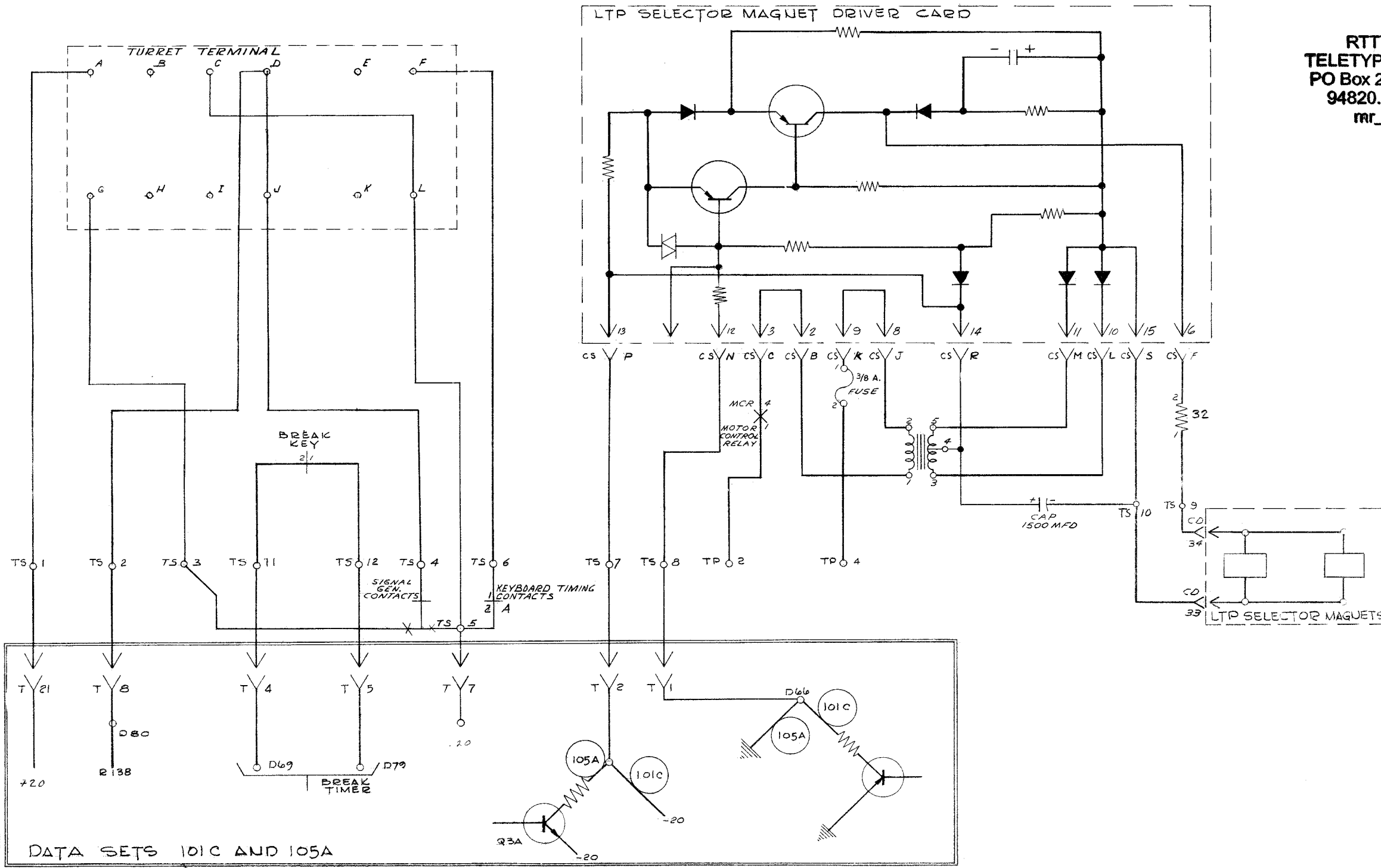


LEGEND
 YP ON LESU
 12 PT. TERM.
 STRIP
 TS ON LESU
 12 PT. TERM.
 STRIP
 CD ON KYBD.
 36 PT.
 CONNECTOR
 CS ON LESU
 15 PT. CARD
 CONNECTOR

5893WD

ISSUE	DATE	AUTH. NO
A	2-6-63	75873

RTTY ELECTRONICS
 TELETYPE=Sales-Service-Parts
 PO Box 20101 El Sobrante, Ca.
 94820. (510)222-3102
 mr_rtty@pacbell.net



SCHEMATIC WIRING
 DIAGRAM FOR
 TAPE
 TELETYPEWRITER
 35AE

APPROVALS	
D AND R	E OF M
<i>[Signature]</i>	<i>[Signature]</i>
E-NUMBER	
PROD. NO. 5893WD SH-1 OF-2	
DATE: APRIL 9 1962	
P.D. FILE NO. I-49.151AA	
DRAWN G.L.Z.	CHKD <i>[Signature]</i>
ENGD. J.A.C.	APPD. <i>[Signature]</i>

TELETYPE CORPORATION

5893WD