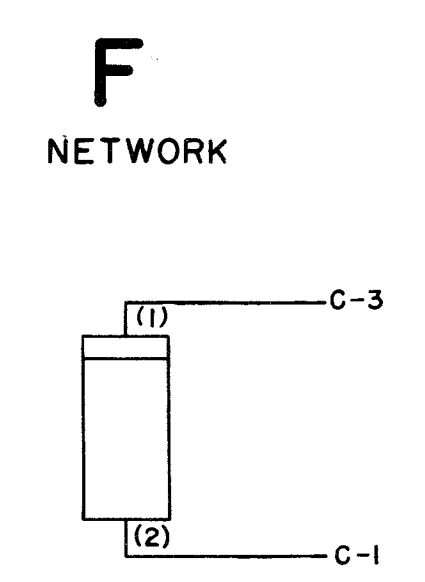
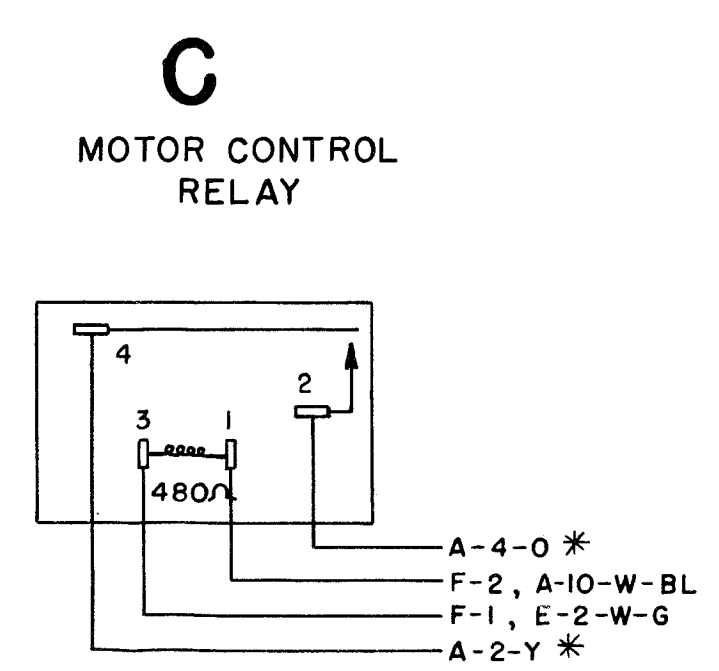
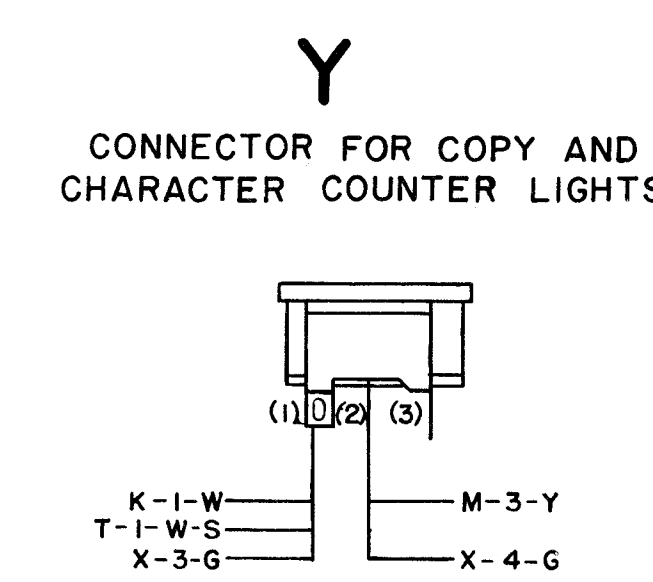
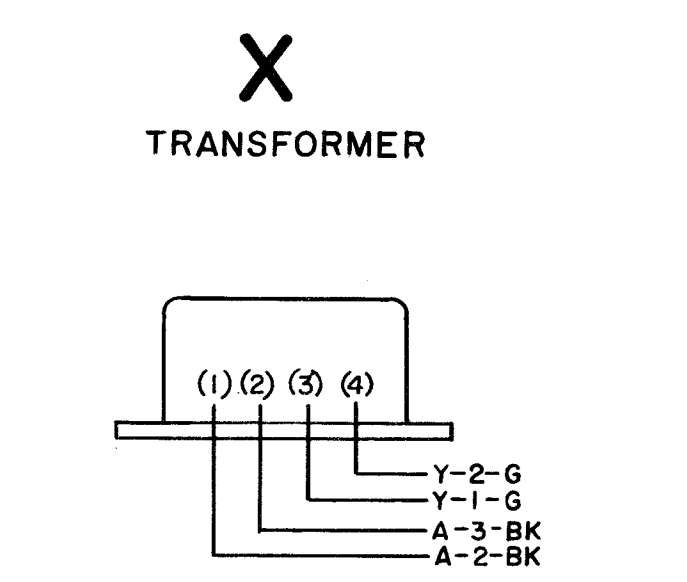
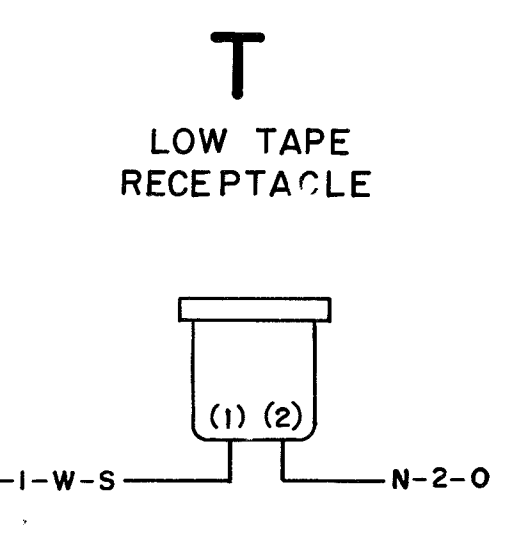
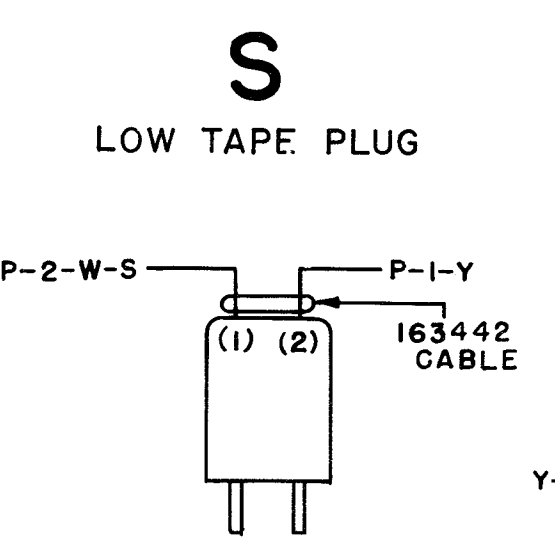
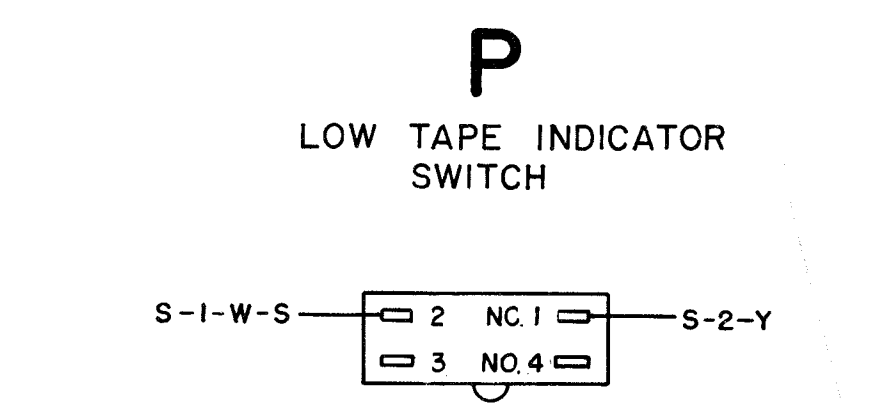
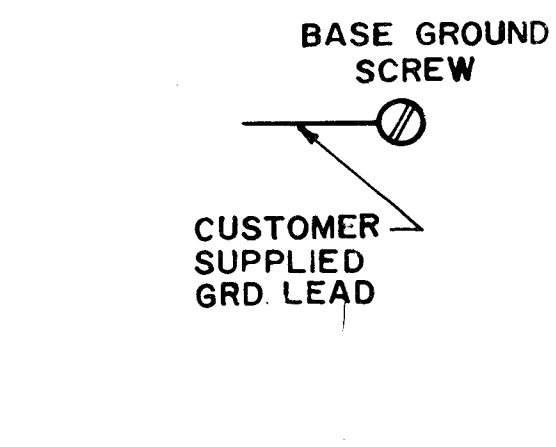
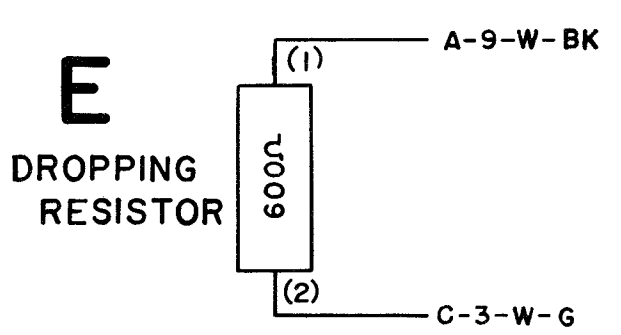
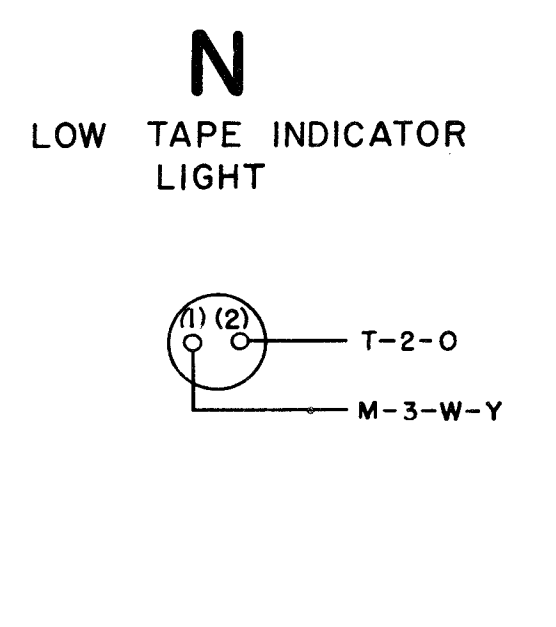
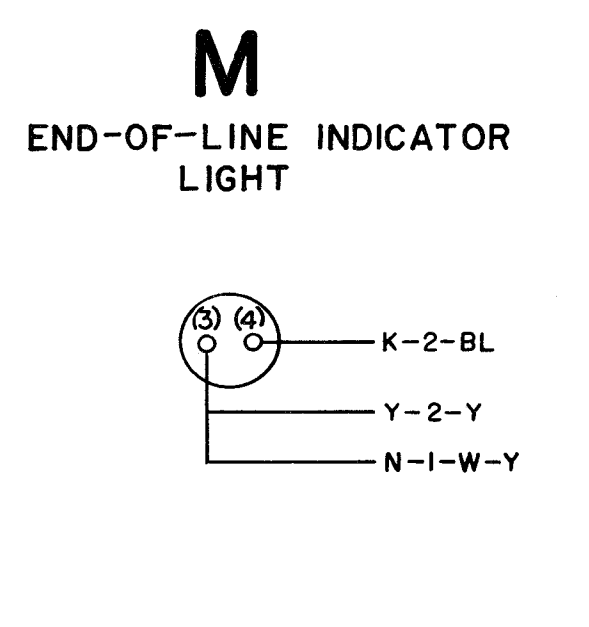
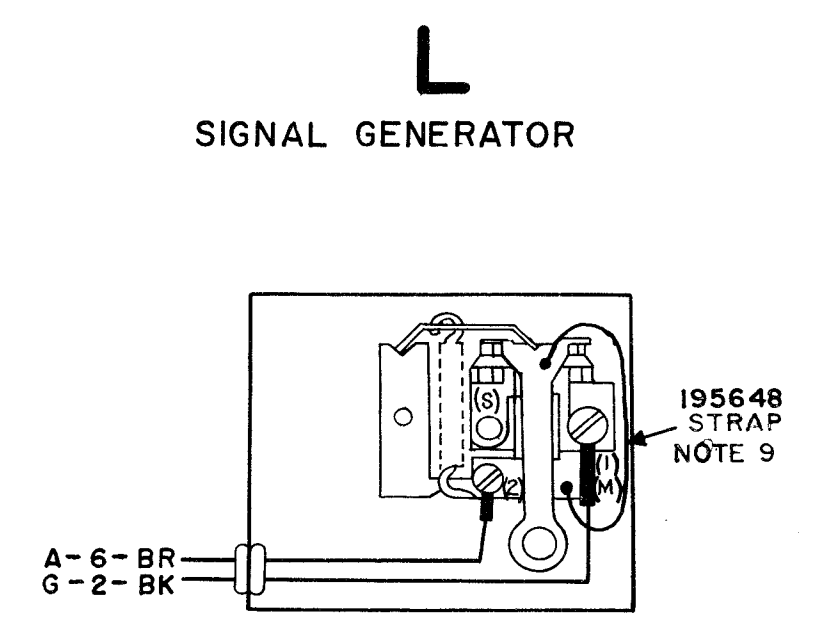
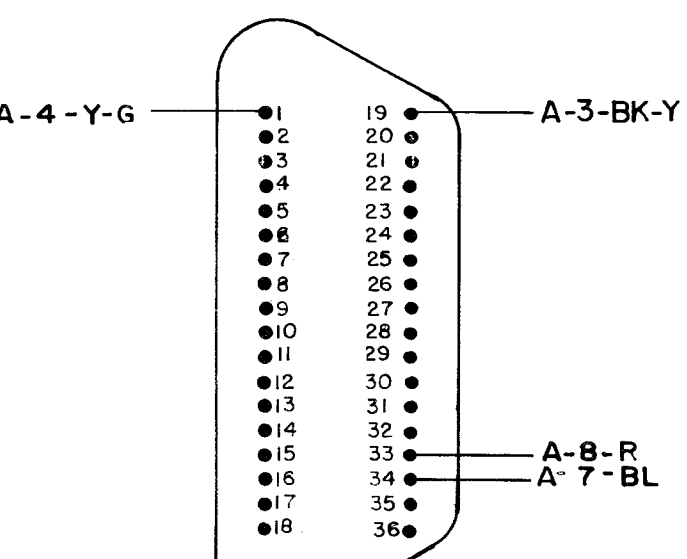
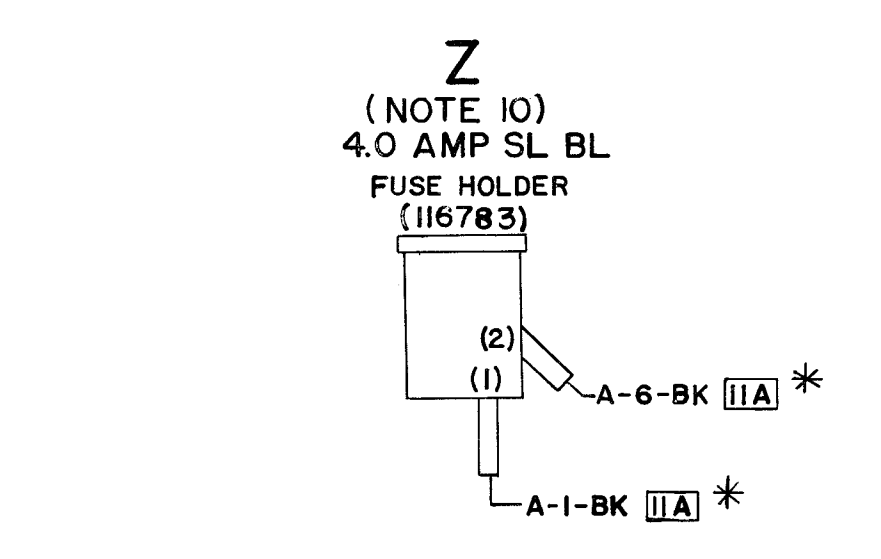
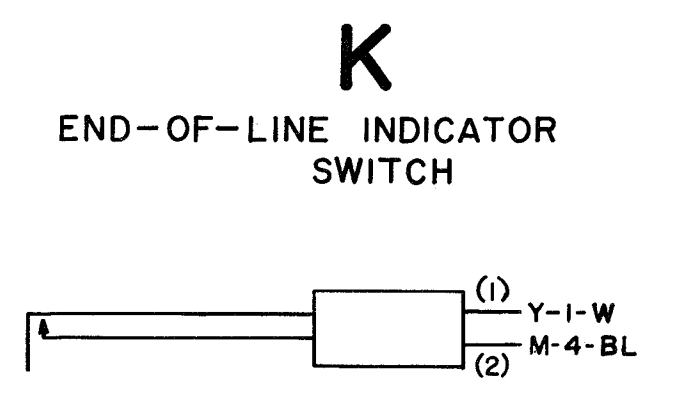
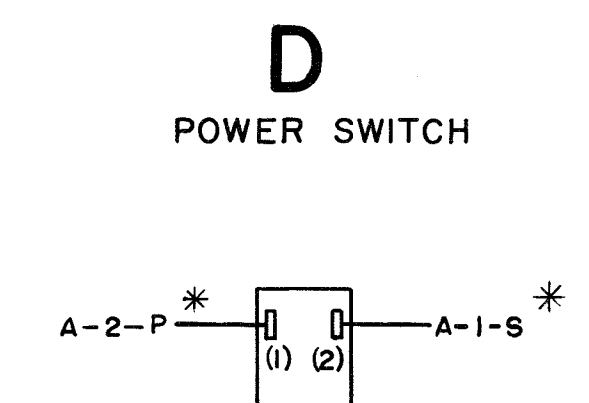
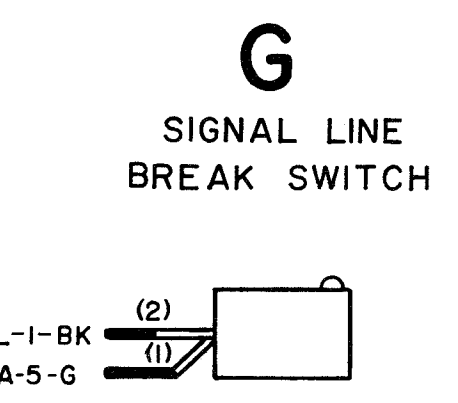
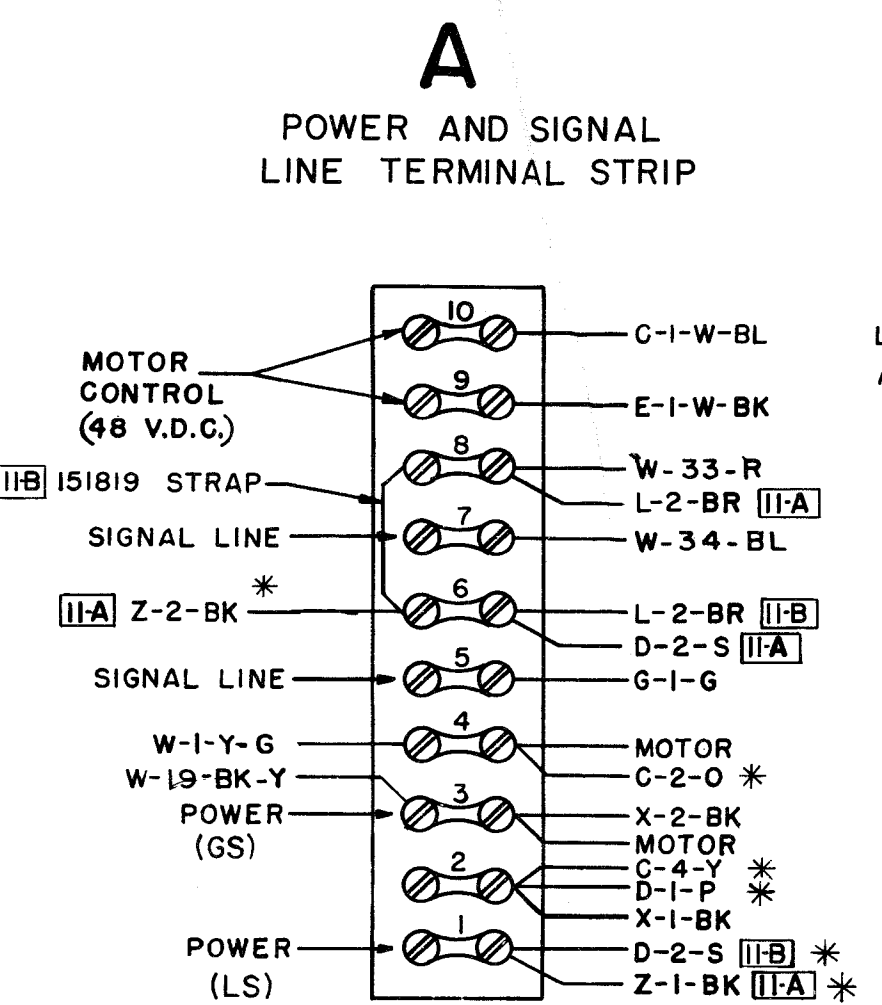


NO.	NOTES
1.	<p>WIRING LEGEND</p> <p>DISTANT TERMINATING AREA DISTANT TERMINAL DESIGNATION A-I-W-BL OO-A ← SEE NOTE 10 WIRE COLOR CODE</p>
2.	<p>COLOR CODE</p> <p>BK - BLACK BR - BROWN R - RED O - ORANGE Y - YELLOW G - GREEN BL - BLUE P - PURPLE S - SLATE W - WHITE</p>
3.	UNIT WIRED FOR 115 VOLTS AC POWER INPUT.
4.	CONNECTORS VIEWED FROM SOLDER TERMINAL ENDS.
5.	<p>ASSOCIATED CABLE ASSEMBLIES:</p> <p>163442 - CABLE ASSEMBLY. 193827 - CABLE ASSEMBLY. 165661 - CABLE ASSEMBLY.</p>
6.	<p>FOR SCHEMATIC WIRING DIAGRAM SEE:</p> <p>5869WD FOR 35AB AND 35AB-X3 SET 7792WD FOR 35BN SET</p>
7.	TERMINAL DESIGNATIONS ENCLOSED IN PARENTHESES ARE FOR REFERENCE AND ARE NOT MARKED ON COMPONENT.
8.	
9.	THE 195648 STRAP IS NOT PRESENT ON EARLY MANUFACTURED UNITS.
10.	<p>WIRING STATUS: RECTANGULAR BOX INDICATES HISTORY OF WIRING CHANGES.</p> <p>OO-B B - DENOTES WIRING BEFORE THE CHANGE DESCRIBED BY THE DESIGNATED NOTE ENTERED THE PRODUCT.</p> <p>NOTE NUMBER</p> <p>OO-A A - DENOTES WIRING AFTER THE CHANGE DESCRIBED BY THE DESIGNATED NOTE ENTERED THE PRODUCT.</p>
11.	THE 4 AMP SL BL FUSE HAS BEEN ADDED. REMOVE THE 151819 STRAP ON THE LTPK 803 UNIT.
12.	* DENOTES 18 GA. WIRE



5868 WD		
REVISIONS		
ISSUE	DATE	AUTH. NO.
1	8-9-62	74179
2	10-22-64	84119
3	6-8-65	87059
4	6-16-65	87336
5	10-7-65	88128
6	2-3-66	89420
7	8-11-66	91236
8	10-24-67	94674-A
9	11-28-67	95015-RC
<p>RTTY ELECTRONICS TELETYPE Sales-Service-Parts PO Box 20101 El Sobrante, Ca. 94820 (510) 222-3102 mr_rtty@pacbell.net</p>		
APPROVALS		
D AND R	E OF M	
E-NUMBER		
PROD. 5868 WD		
<p>ACTUAL WIRING DIAGRAM MODEL 35 TAPE PRINTER KEYBOARD</p> <p>LTPK 800, LTPK 803</p>		
DATE		
P.D. FILE NO. 2-A151.219A		
DRAWN: J.D. CHKD: [Signature]		
ENGD. J.A.C. APPD. [Signature]		
TELETYPE CORPORATION		
5868 WD		