

5822WD

REVISIONS

ISSUE	DATE	AUTH. NO.
2	8-1-62	76 02
3	8-17-62	74274
4	8-17-62	74275
5	9-1-62	74499
6	10-12-62	74772
7	11-12-62	75085
8	12-13-62	75364
9	3-10-64	81104
10	3-31-65	86326
11	8-18-65	87498
12	4-6-66	90550
13	3-30-67	93019

NOTE: REVISION INFORMATION MUST ALSO BE REFLECTED ON THE ISSUE CONTROL RECORD, WHICH IS A PART OF THIS DRAWING.

SEE ISSUE CONTROL RECORD FOR COMPLETE LIST OF SHEETS COMPRISING THIS W.D.

SHEET 1

ACTUAL WIRING DIAGRAM OF ELECTRICAL SERVICE UNIT LESU 301 FOR MODEL 35 ASR

APPROVALS

D AND R *APK* E OF M *[Signature]*

E-NUMBER
 PROD. NO. 5822WD
 DATE *7-11-64*
 P.D. FILE NO. 1-159.151AA
 DRAWN R.W.D. CHKD.
 ENGD. W.E.C. APPD.

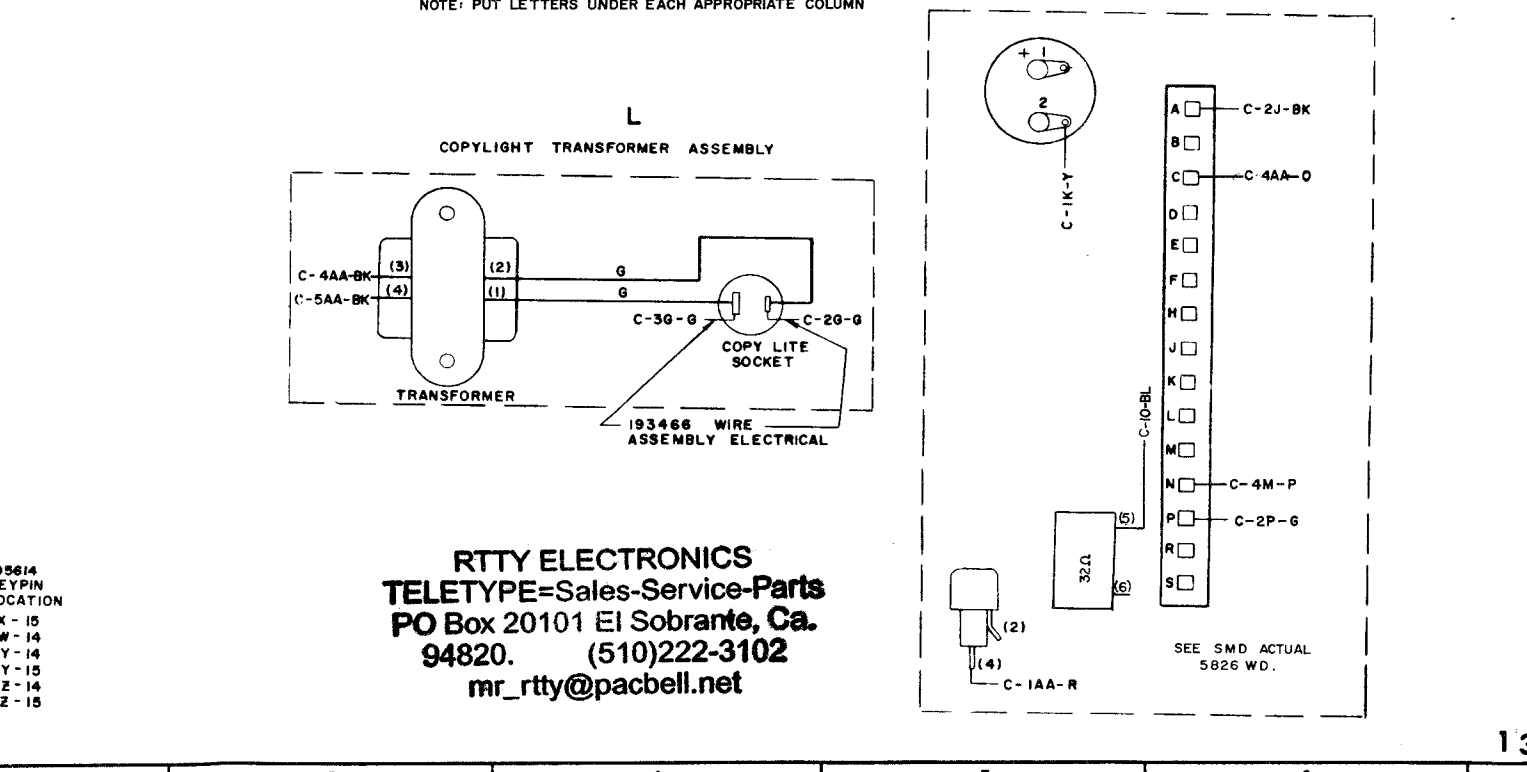
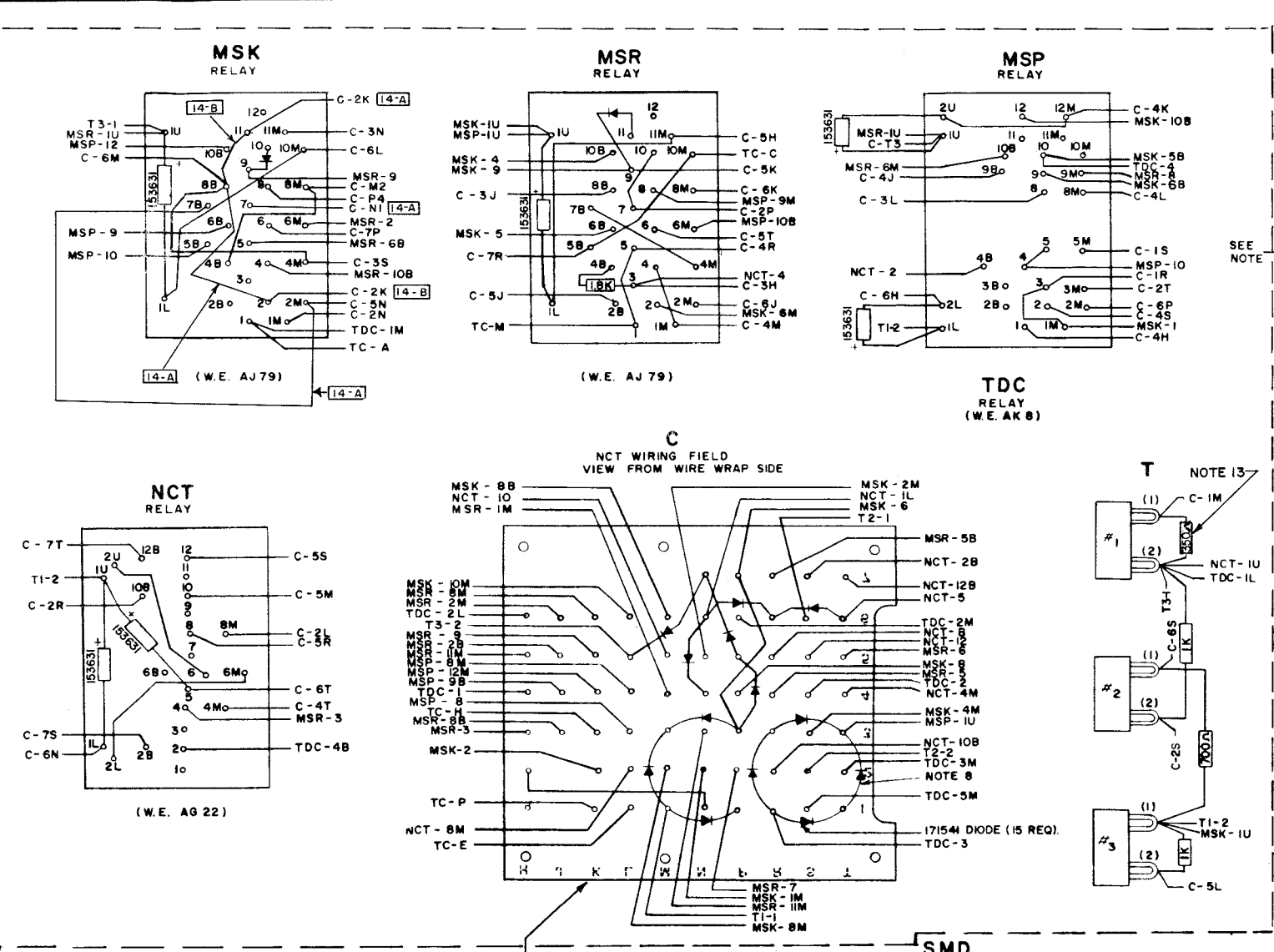
TELETYPE CORPORATION

5822WD

NO.	NOTES
1.	WIRING LEGEND: DISTANT TERMINATING AREA DISTANT TERMINATING DESIGNATION C-14-B-W-P [OO-A] SEE NOTE 15 WIRE COLOR CODE
2.	COLOR CODE: W-WHITE BK-BLACK O-ORANGE BR-BROWN Y-YELLOW BL-BLUE R-RED G-GREEN S-SLATE P-PURPLE
3.	UNIT WIRED FOR 115 VOLTS 60 CYCLES POWER INPUT ONLY.
4.	RECEPTACLES VIEWED FROM WIRING SIDE.
5.	* ASTERISK FOLLOWING WIRE COLOR INDICATES 18 GA. WIRE.
6.	ASSOCIATED CABLES: 193468 MAIN CABLE ASSEMBLY 193469 CALL CONTROL CABLE ASSEMBLY 193436 MODE SWITCHING CABLE ASSEMBLY
7.	CONNECT EITHER LEAD OF BELL TO AA-2 AND THE REMAINING LEAD TO AA-5 AS INDICATED WHEN THE LESU IS INSTALLED.
8.	ALL COMPONENT LEADS EXCEPT THE SILICON CONTROLLED RECTIFIER ARE COVERED BY 60339RM VINYL GLASS TUBING.
9.	ASSOCIATED WIRING DIAGRAMS AND DRAWINGS (ALSO SEE 6000WD-A1) 5826WD (SMD ACTUAL) 193440 (SMD CIRCUIT CARD) 4727WD (TRANSMITTER ACTUAL)
10.	UNITS USING VARIABLE CURRENT SELECTOR MAGNET DRIVER WITH 193440 CIRCUIT CARD ARE WIRED PER SHEETS 1 THRU 4 UNITS USING CONSTANT CURRENT SELECTOR MAGNET DRIVER WITH 182630 CIRCUIT CARD ARE WIRED PER SHEETS 5 THRU 8
11.	FOR "C" - NCT WIRING FIELD SEE SHEET 3.
12.	FOR "C" - MAIN WIRING FIELD SEE SHEET 4.
13.	RESISTOR CHANGED FROM 500 TO 350Ω TO MAINTAIN CIRCUIT CURRENT REQUIREMENT AT LOW (POWER LINE) INPUT VOLTAGE.
14.	WIRING WAS CHANGED TO PROVIDE PROPER MSK RELAY CONTACT OPERATION SEQUENCE WITH 323609 SIGNAL REGENERATOR CIRCUIT CARD. 326635 SPARK SUPPRESSION NETWORK WAS ADDED, AND TWO 197054 STRAPS WERE REPLACED BY A 326636 STRAP.
15.	WIRING STATUS: RECTANGULAR BOX INDICATES HISTORY OF WIRING CHANGES [OO-B] B - DENOTES WIRING BEFORE THE CHANGE DESCRIBED BY THE DESIGNATED NOTE ENTERED THE PRODUCT. [OO-A] A - DENOTES WIRING AFTER THE CHANGE DESCRIBED BY THE DESIGNATED NOTE ENTERED THE PRODUCT.

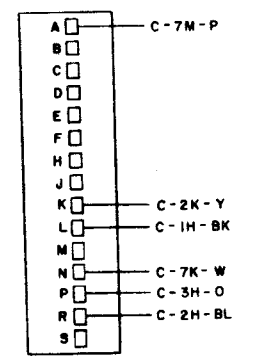
LEADS CONNECTED TO WIRING FIELDS		
TERMINAL DESIG.	TERMINATING POINT ON CONN.	COLOR
F-CONNECTOR		
C-3S	F2	BK
C-2M	F1	BR
C-1N	F3	W-BR
C-3N	F4	W
C-2N	F5	W-G
C-6N	F6	BK-G
C-2G	F7	O-BR
C-1F	F8	O-S
C-1D	F9	BK-
C-1	F10	R-BL
C-5AA	F17	O*
C-1AA	F32	R*
C-4AA	F50	G*
C-5N	F18	W-O-G
C-3N	F18	W-O-G
C-5N	F4	W
R-CONNECTOR		
C-9A	R1	W-Y
C-8A	R2	BR
C-6G	R3	BL
C-4C	R4	W-O-G
C-3M	R5	O-BR
C-3B	R6	W-O-BL
C-7F	R7	BK-Y
C-8C	R8	R-BR
C-8B	R9	W
C-8B	R10	W-G
C-4B	R11	W-P
C-2L	R12	G
C-2AA	R17	W-BL
C-7B	R18	BL-G
C-1G	R19	R-S
C-2B	R20	P
C-5A	R21	Y
C-4A	R22	O
C-10A	R25	W-R
C-5M	R24	O-S
C-7E	R26	BK
C-7T	R26	R-G
C-10B	R27	W-BR
C-5G	R28	W-O
C-8A	R29	BR-Y
C-3A	R34	BK-G
C-10C	R35	R-BL
C-9F	R36	R-Y
C-2A	R37	BK-R
C-1A	R38	R
C-1B	R39	W-BK-R
C-7I	R40	Y-G
C-7I	R41	BR-G
C-5B	R42	W-BK
C-9B	R43	W-S
C-5D	R44	R-O
C-3M	R45	O-G
C-4AA	R50	S
U-CONNECTOR		
C-4P	U2	BR-G
C-7K	U1	W-BK
C-1N	U3	BK-Y
C-7M	U4	W-Y
C-3D	U5	R-G
C-4D	U6	BK-BL
C-7D	U7	BL-S
C-9D	U8	R-S
C-6F	U9	BR-Y
C-4N	U10	G-S
C-1P	U11	W-P
C-1P	U12	W-S
C-8D	U24	BK-S
C-2K	U18	W-O-G
A-CONNECTOR		
C-5G	A1	BR-BL
C-3P	A2	W-O
C-5G	A3	R-BR
C-6R	A4	W-R
C-6Y	A5	BL
C-5R	A7	W-BL
C-7F	A10	G
C-1H	A11	R-G
C-1L	A12	O
X-CONNECTOR (6)		
C-1L	X1	R-S
C-4R	X2	W-BK
C-2A	X3	BK
C-3G	X4	W
C-7P	X5	G
C-5F	X6	BR-G
C-7E	X7	BL-G
C-3T	X8	W-Y
C-2R	X9	P
C-10A	X10	BR-BL
C-3A	X11	BL
C-6A	X12	Y-G
C-4C	X13	W-BR

LEADS CONNECTED TO WIRING FIELDS		
TERMINAL DESIG.	TERMINATING POINT TO CONN.	COLOR
W-CONNECTOR (7)		
C-1R	W1	BR-S
C-7N	W2	BK-BL
C-9A	W3	R-BR
C-8A	W4	O-BR
C-7N	W5	BL-G
C-1AA	W6	R-S
C-4AA	W7	O
C-5AA	W8	G
C-6S	W9	O-G
C-5L	W10	R-O
C-1T	W11	W-O-G
C-3R	W12	R-S
C-7B	W13	O-S
V-CONNECTOR (6)		
C-4E	V1	Y
C-3E	V2	W-P
C-6M	V3	BK-S
C-3H	V4	R-Y
C-2L	V5	R-BR
C-5S	V6	BR
C-5A	V7	R-O
C-8B	V8	W-O
C-10C	V9	O-S
C-1B	V10	G-S
C-1A	V11	BK-BR
C-4F	V12	W-G
C-3B	V13	G
C-8C	V14	BK-O
C-5P	V15	BK-G
Z-CONNECTOR (3)		
C-2B	Z2	BR-S
C-7S	Z4	O-S
C-1G	Z5	BR
C-2E	Z6	G-S
C-3S	Z7	O
C-3L	Z8	BK-R
C-2F	Z9	BR-Y
C-4N	Z10	BL-S
C-4S	Z11	R
C-3K	Z12	BR-BL
C-4L	Z1	Y
C-6B	Z13	BK-BL
Y-CONNECTOR (4)		
C-5B	Y1	W-BL
C-4A	Y2	S
C-9B	Y3	R-Y
C-5T	Y4	W-G
C-5D	Y5	BK-R
C-6D	Y6	P
C-7D	Y7	BK-G
C-8D	Y8	O
C-1E	Y9	W-BK
C-4T	Y10	R-BL
C-2T	Y11	W-O-BL
C-1S	Y12	W-BK-R
CD LAMP STRIP		
C-5J	CD-HL	W-O-BR
C-6J	CD-IL	W-G
C-4J	CD-2L	W-R-BK
C-3J	CD-3L	W-BL-O
C-6K	CD-4L	S
C-2E	CD-5L	R
C-2S	CD-HLG	G
CE LAMP STRIP		
C-2F	CE-2L	W-R
C-4H	CE-3L	W-R-O
CA MODE SWITCHING		
C-6L	CA-3	O
C-7E	CA-10	W-R-S
C-5K	CA-14	W-BR
C-4K	CA-15	BL
C-5H	CA-21	Y
C-7P	CA-24	BR
C-2G	CA-25	BK
CB TD CONTROL		
C-3E	CB-1	W-R-BR
C-4E	CB-2	W-O-G
C-5R	CB-4	W-O
C-7A	CB-5	W-G-S
C-5S	CB-6	W-BL
C-5M	CB-10	W-G-BK
C-7E	CB-12	W-S
C-7E	CB-13	W-O-BK
C-7S	CB-15	W-BR-S
C-6H	CB-19	W-O-S
C-8D	CB-20	W-R-G
C-10B	CB-24	W-R-BL
C-1E	CB-25	W-BL-R

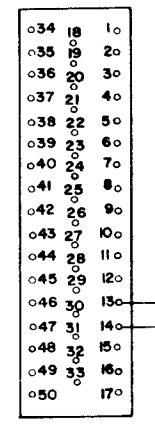


195614
 KEYPIN
 LOCATION
 X-15
 W-14
 Y-14
 Y-15
 Z-14
 Z-15

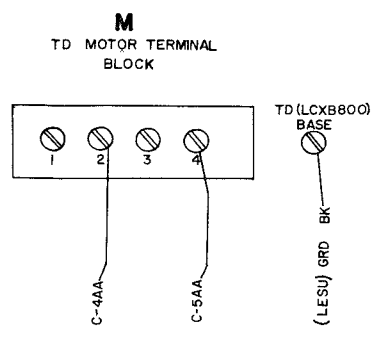
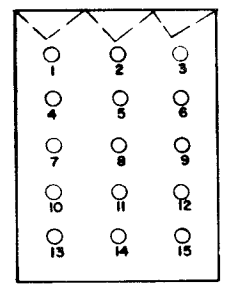
AB
CARD CONNECTOR
(REGENERATOR)



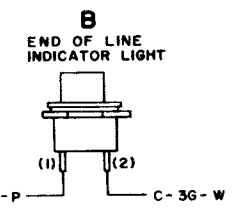
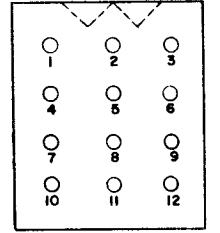
FR&U
KBD, LP & TD CONNECTORS
SEE CHART



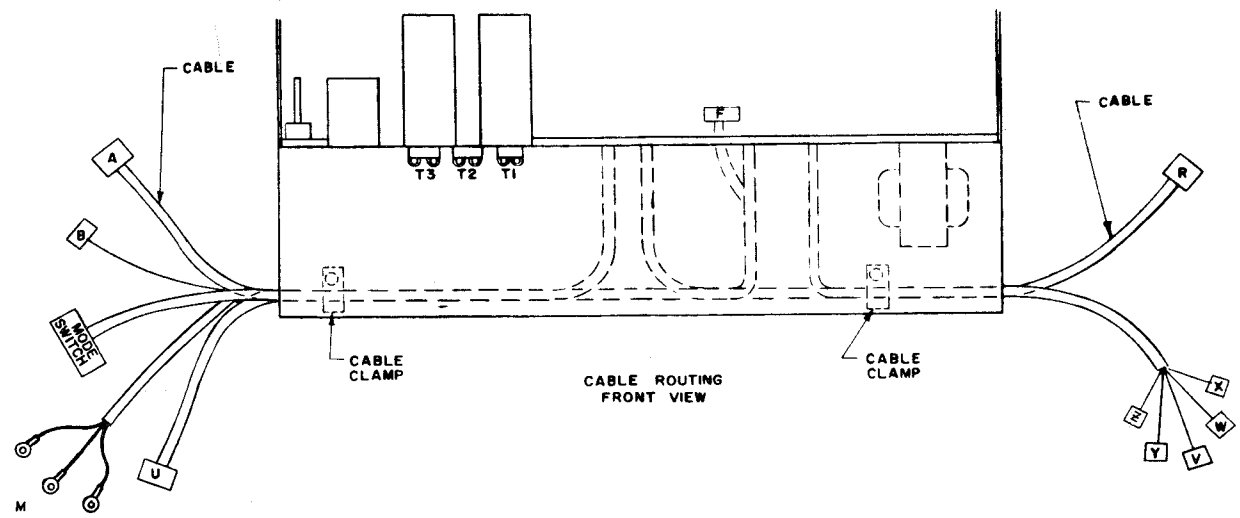
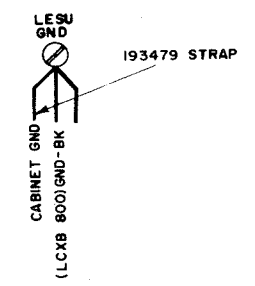
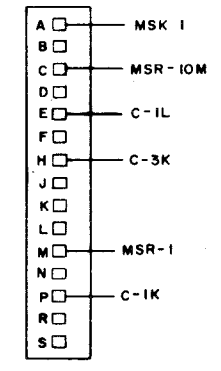
XWVZ&Y
CALL CONTROL CONNECTORS
SEE CHART



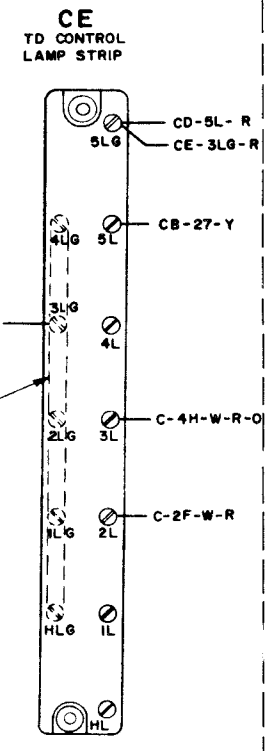
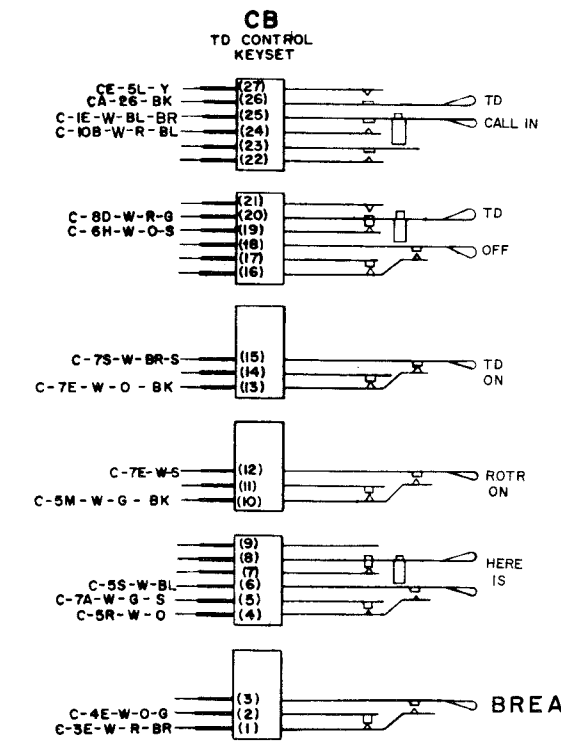
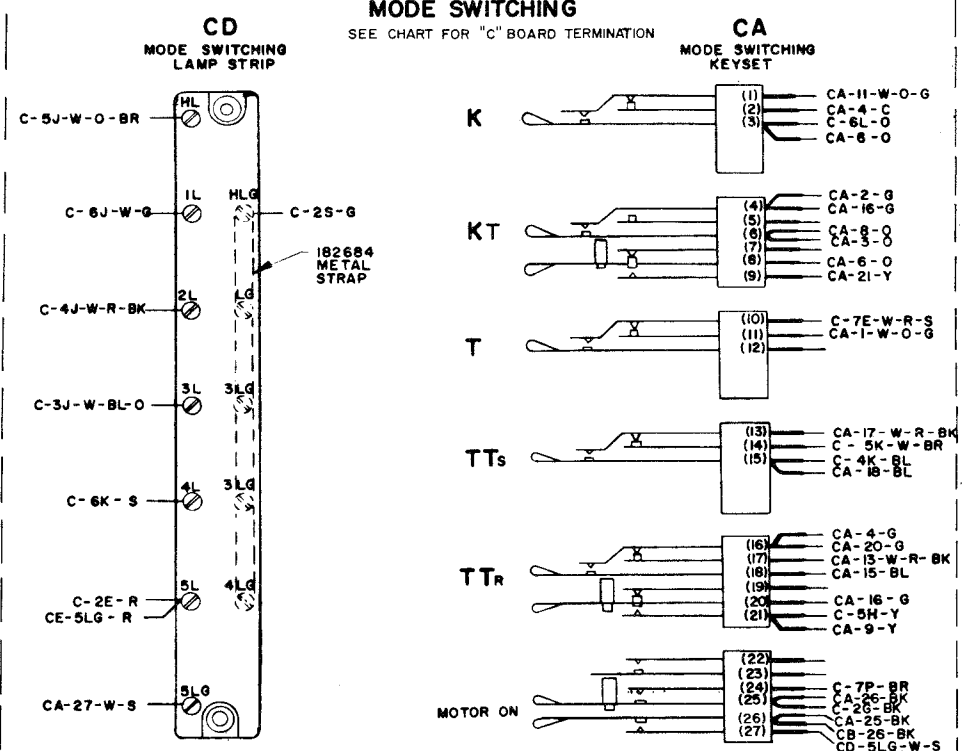
A
ANSWER BACK CONNECTOR
SEE CHART



TC
TRAFFIC CONTROL CONNECTOR



MODE SWITCHING
SEE CHART FOR "C" BOARD TERMINATION



5822WD

REVISIONS		
ISSUE	DATE	AUTH. NO.
2	8-1-62	7602
3	8-17-62	74274
4	8-17-62	74275
5	9-1-62	74499
6	10-12-62	74772
7	11-12-62	75085
8	12-13-62	75364
9	3-10-64	81104
10	3-31-65	86326
11	9-8-66	91872

NOTE:
REVISION INFORMATION MUST ALSO BE REFLECTED ON THE ISSUE CONTROL RECORD, WHICH IS A PART OF THIS DRAWING.

SEE ISSUE CONTROL RECORD FOR COMPLETE LIST OF SHEETS COMPRISING THIS W.D.

SHEET 2

ACTUAL WIRING DIAGRAM OF ELECTRICAL SERVICE UNIT LESU 301 FOR MODEL 35 ASR

APPROVALS	
D AND R	E OF M
E-NUMBER	
PROD. NO. 5822WD	
DATE 4-11-64	
P.D. FILE NO. 1-159.151AA	
DRAWN R.W.D.	CHKD.
ENGD. W.E.C.	APPD.

TELETYPE CORPORATION

5822WD

REFER TO NOTES
ON PAGE 1

NOTE:
REVISION INFORMATION MUST
ALSO BE REFLECTED ON THE
ISSUE CONTROL RECORD, WHICH
IS A PART OF THIS DRAWING.

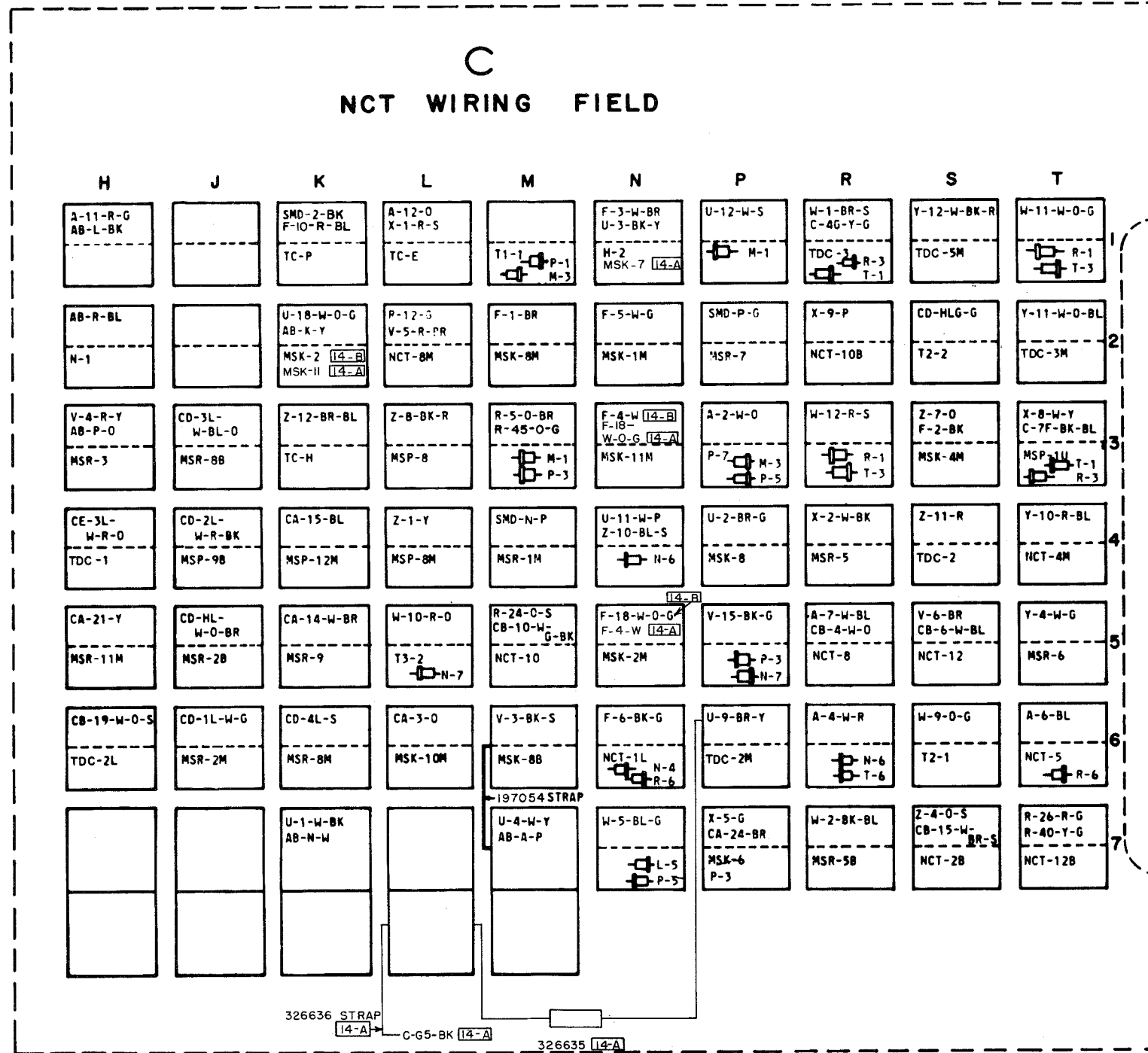
5822WD

REVISIONS

ISSUE	DATE	AUTH. NO.
8	12-13-62	75364
9	3-31-65	86296
10	3-31-65	86326
11	3-30-67	93019

SEE NOTE 10
PAGE 1

C
NCT WIRING FIELD



SEE ISSUE CONTROL RECORD FOR
COMPLETE LIST OF SHEETS
COMPRISING THIS W.D.

SHEET 3

ACTUAL
WIRING DIAGRAM OF ELECTRICAL
SERVICE UNIT LESU 301 FOR
MODEL 35 ASR

APPROVALS

D AND R *HAK* E OF M *[Signature]*

E-NUMBER

PROD. NO. 5822 WD

DATE 2-11-64

P.D. FILE NO. G-A151AA

DRAWN R.W.D. CHKD.

ENGD. G.E.W. APPD.

TELETYPE
CORPORATION

5822WD

REFER TO NOTES
ON PAGE 1

NOTE:
REVISION INFORMATION MUST
ALSO BE REFLECTED ON THE
ISSUE CONTROL RECORD, WHICH
IS A PART OF THIS DRAWING.

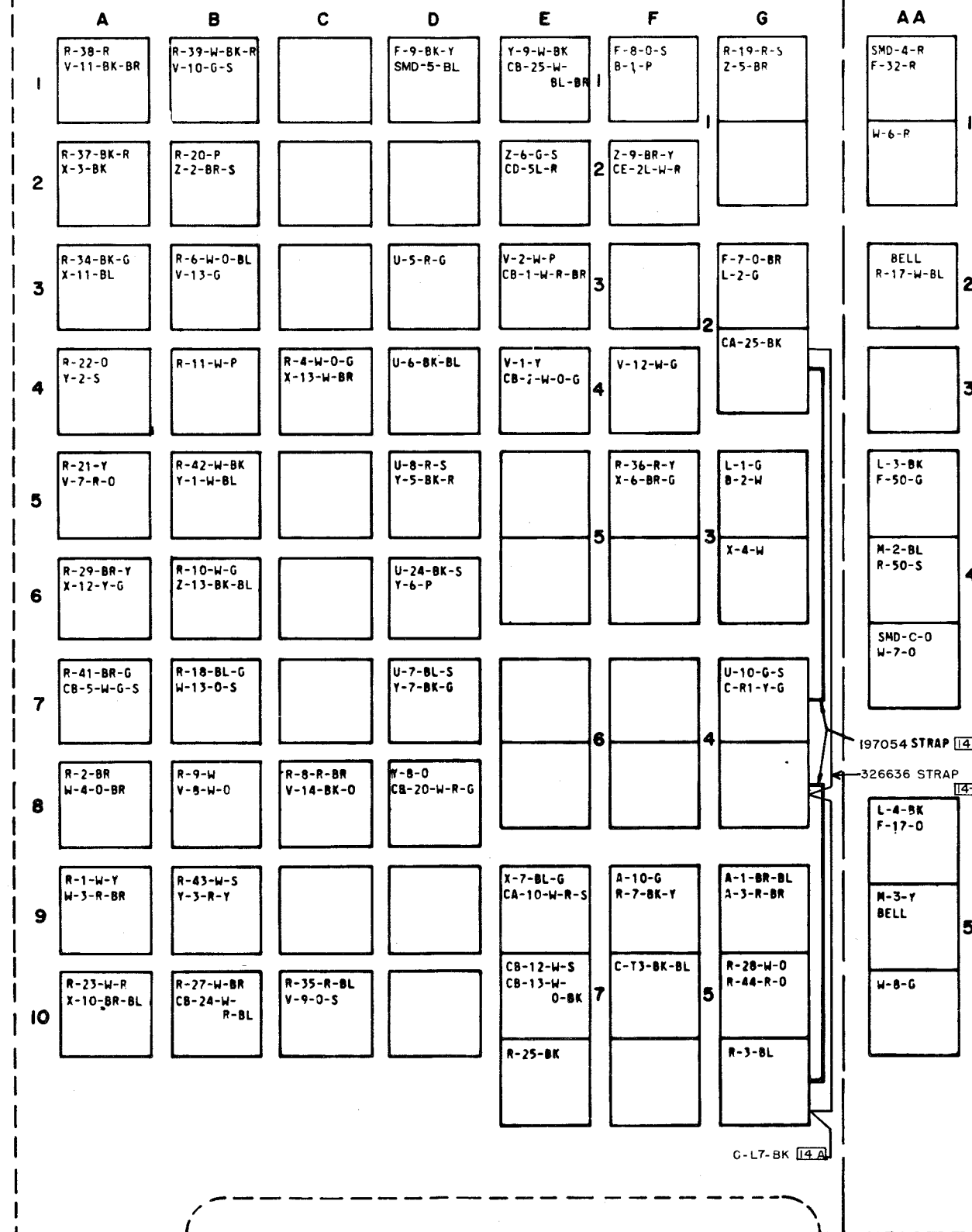
5822 WD

REVISIONS

ISSUE	DATE	AUTH. NO.
8	12-13-63	75364
9	3-31-65	86296
10	3-31-65	86326
11	3-30-67	93019

SEE NOTE 10
PAGE 1

C
MAIN WIRING FIELD



SEE ISSUE CONTROL RECORD FOR
COMPLETE LIST OF SHEETS
COMPRISING THIS W.D.

SHEET 4

ACTUAL
WIRING DIAGRAM
OF ELECTRICAL
SERVICE UNIT
LESU 301
FOR
MODEL 35 ASR

APPROVALS

D AND R *HRK* E OF M *C*

E-NUMBER

PROD. NO. 5822 WD

DATE 2-11-64

R.D. FILE NO. G-A151AA

DRAWN J.N.C. CHKD.

ENGD. G.E.W. APPD.

TELETYPE
CORPORATION

5822 WD

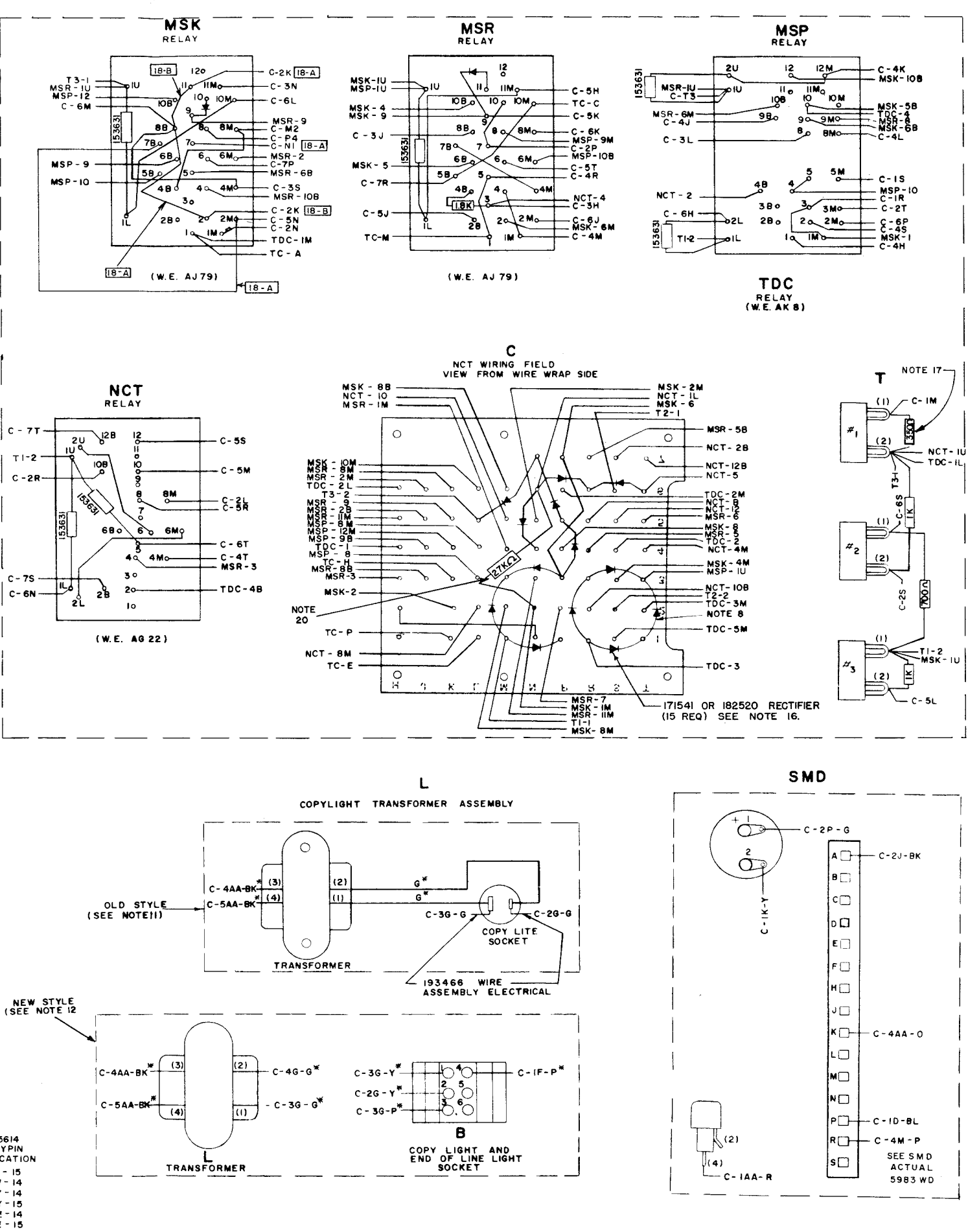
REVISIONS		
ISSUE	DATE	AUTH. NO.
2	8-1-62	76 02
3	8-17-62	74274
4	8-17-62	74275
5	9-1-62	74499
6	10-12-62	74772
7	11-12-62	75085
8	12-13-62	75364
9	1-21-63	75588
10	4-3-63	76412
11	3-1-63	75461
12	3-11-63	75740
13	4-3-63	76412
14	9-11-63	77581
15	12-10-63	79160
16	1-15-64	79804
17	3-10-64	81104
18	6-11-64	82025
19	7-10-64	82423
20	11-16-64	84334
21	3-31-65	86326
22	5-10-65	87574
23	8-18-65	87498
24	9-2-65	88068
25	4-6-66	90550
26	3-30-67	93019
27	8-21-67	94324-B

1. WIRING LEGEND:
 DISTANT TERMINATING AREA
 DISTANT TERMINATING DESIGNATION
 W-P 00-A SEE NOTE 19
 WIRE COLOR CODE
2. COLOR CODE:
 W-WHITE BK-BLACK
 O-ORANGE BL-BLUE
 Y-YELLOW BR-BROWN
 P-PURPLE G-GREEN
 S-SLATE R-RED
3. UNIT WIRED FOR 115 VOLTS 60 CYCLES INPUT ONLY.
4. RECEPTACLES VIEWED FROM WIRING SIDE.
5. * ASTERISK FOLLOWING WIRE COLOR INDICATES 18 GAGE WIRE.
6. ASSOCIATED CABLES:
 193468 MAIN CABLE ASSEMBLY
 193469 CALL CONTROL CABLE ASSEMBLY
 193436 MODE SWITCHING CABLE ASSEMBLY
7. CONNECT EITHER LEAD OF BELL TO C-2AA AND THE REMAINING LEAD TO C-5AA AS INDICATED WHEN THE LESU IS INSTALLED.
8. ASSOCIATED WIRING DIAGRAMS & DRAWINGS:
 (ALSO SEE 6000WD A1) 5983WD(SMD ACTUAL)
 182630 (SMD CIRCUIT CARD) 4727WD (TRANSMITTER ACTUAL)
9. ALL COMPONENT LEADS EXCEPT THE 182520 SILICON RECTIFIERS ARE COVERED BY 60339RM VINYL GLASS TUBING.
10. UNITS USING VARIABLE CURRENT SELECTORS MAGNET DRIVER WITH 193440 CIRCUIT CARD ARE WIRED PER SHEETS 1 THRU 4
 UNITS USING CONSTANT CURRENT SELECTOR MAGNET DRIVER WITH 182630 CIRCUIT CARD ARE WIRED PER SHEETS 5 THRU 8
11. SHOWS WIRING WHEN END OF LINE LIGHT IS ON PANEL ADJACENT TO KEYBOARD.
12. SHOWS WIRING WHEN END OF LINE LIGHT IS ON UPPER COVER AT TOP OF LINE GUIDE SHAFT.
13. FOR "C" - NCT WIRING FIELD - SEE SHEET 7.
14. FOR "C" - MAIN WIRING FIELD - SEE SHEET 8.
15. WIRING FOR LESU 326 IS PER 5822WD, SHEETS 5,6,7, AND 8, AND 7130WD.
16. THIS SCHEMATIC SYMBOL DESIGNATES EITHER OF THE INTERCHANGEABLE PARTS BELOW:

 171541
 182520
 CATHODE END
17. RESISTOR CHANGED FROM 500 TO 350Ω TO MAINTAIN CIRCUIT CURRENT REQUIREMENT AT LOW (POWER LINE) INPUT VOLTAGE.
18. WIRING WAS CHANGED TO PROVIDE PROPER MSK RELAY CONTACT OPERATION SEQUENCE WITH 323609 SIGNAL REGENERATOR CIRCUIT CARD. 326635 SPARK SUPPRESSION NETWORK WAS ADDED AND 198259 STRAP WAS CHANGED TO 326636
- NOTES CONTINUED ON PAGE 7

LEADS CONNECTED TO WIRING FIELDS		
TERMINAL DESIG.	TERMINATING POINT ON CONN.	COLOR
F-CONNECTOR		
C-3S	F2	BK
C-2M	F1	BR
C-1N	F3	W-BR
C-3N	F4	W
C-2N	F5	W-G
C-6N	F6	BK-G
C-2G	F7	O-BR
C-1F	F8	O-S
C-1D	F9	BK-W
C-2J	F10	R-BL
C-5AA	F17	O*
C-1AA	F32	R*
C-4AA	F50	G*
C-5N	F18	W-O-G
C-1C	F22	W-BK-P
C-3C	F28	W-BK-O
C-5N	F4	W
C-3N	F18	W-O-G
R-CONNECTOR		
C-9A	R1	W-Y
C-8A	R2	BR
C-5G	R3	BL
C-4C	R4	W-O-G
C-3M	R5	O-BR
C-3B	R6	W-O-BL
C-7F	R7	BK-Y
C-8C	R8	R-BR
C-8B	R9	W
C-6B	R10	W-G
C-4B	R11	W-P
C-2L	R12	G
C-2AA	R17	W-BL
C-7B	R18	BL-G
C-1G	R19	R-S
C-2B	R20	P
C-5A	R21	Y
C-4A	R22	O
C-10A	R23	W-R
C-5M	R24	O-S
C-7E	R25	BK
C-7T	R26	R-G
C-10B	R27	W-BR
C-5G	R28	W-O
C-8A	R29	BR-Y
C-5A	R34	BK-G
C-10C	R35	R-BL
C-5F	R36	R-Y
C-2A	R37	BK-R
C-1A	R38	R
C-1B	R39	W-BK-R
C-7T	R40	Y-G
C-7A	R41	BR-G
C-5B	R42	W-BK
C-9B	R43	W-S
C-5G	R44	R-O
C-3M	R45	O-G
C-4AA	R50	S
U-CONNECTOR		
C-4P	U2	BR-G
C-7K	U1	W-BK
C-1N	U3	BK-Y
C-7M	U4	W-Y
C-3D	U5	R-G
C-4D	U6	BK-BL
C-7D	U7	BL-S
C-5D	U8	R-S
C-6P	U9	BR-Y
C-4G	U10	G-S
C-4N	U11	W-P
C-1P	U12	W-S
C-6D	U24	BK-S
C-2K	U18	W-O-G
A-CONNECTOR		
C-5G	A1	BR-BL
C-3P	A2	W-O
C-5G	A3	R-BR
C-6R	A4	W-R
C-6T	A6	BL
C-5R	A7	W-BL
C-7F	A10	G
C-1H	A11	R-G
C-1L	A12	O
X-CONNECTOR (6)		
C-1L	X1	R-S
C-4R	X2	W-BK
C-2A	X3	BK
C-3G	X4	W
C-7P	X5	G
C-5F	X6	BR-G
C-7E	X7	BL-G
C-3T	X8	W-Y
C-2R	X9	P
C-10A	X10	BR-BL
C-3A	X11	BL
C-6A	X12	Y-G
C-4C	X13	W-BR

W-CONNECTOR (7)		
TERMINAL DESIG.	TERMINATING POINT ON CONN.	COLOR
C-1R	W1	BR-S
C-7R	W2	BK-BL
C-9A	W3	R-BR
C-8A	W4	O-BR
C-7N	W5	BL-G
C-1AA	W6	R
C-4AA	W7	O
C-5AA	W8	G
C-6S	W9	O-G
C-5L	W10	R-O
C-1T	W11	W-O-G
C-3R	W12	R-S
C-7B	W13	O-S
V-CONNECTOR (8)		
C-4E	V1	Y
C-3E	V2	W-P
C-6M	V3	BK-S
C-3M	V4	R-Y
C-2L	V5	R-BR
C-5S	V6	BR
C-5A	V7	R-O
C-8B	V8	W-O
C-10C	V9	O-S
C-1B	V10	G-S
C-1A	V11	BK-BR
C-4F	V12	W-G
C-3B	V13	G
C-8C	V14	BK-O
C-5P	V15	BK-G
Z-CONNECTOR (3)		
C-2B	Z2	BR-S
C-7S	Z4	O-S
C-1G	Z5	BR
C-2E	Z6	G-S
C-3S	Z7	O
C-3L	Z8	BK-R
C-2F	Z9	BR-Y
C-4N	Z10	BL-S
C-4S	Z11	R
C-3K	Z12	BR-BL
C-4L	Z1	Y
C-6B	Z13	BK-BL
Y-CONNECTOR (4)		
C-5B	Y1	W-BL
C-4A	Y2	S
C-9B	Y3	R-Y
C-5T	Y4	W-G
C-5D	Y5	BK-R
C-6D	Y6	P
C-7D	Y7	BK-G
C-8D	Y8	O
C-1E	Y9	W-BK
C-4T	Y10	R-BL
C-2T	Y11	W-O-BL
C-1S	Y12	W-BK-R
CD LAMP STRIP		
C-5J	CD-HL	W-O-BR
C-6J	CD-1L	W-G
C-4J	CD-2L	W-R-BK
C-3J	CD-3L	W-BL-O
C-6K	CD-4L	S
C-2E	CD-5L	R
C-2S	CD-HLG	G
CE LAMP STRIP		
C-2F	CE-2L	W-R
C-4H	CE-3L	W-R-O
CA MODE SWITCHING		
C-6L	CA-3	O
C-7E	CA-10	W-R-S
C-5K	CA-14	W-BR
C-4K	CA-15	BL
C-5H	CA-21	Y
C-7P	CA-24	BR
C-2G	CA-25	BK
X-CONNECTOR (6)		
C-3E	CB-1	W-R-BR
C-4E	CB-2	W-O-G
C-5R	CB-4	W-O
C-7A	CB-5	W-G-S
C-5S	CB-6	W-BL
C-5M	CB-10	W-G-BK
C-7E	CB-12	W-S
C-7E	CB-13	W-O-BK
C-7S	CB-15	W-BR-S
C-6H	CB-19	W-O-S
C-8D	CB-20	W-R-G
C-10B	CB-24	W-R-BL
C-1E	CB-25	W-BL-R



NOTE: REVISION INFORMATION MUST ALSO BE REFLECTED ON THE ISSUE CONTROL RECORD, WHICH IS A PART OF THIS DRAWING.

SEE ISSUE CONTROL RECORD FOR COMPLETE LIST OF SHEETS COMPRISING THIS W.D. SHEET 5

ACTUAL WIRING DIAGRAM OF ELECTRICAL SERVICE UNIT LESU 301,-326 FOR MODEL 35 ASR

APPROVALS

D AND R	E OF M
---------	--------

E-NUMBER
 PROD. NO. 5822WD

DATE 2-11-64

R.D. FILE NO. G-A151AA

DRAWN R.W.D. CHKD.

ENGD. G.E.W. APPD.

TELETYPE CORPORATION

5822WD

5822 WD

REVISIONS		
ISSUE	DATE	AUTH. NO.
2	8-1-62	-----
3	8-17-62	74274
4	8-17-62	74275
5	9-1-62	74499
6	10-12-62	74772
7	11-12-62	75085
8	12-13-62	75364
9	1-21-63	75588
10	4-3-63	76412
11	3-1-63	75461
12	3-11-63	75740
13	4-3-63	76412
14	9-1-63	77581
15	12-10-63	79160
16	1-15-64	79804
17	3-10-64	81104
18	6-11-64	82025
19	7-10-64	82423
20	11-16-64	84334
21	3-31-65	86326
22	6-10-65	87574
23	6-30-65	88057
24	5-4-67	92284

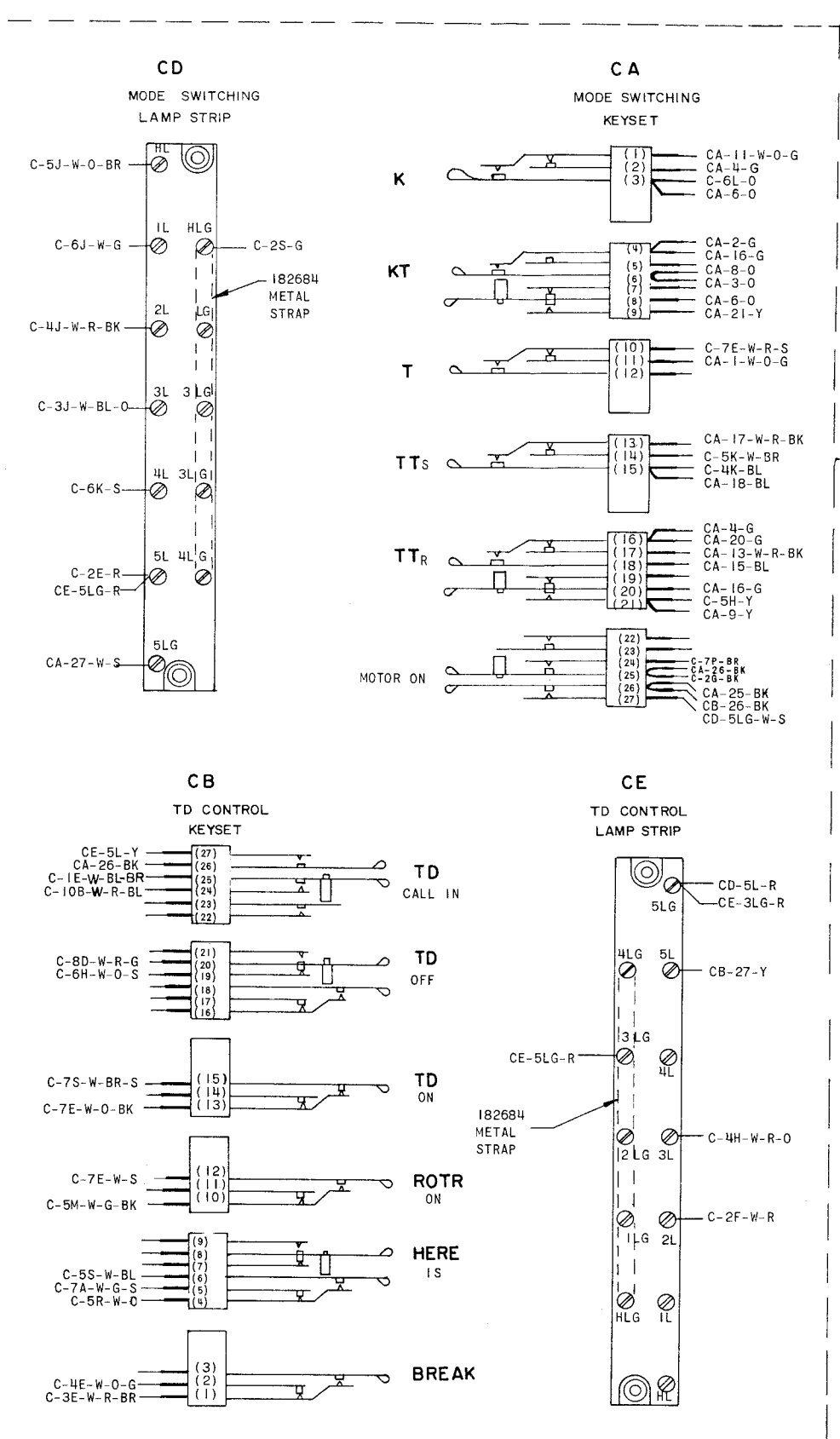
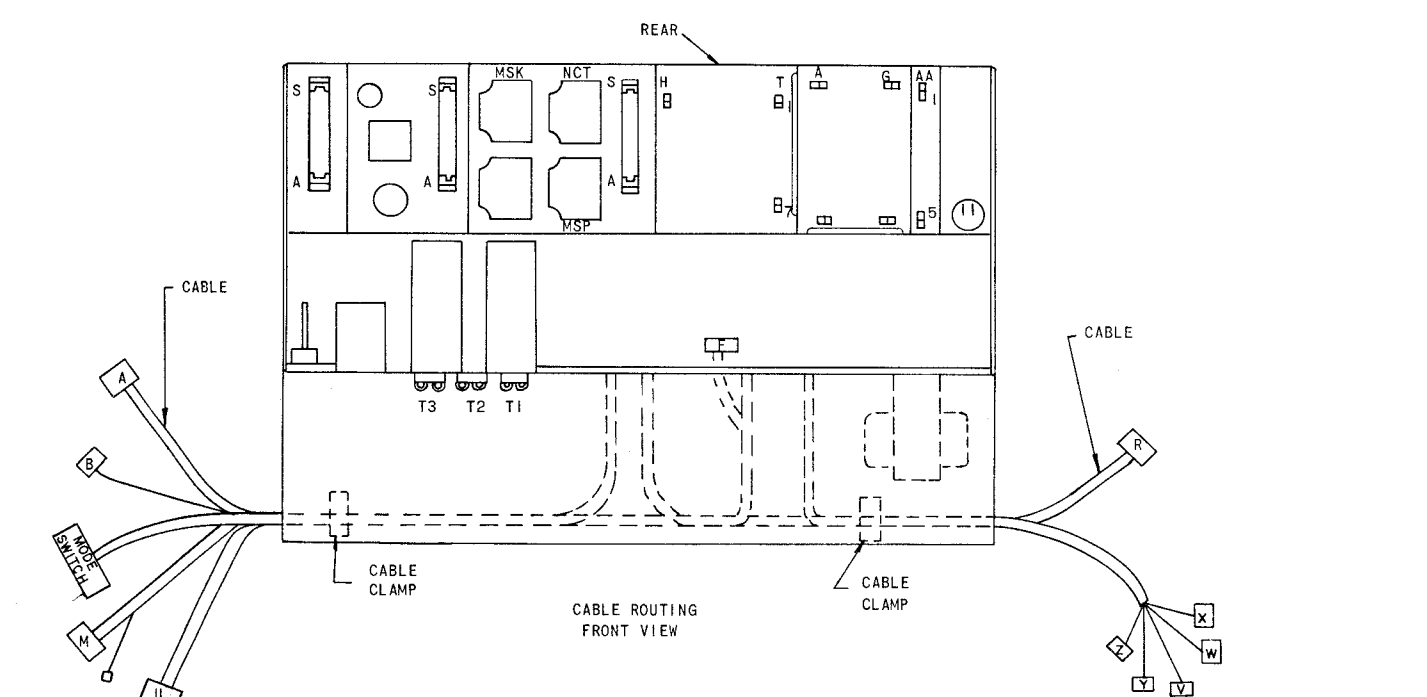
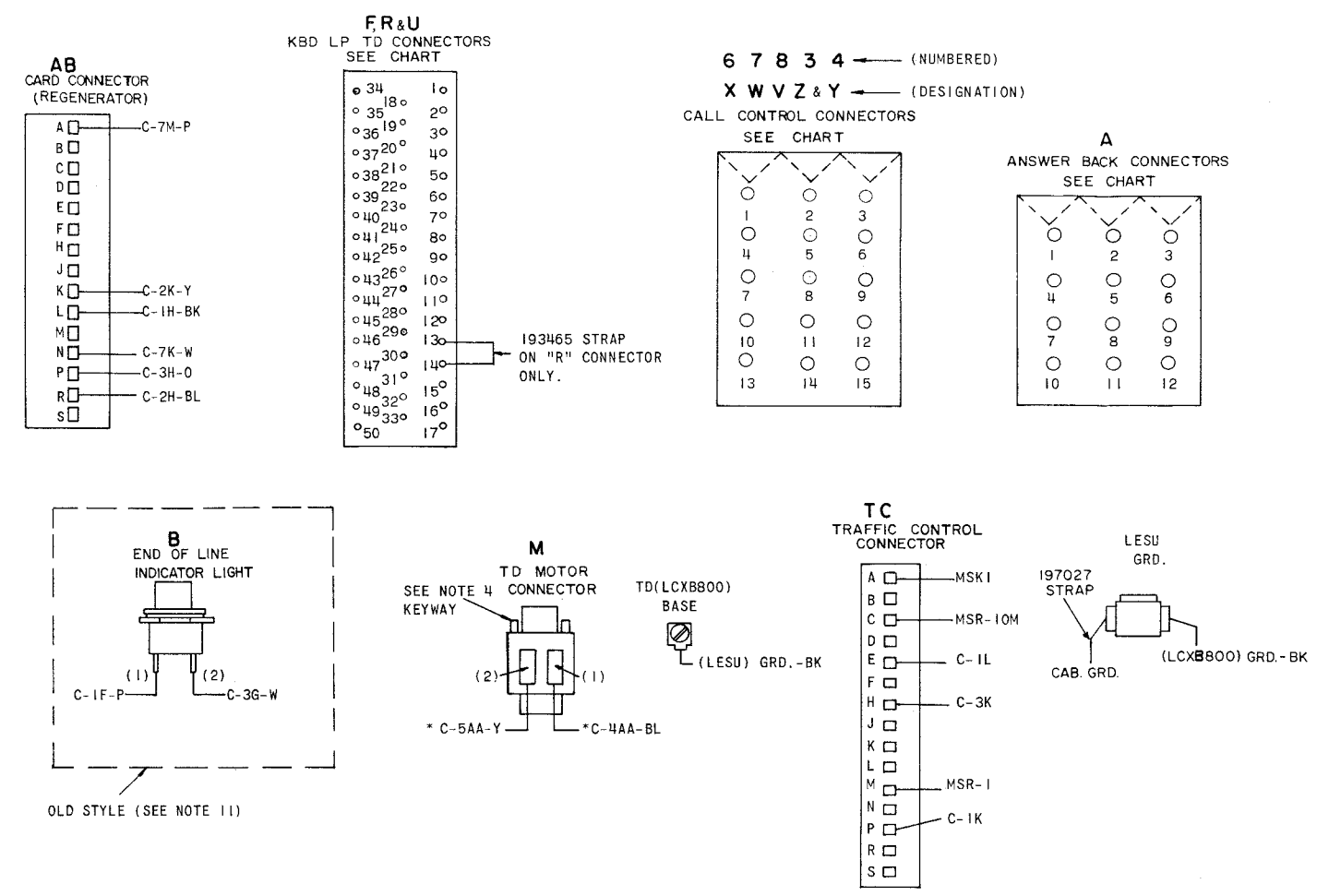
NOTE:
REVISION INFORMATION MUST ALSO BE REFLECTED ON THE ISSUE CONTROL RECORD, WHICH IS A PART OF THIS DRAWING.

SEE ISSUE CONTROL RECORD FOR COMPLETE LIST OF SHEETS COMPRISING THIS W.D.

SHEET 6
ACTUAL WIRING DIAGRAM FOR ELECTRICAL SERVICE UNIT LESU301,-326 FOR MODEL 35 ASR

APPROVALS	
D AND R <i>AK</i>	E OF M <i>[Signature]</i>
E-NUMBER	
PROD. NO. 5822WD	
DATE 2/11/64	
P.D. FILE NO. G-A151AA	
DRAWN R.W.D.	CHKD. <i>[Signature]</i>
ENGD. G.E.W.	APPD. <i>[Signature]</i>

TELETYPE CORPORATION
5822 WD



NOTES CONTINUED FROM PAGE 5

19 WIRING STATUS:
 RECTANGULAR BOX INDICATES HISTORY OF WIRING CHANGES

[00-B] B - DENOTES WIRING BEFORE THE CHANGE DESCRIBED BY THE DESIGNATED NOTE ENTERED THE PRODUCT.

[00-A] A - DENOTES WIRING AFTER THE CHANGE DESCRIBED BY THE DESIGNATED NOTE ENTERED THE PRODUCT.

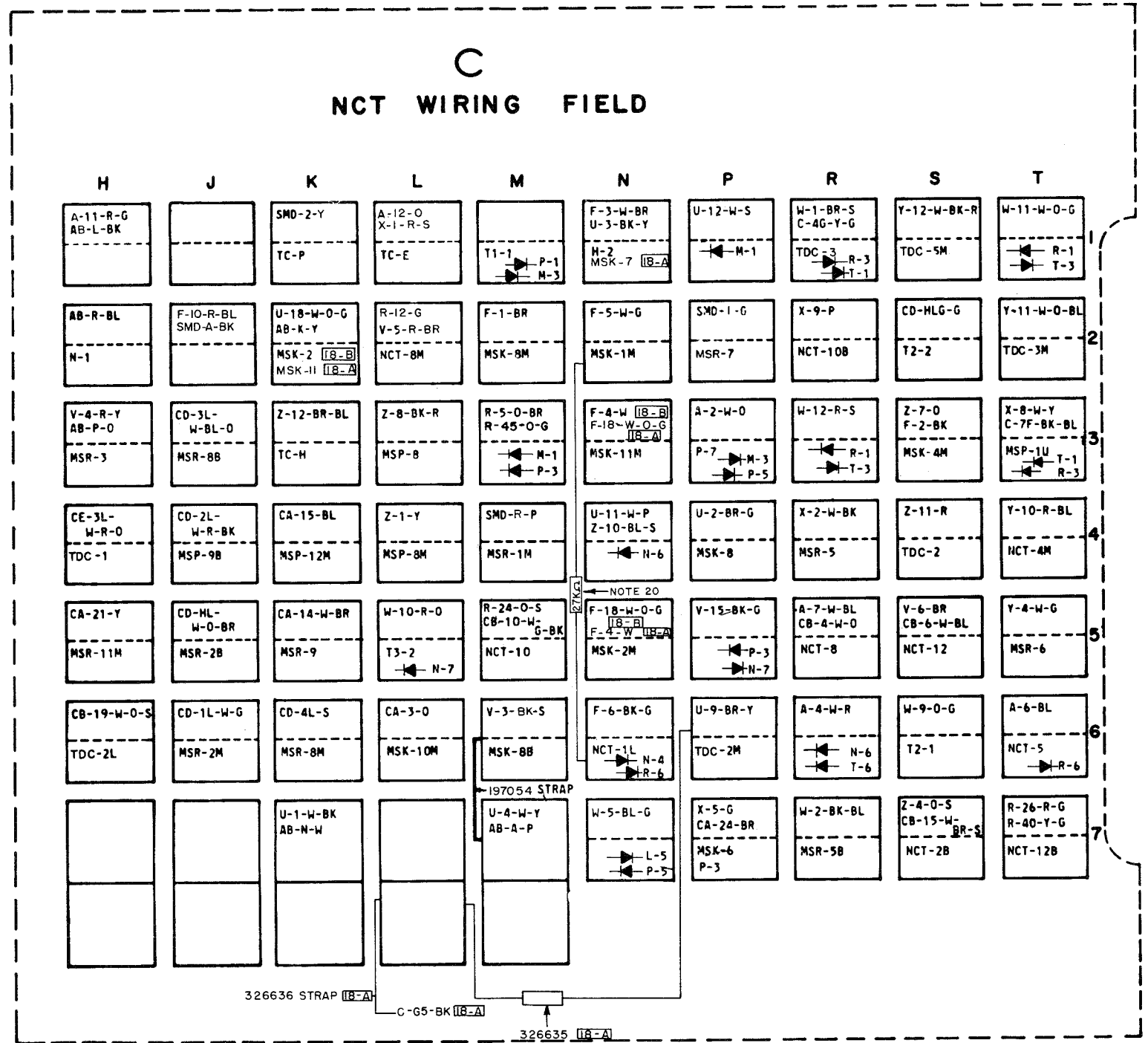
NOTE NUMBER

20 27KΩ RESISTOR IS NOT PRESENT ON SOME SETS.

NOTE:
 REVISION INFORMATION MUST ALSO BE REFLECTED ON THE ISSUE CONTROL RECORD, WHICH IS A PART OF THIS DRAWING.

5822 WD

REVISIONS		
ISSUE	DATE	AUTH. NO.
7	3-5-64	79702
8	3-10-64	81104
9	6-11-64	82025
10	7-10-64	82423
11	11-16-64	84334
12	3-31-65	86326
13	5-10-65	86326-1
14	6-10-65	87574
15	9-2-65	88068
16	3-30-67	93019
17	8-21-67	94324-B



SEE ISSUE CONTROL RECORD FOR COMPLETE LIST OF SHEETS COMPRISING THIS W.D. SHEET 7

ACTUAL WIRING DIAGRAM OF ELECTRICAL SERVICE UNIT LESU 301-326 FOR MODEL 35 ASR

APPROVALS	
D AND R <i>[Signature]</i>	E OF M <i>[Signature]</i>
E-NUMBER	
PROD. NO. 5822 WD	
DATE 2-11-64	
P.D. FILE NO. G-A151AA	
DRAWN R.W.D.	CHKD.
ENGD. G.E.W.	APPD.

TELETYPE CORPORATION

5822 WD

29

REFER TO NOTES
ON PAGE 5

SEE NOTES 11 AND 12, PAGE 5

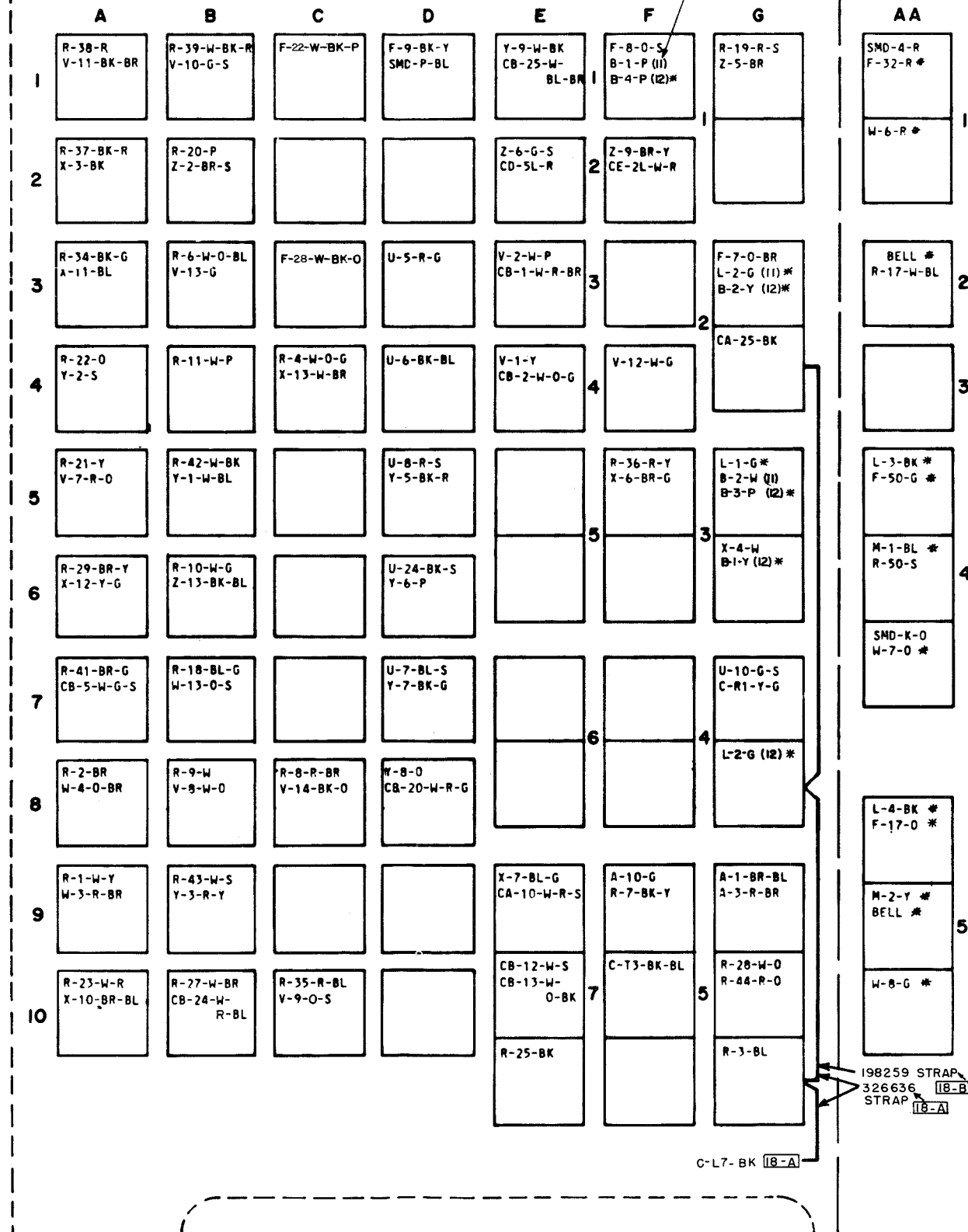
NOTE:
REVISION INFORMATION MUST
ALSO BE REFLECTED ON THE
ISSUE CONTROL RECORD, WHICH
IS A PART OF THIS DRAWING.

5822 WD

REVISIONS

ISSUE	DATE	AUTH. NO.
7	3-5-64	79702
8	3-10-64	81104
9	6-11-64	82025
10	7-10-64	82423
11	11-16-64	84334
12	3-31-65	86326
13	6-10-65	87574
14	6-30-65	88057
15	3-30-67	93019

C
MAIN WIRING FIELD



SEE ISSUE CONTROL RECORD FOR
COMPLETE LIST OF SHEETS
COMPRISING THIS W.D.

SHEET 8

ACTUAL
WIRING DIAGRAM
OF
ELECTRICAL SERVICE
UNIT LESU 301-326 FOR
MODEL 35 ASR

APPROVALS

D AND R *AGK* E OF M *[Signature]*

E-NUMBER

PROD. NO. 5822 WD

DATE 2-11-64

P.D. FILE NO. G-A151AA

DRAWN R.W.D. CHKD.

ENGD. G.E.W. APPD.

**TELETYPE
CORPORATION**

5822 WD