

NOTES

1 REFER TO 5733 WD FOR ACTUAL WIRING DIAGRAM.

2 ALL VOLTAGES DC UNLESS OTHERWISE SPECIFIED.

3 () INDICATES TERMINAL DESIGNATIONS FOR REFERENCE ONLY.

4 ALL RESISTORS 1/2 WATT AND RESISTANCE VALUES IN OHMS, UNLESS OTHERWISE SPECIFIED.

5 ALL CAPACITANCE VALUES IN MICROFARADS, UNLESS OTHERWISE SPECIFIED.

6 SPARE CIRCUITS AVAILABLE:

7 1-5 INPUT "AND" GATE Z2730, EC501-1/3

8 1-3 INPUT "AND" GATE Z2727, EC503-1/4

9 2-2 INPUT "AND" GATE Z2727, EC503-2/4

10 1-3 INPUT "OR" GATE Z2730, EC501-1/3

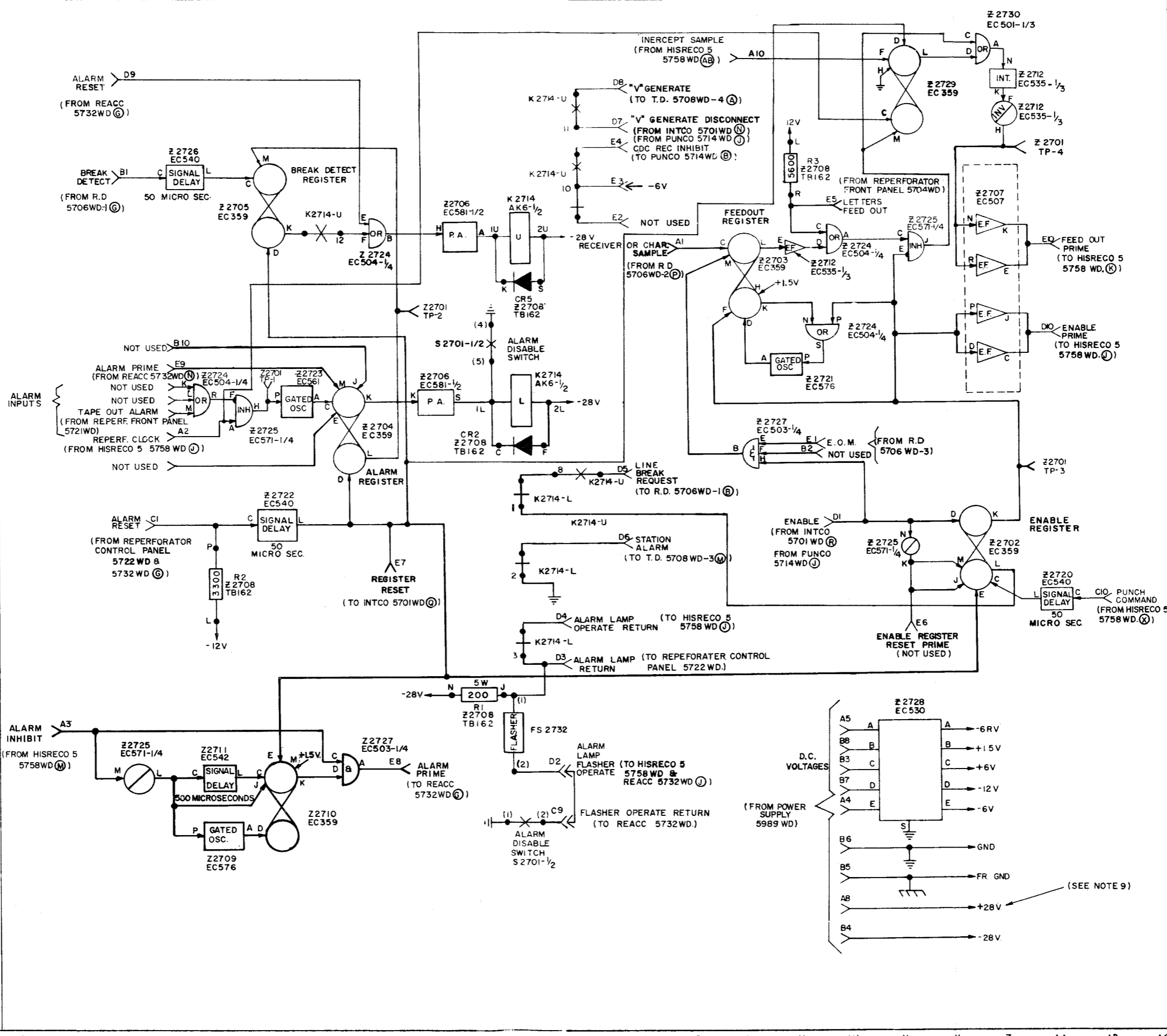
11 REFER TO SPECIFICATION FOR ADJUSTMENT OF VARIABLE TIMING CIRCUITS.

12 ——— INDICATES TERMINAL ON RECEPTACLE J 2701 UNLESS OTHERWISE SPECIFIED.

13 **THE +28 VOLT LINE IS EXTERNALLY CONNECTED TO GROUND**

14 SIGNALS GOING FROM ONE WD TO ANOTHER WHICH ARE CONNECTED TOGETHER HAVE THE SAME TITLE ON EACH WD.

RITY ELECTRONICS
 TELETYPE=Sales-Service-Parts
 PO Box 20101 El Sobrante, Ca.
 94820. (510)222-3102
 mr_rtty@pacbell.net



5732 WD		
REVISIONS		
ISSUE	DATE	AUTH. NO.
A 2	1-24-64	79835
3	7-6-64	82102
4	8-31-64	82490
5	8-2-65	88157
6	12-14-65	89443
7	4-18-66	90307

SCHMATIC WIRING DIAGRAM FOR REPERFORATOR ACCESSORIES MODULE REACC

ASSEMBLY NO. 193240

APPROVALS

D AND R	E OF M
---------	--------

E-NUMBER

PROD. NO. 5732 WD

DATE 7-3-63

P.D. FILE NO. 33-A25AA

DRAWN E. R. CHKD. *ref*

ENG. R. E. P. APPD. *RVR*

TELETYPE CORPORATION

5732 WD