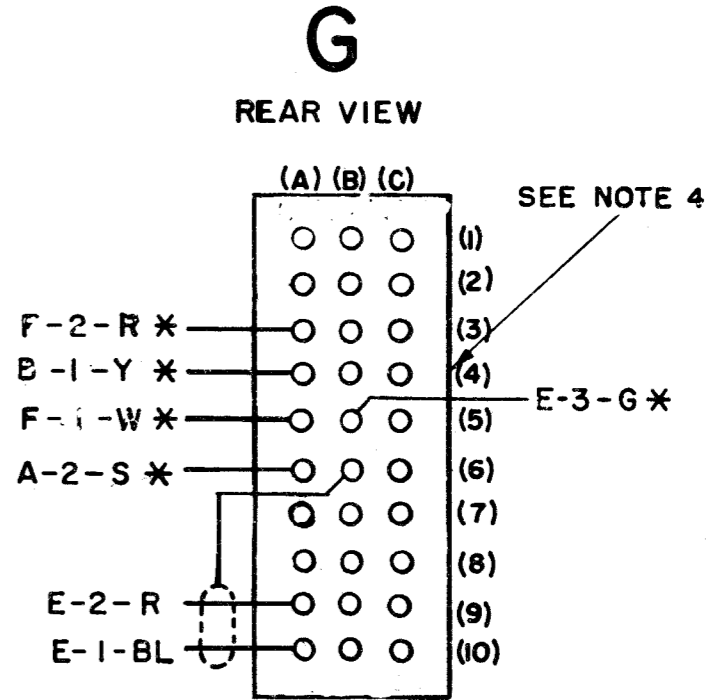
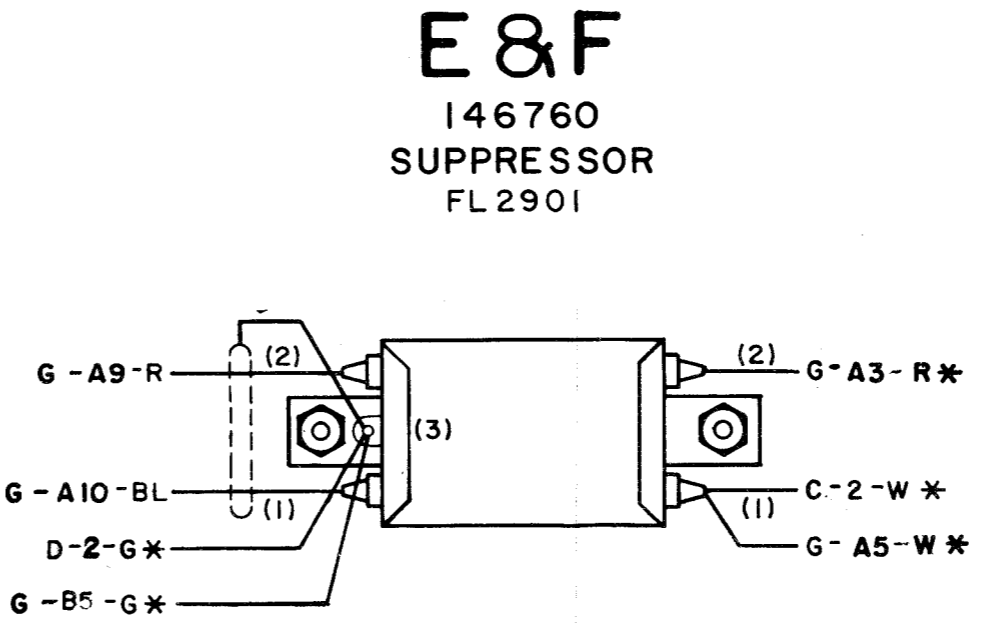
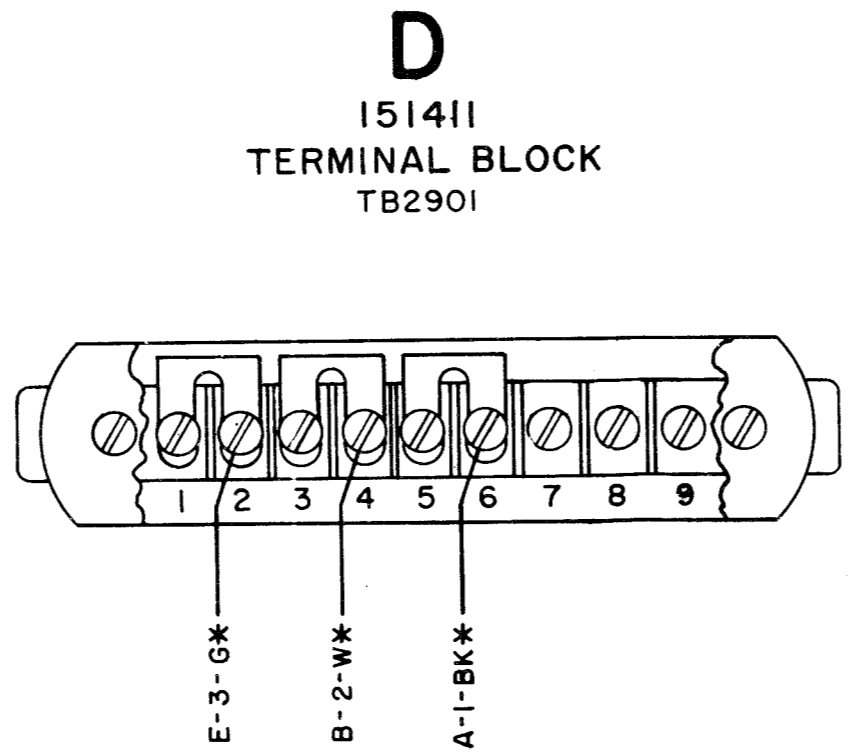
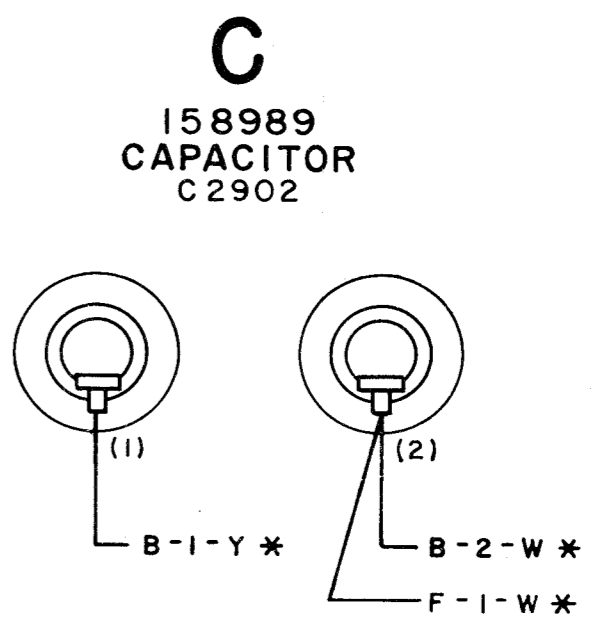
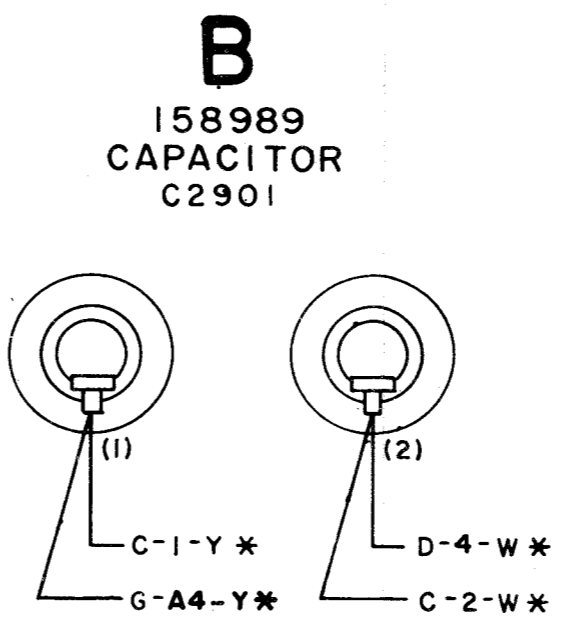
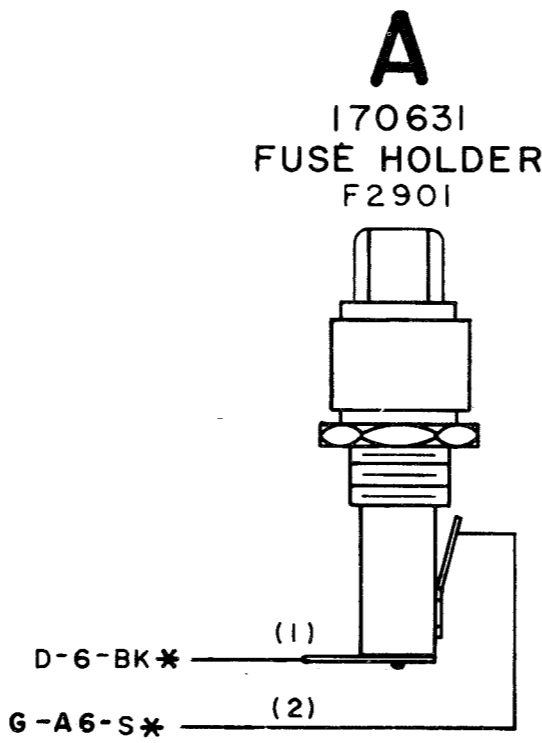


NO.	NOTES
1.	WIRING LEGEND: DISTANT TERMINATING AREA. DISTANT TERMINATING DESIGNATION WIRE COLOR CODE D-2-BK
2.	* INDICATES 18 AWG. WIRE.
3.	TERMINAL DESIGNATIONS ENCLOSED IN PARENTHESES ARE FOR REFERENCE AND NOT MARKED ON COMPONENT.
4.	ASSOCIATED CABLE ASSEMBLY 193166.
5.	WIRE COLOR CODE: BK BLACK G GREEN BR BROWN BL BLUE R RED P PURPLE O ORANGE W WHITE Y YELLOW S SLATE

5725WD		
REVISIONS		
ISSUE	DATE	AUTH. NO.
A	3-2-64	79843



ACTUAL WIRING DIAGRAM FOR ELECTRICAL SERVICE UNIT	
ASSEM. 193165	APPROVALS
DATE: 7-8-63	DR. AND R. E. OF M.
P.D. FILE NO. 33-A25AA	<i>[Signature]</i>
DRAWN N.A.R. CHKD	E-NUMBER
ENGR. R.E.P. APPD. <i>[Signature]</i>	PROD. NO. 5725WD
TELETYPE CORPORATION	DATE: 7-8-63
5725WD	P.D. FILE NO. 33-A25AA
	DRAWN N.A.R. CHKD
	ENGR. R.E.P. APPD. <i>[Signature]</i>

RTTY ELECTRONICS
TELETYPE=Sales-Service-Parts
PO Box 20101 | Sobrante, Ca.
94820. (510)222-3102
mr_rtty@pacbell.net