

5708 WD		
REVISIONS		
ISSUE	DATE	AUTH. NO.
A2	11-29-63	70145
B2	11-30-64	79834
C2	4-7-64	79849
D2	7-10-64	82107
E2	8-11-64	82450
F2	10-14-64	83655
G2	2-12-65	84884
H2	12-22-65	85774
I2	4-1-66	890307

NOTE: REVISION INFORMATION MUST ALSO BE REFLECTED ON THE ISSUE CONTROL RECORD WHICH IS A PART OF THIS DRAWING.

MULTI-CLOCKS (FROM SEA 2 L/H 6912WD) HISREC V 5727WD

NO.	NOTES
1.	REFER TO SHEET 4 OF 4 FOR NOTES.

SEE ISSUE CONTROL RECORD FOR COMPLETE LIST OF SHEETS COMPRISING THIS W.D. SHEET 2 OF 4 SPEC. NO. 604405

SCHEMATIC WIRING DIAGRAM  
TRANSMITTING DISTRIBUTOR AND CONTROLS

ASSEM. NO. 193005

APPROVALS  
D AND R E OF M

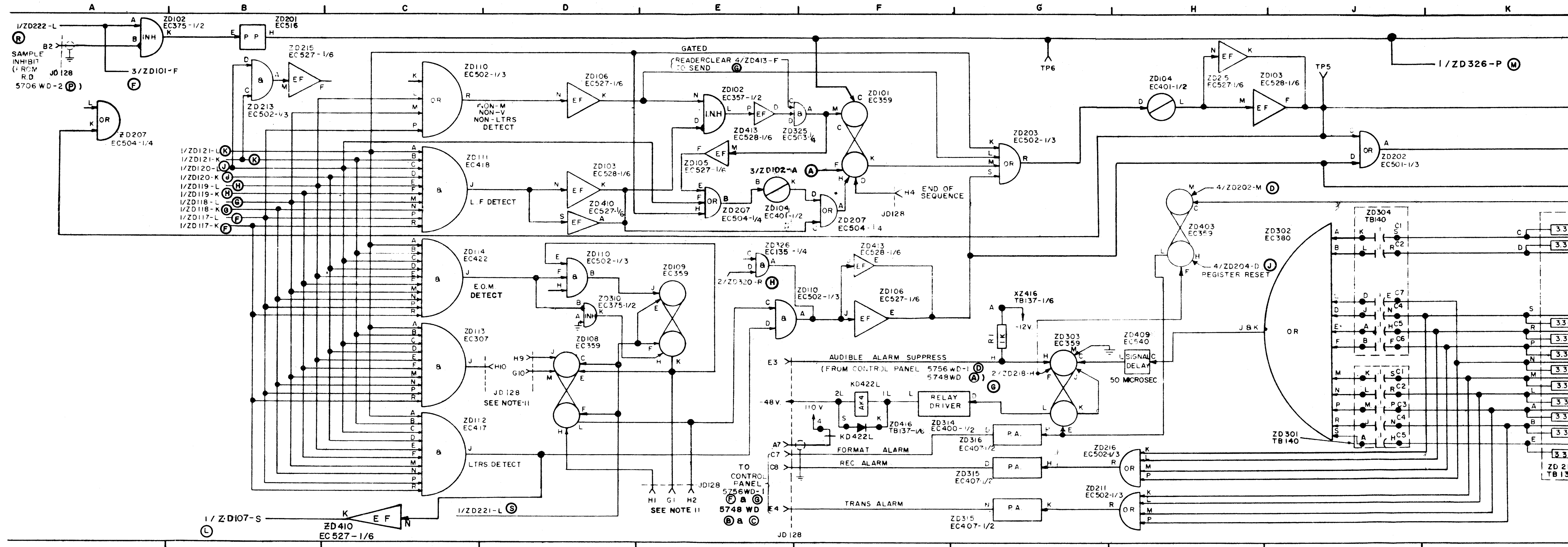
E-NUMBER  
PROD. NO. 5708 WD

DATE 7-11-63  
PD. FILE NO. 33-A25AA  
DRAWN R.G. CHKD.  
ENG. R.C.H. APPD.

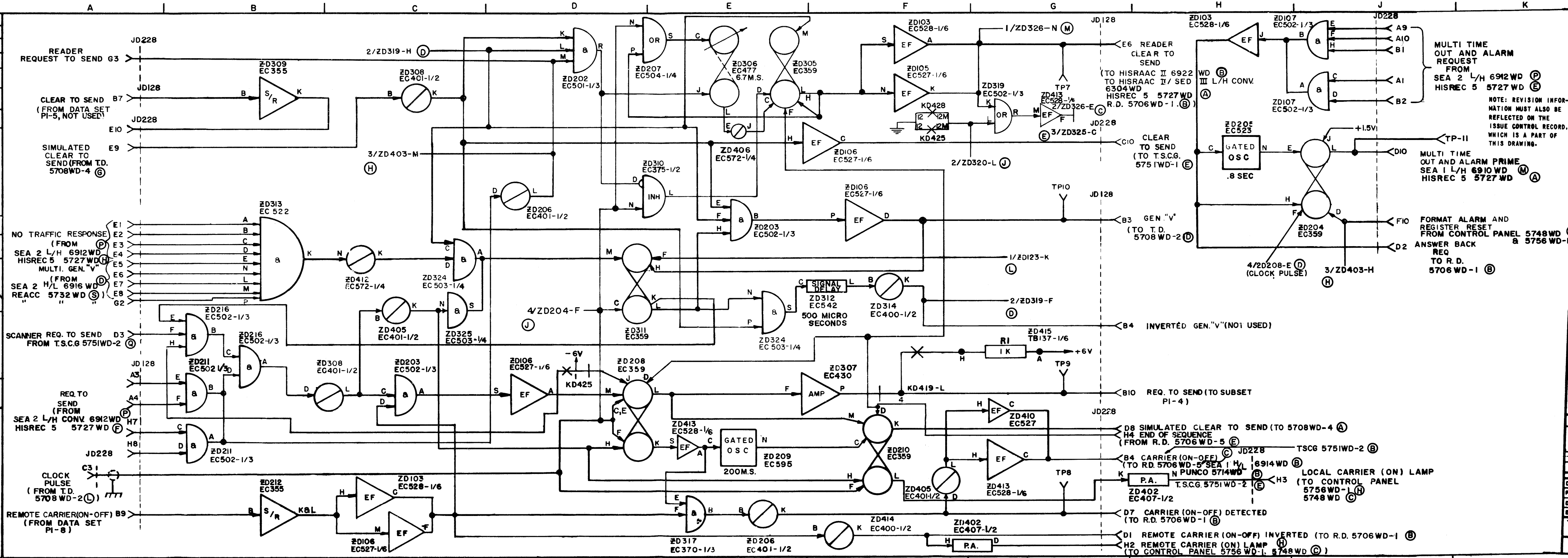
TELETYPE CORPORATION  
5708 WD







**NOTES**  
 TO 5707WD FOR ACTUAL WIRING DIAGRAM.  
 STATES DC UNLESS OTHERWISE SPECIFIED.  
 STATES SHIELDED WIRE.  
 AL DESIGNATION IN PARENTHESES ( ) ARE REFERENCE AND NOT MARKED ON COMPONENT.  
 SISTORS 1/2 WATT AND RESISTANCE IN OHMS, UNLESS OTHERWISE SPECIFIED.  
 CAPACITANCE VALUES IN MICROFARADS, OTHERWISE SPECIFIED.  
 CIRCUITS AVAILABLE:  
 -1-3 INPUT OR GATE - EC501-1/3  
 -1-5 " " - EC502-1/3  
 -1- POWER AMP - EC407-1/2  
 -1-2 INPUT OR GATE - EC370-1/3  
 -1- PNP INVERTER - EC572-1/4  
 -3- NPN EMITTER FOLLOWERS - EC527-3/6  
 TO SPECIFICATION FOR ADJUSTMENT VARIABLE TIMING CIRCUITS.  
 INDICATES TERMINAL ON RECEPTACLE JD228, EXCEPT WHERE OTHERWISE NOTED.  
 LEGEND:  
 SHEET POSITION  
 AREA ON PAGE WHERE DESIRED TERMINATION IS LOCATED  
 DISTANT TERMINATING DESIGNATION  
 DISTANT TERMINATING AREA  
 EOM OR EOT, STRAP  
 EOM EOT  
 D228 JD228  
 TO H10 G10 TO H10  
 TO G1 H1 TO H2  
 GATE ZD 225 IS CONNECTED TO A DIODE IN SERIES WITH THE OUTPUT



**5708 WD**

ISSUE	DATE	AUTH. NO.
1	11-29-63	79452
2	1-30-64	79534
3	4-7-64	79839
4	7-10-64	81079
5	8-31-64	82490
6	10-14-64	83055
7	1-11-65	84872
8	2-12-65	83668
9	2-24-65	86216
10	4-18-66	90307

NOTE: REVISION INFORMATION MUST ALSO BE REFLECTED ON THE ISSUE CONTROL RECORD, WHICH IS A PART OF THIS DRAWING.

MULTI TIME OUT AND ALARM REQUEST FROM SEA 2 L/H 6912WD (P) HISREC 5 5727WD (E)  
 MULTI TIME OUT AND ALARM PRIME SEA 1 L/H 6910WD (M) HISREC 5 5727WD (A)  
 FORMAT ALARM AND REGISTER RESET FROM CONTROL PANEL 5748WD (A) & 5756WD-1 (D)  
 ANSWER BACK REQ TO R.D. 5706WD-1 (B)  
 SEE ISSUE CONTROL RECORD FOR COMPLETE LIST OF SHEETS COMPRISING THIS W.D. SHEET 4 OF 4

**SCHEMATIC WIRING DIAGRAM TRANSMITTING DISTRIBUTOR AND CONTROLS**

ASSEM. NO. 193005

**APPROVALS**

DESIGNED BY: [ ]  
 CHECKED BY: [ ]  
 DRAWN BY: [ ]  
 ENG. R.C.H. APP'D: [ ]

TELETYPE CORPORATION  
**5708 WD**