

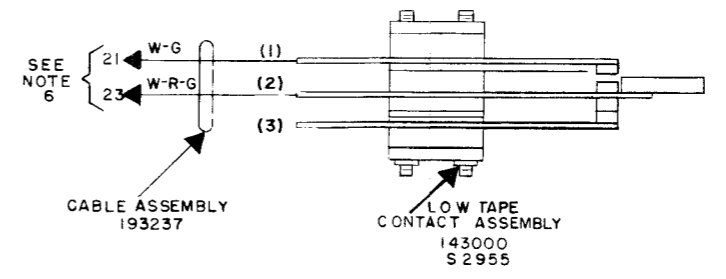
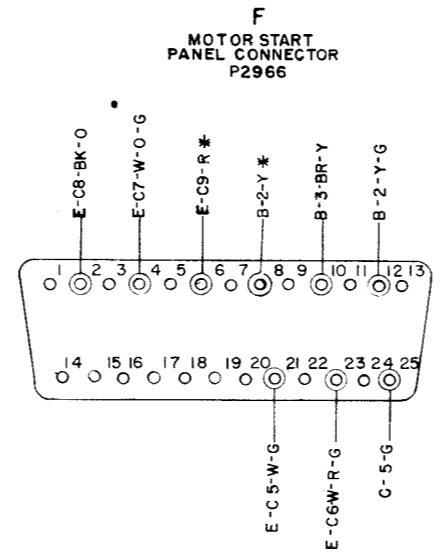
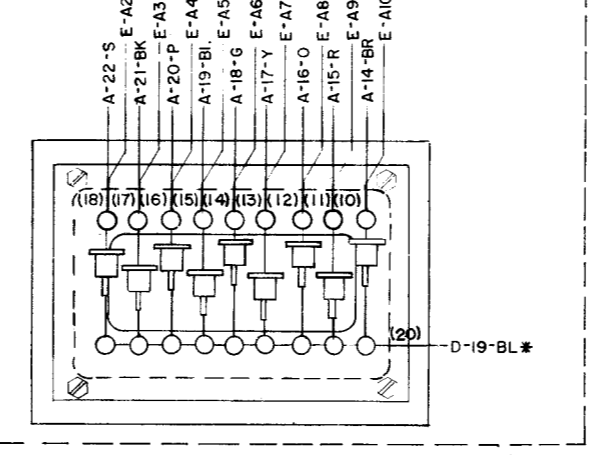
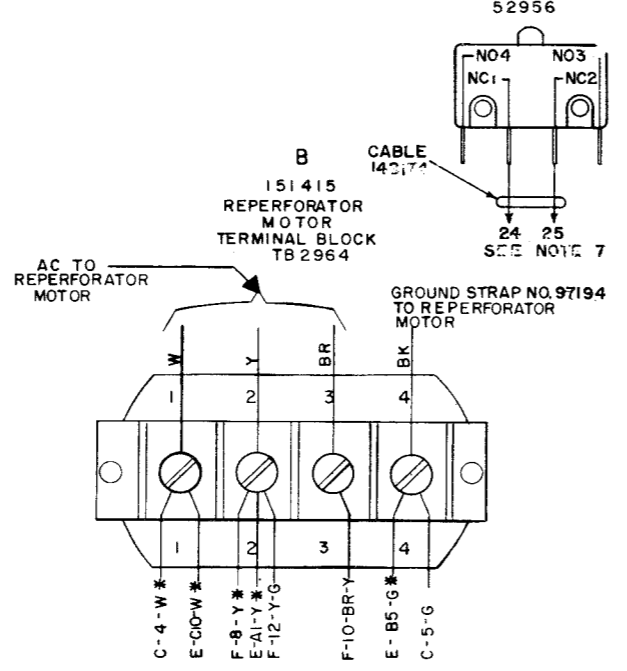
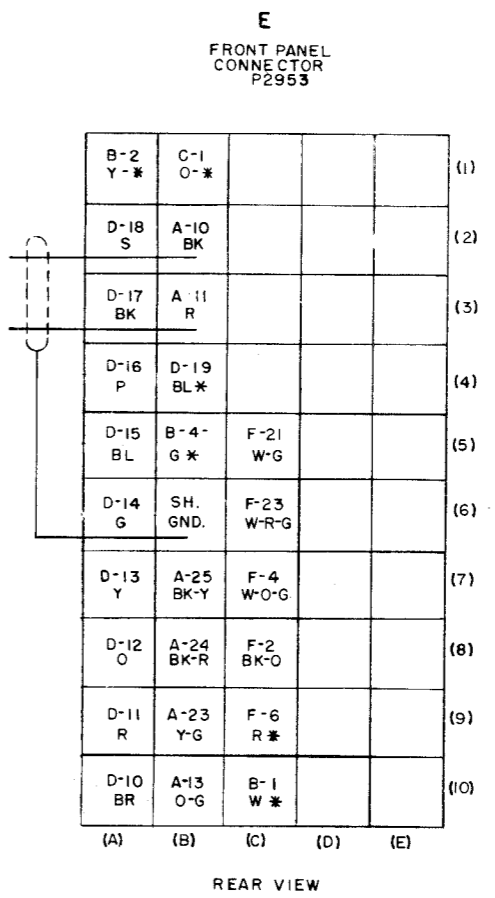
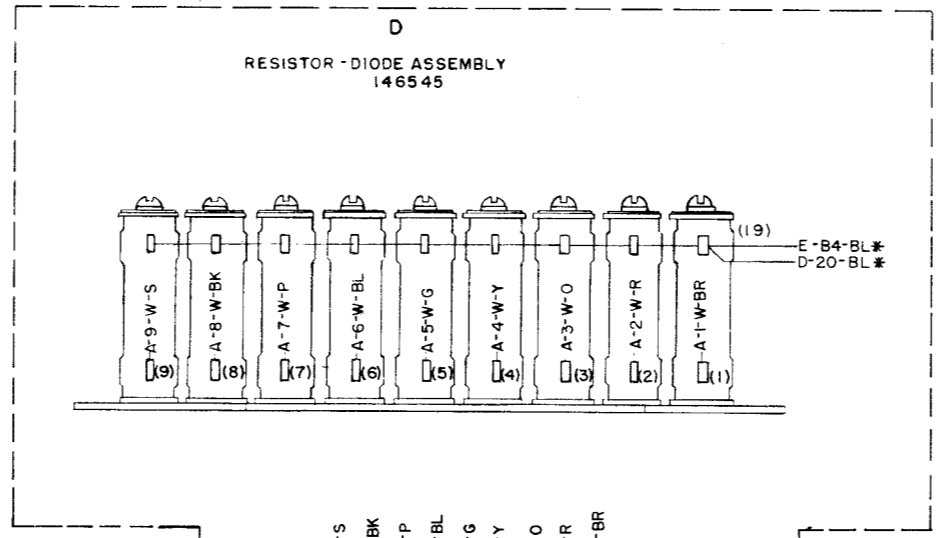
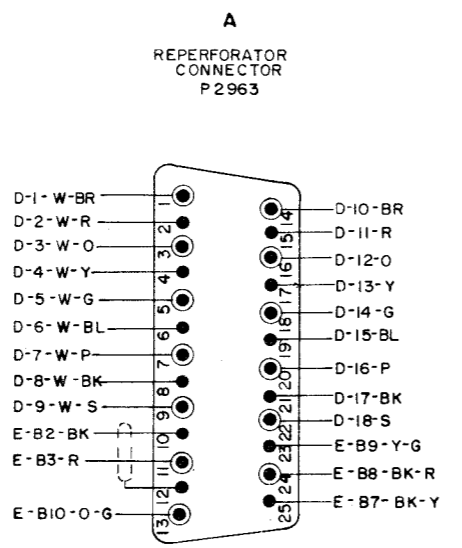
5703 WD

REVISIONS

ISSUE	DATE	AUTH. NO.
2	12-23-63	79366
3	3-2-64	79843
4	8-5-64	82110
5	11-3-64	83848

- NOTES
1. WIRING LEGEND:
  2. WIRE COLOR CODE  

BK-BLACK	G-GREEN
BR-BROWN	BL-BLUE
R-RED	P-PURPLE
O-ORANGE	W-WHITE
Y-YELLOW	S-SLATE
  3. \* INDICATES 18GA WIRE
  4. INDICATES SHIELDED TWISTED PAIR
  5. ASSOCIATED CABLE ASSEMBLIES  
 193233  
 193237  
 148174
  6. WIRED TO CONNECTOR J2915 ON MOTOR START PANEL USING PIN NUMBERS SHOWN.
  7. (2) INDICATES TERMINAL DESIGNATIONS FOR REFERENCE ONLY.
  8. WIRED TO CONNECTOR ON BRPE USING PIN NUMBERS SHOWN.
  9. FOR SCHEMATIC SEE 5721WD



RTTY ELECTRONICS  
 TELETYPE Sales-Service-Parts  
 PO Box 20101 El Sobrante, Ca.  
 94820. (510)222-3102  
 mr\_rtty@pacbell.net

ACTUAL WIRING DIAGRAM FOR REPERFORATOR FRONT PANEL (BRPE)

ASSEM. NO. 193232

APPROVALS

D AND R	E OF M
---------	--------

E-NUMBER  
 PROD. NO. 5703 WD  
 DATE 8-7-63  
 P.D. FILE NO. 33-A25AA  
 DRAWN R.C.D. CHKD. *[Signature]*  
 ENGD. R.E.P. APPD. *[Signature]*

TELETYPE CORPORATION

5703 WD