

ISSUE	DATE	AUTH. NO.
2	2-23-60	HS 1000
3	6-6-67	94052

NOTES

1. WIRING LEGEND



2. COLOR CODE

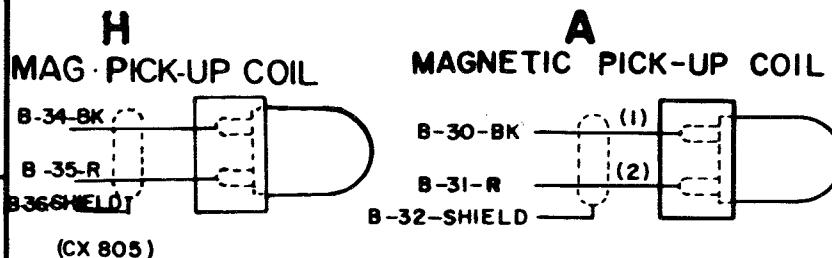
BK	BLACK	W Y	WHITE YELLOW
BR	BROWN	W G	WHITE GREEN
R	RED	W BL	WHITE BLUE
O	ORANGE	W P	WHITE PURPLE
Y	YELLOW	W S	WHITE SLATE
G	GREEN	BK R	BLACK RED
BL	BLUE	BK Y	BLACK YELLOW
P	PURPLE	BK G	BLACK GREEN
S	SLATE	R Y	RED YELLOW
W BK	WHITE BLACK	R G	RED GREEN
W BR	WHITE BROWN	W BK Y	WHITE BLACK YELLOW
W R	WHITE RED	W BK G	WHITE BLACK GREEN
W O	WHITE ORANGE	W R Y	WHITE RED YELLOW

3. CONTACTS SHOWN IN UNOPERATED POSITION.

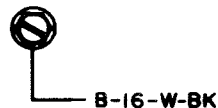
4. NUMBERS ENCLOSED BY PARENTHESES () ARE USED FOR REFERENCE AND ARE NOT NECESSARILY SHOWN ON THE PARTS.

5. STRAP WITH #22 GAGE WIRE AS INDICATED.

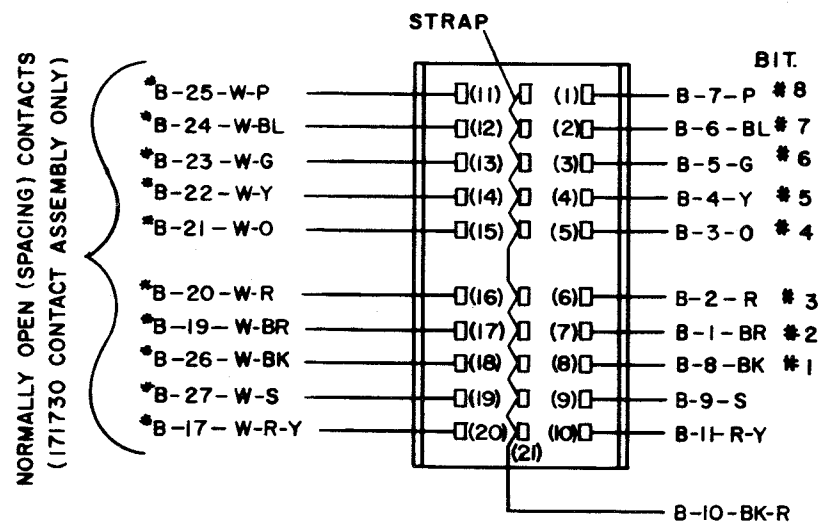
6. (*) INDICATES ADDITIONAL WIRES IN 171250 CABLE ASSEMBLY.



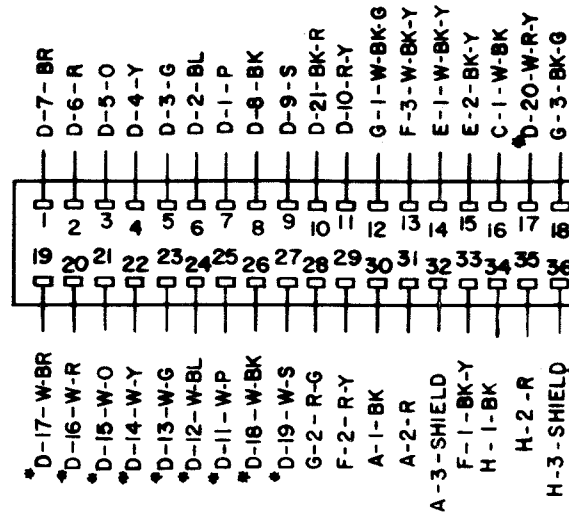
C
GROUND SCREW



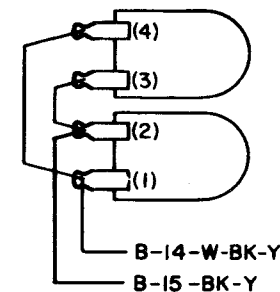
D
CODE READING CONTACT ASSEMBLY
(VIEWED FROM SOLDER TERMINAL END)



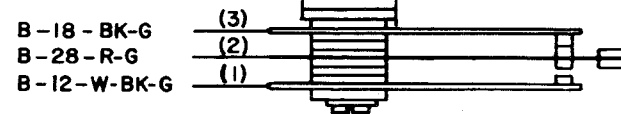
B
CONNECTOR (PLUG)
(VIEWED FROM RECEPTACLE END)



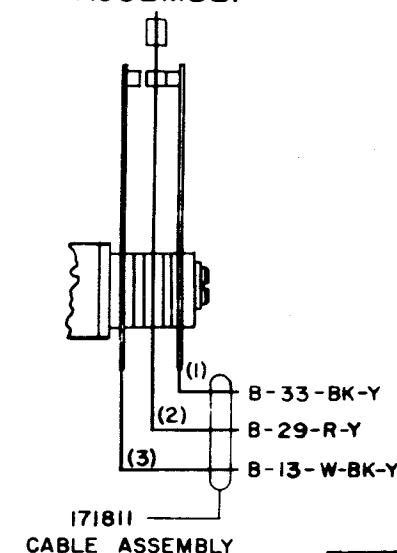
E
OPERATE MAGNET COILS



G
START-STOP (TIGHT-TAPE) CONTACT ASSEMBLY



F
TAPE-OUT CONTACT ASSEMBLY



RTTY ELECTRONICS
TELETYPE=Sales-Service-Parts
PO Box 20101 El Sobrante, Ca.
94820. (510)222-3102
mr_rtty@pacbell.net

ACTUAL WIRING DIAGRAM
CX READER

APPROVALS

D AND R E OF M

E-NUMBER

PROD. NO. 5072 WD

DATE: 12-20-59

P.D. FILE NO. 3-47.134 AA

DRAWN R.B.B. CHKD

ENGD. J.F.K. APPD

TELETYPE CORPORATION

5072 WD