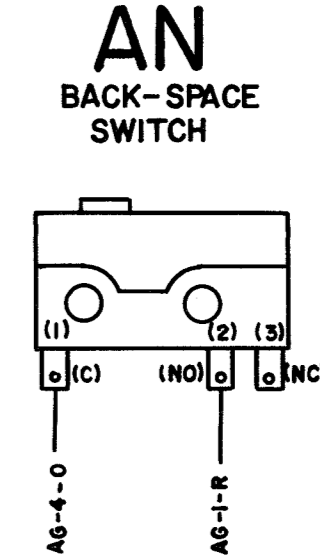
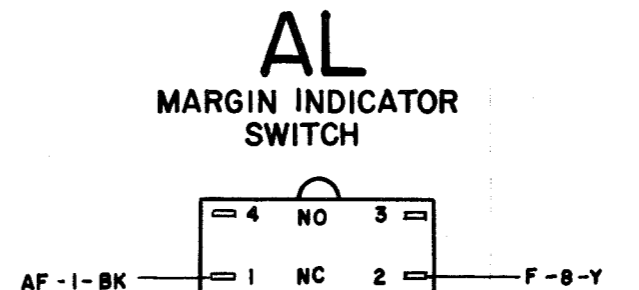
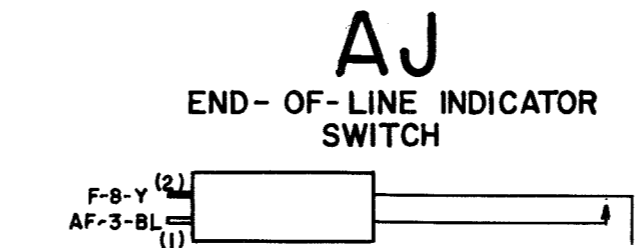
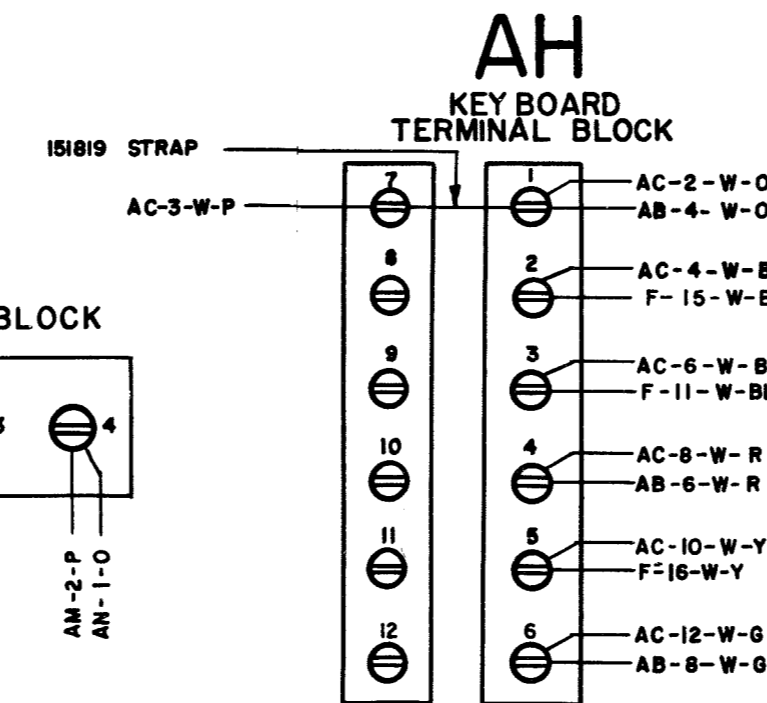
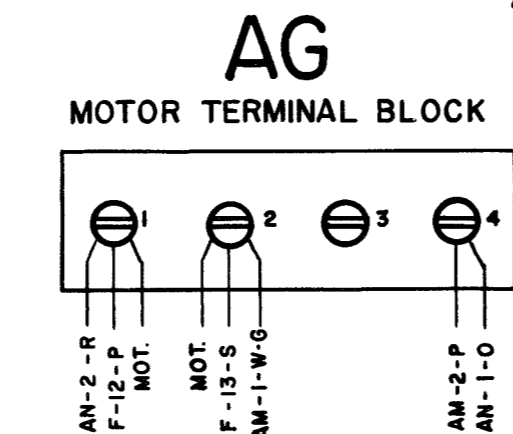
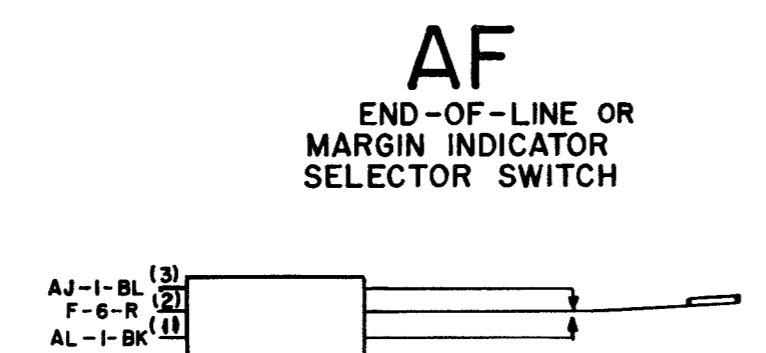
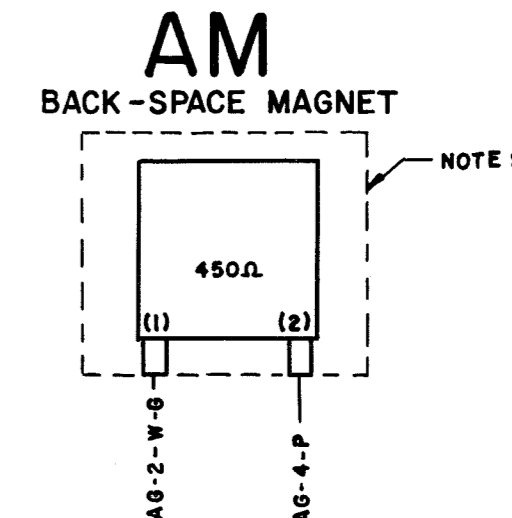
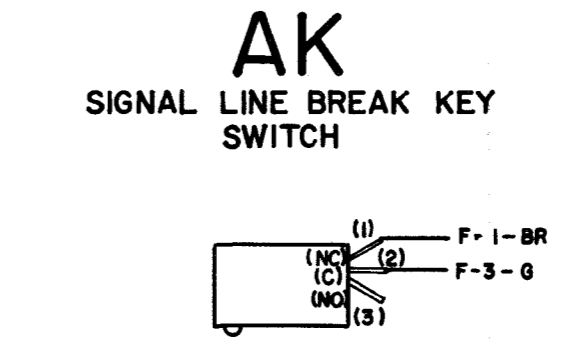
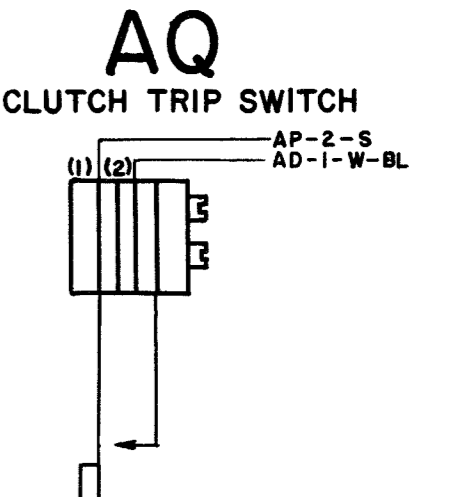
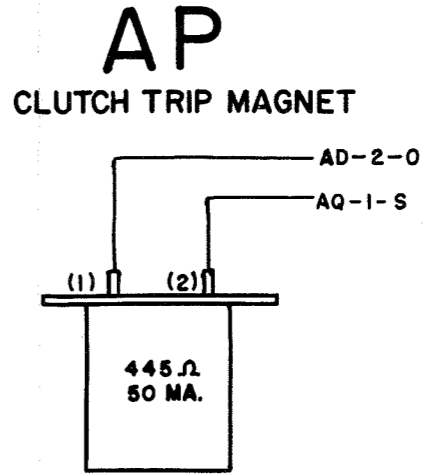
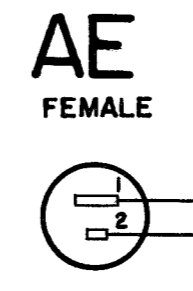
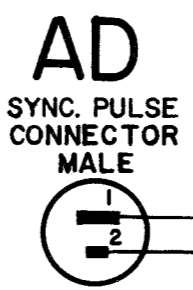
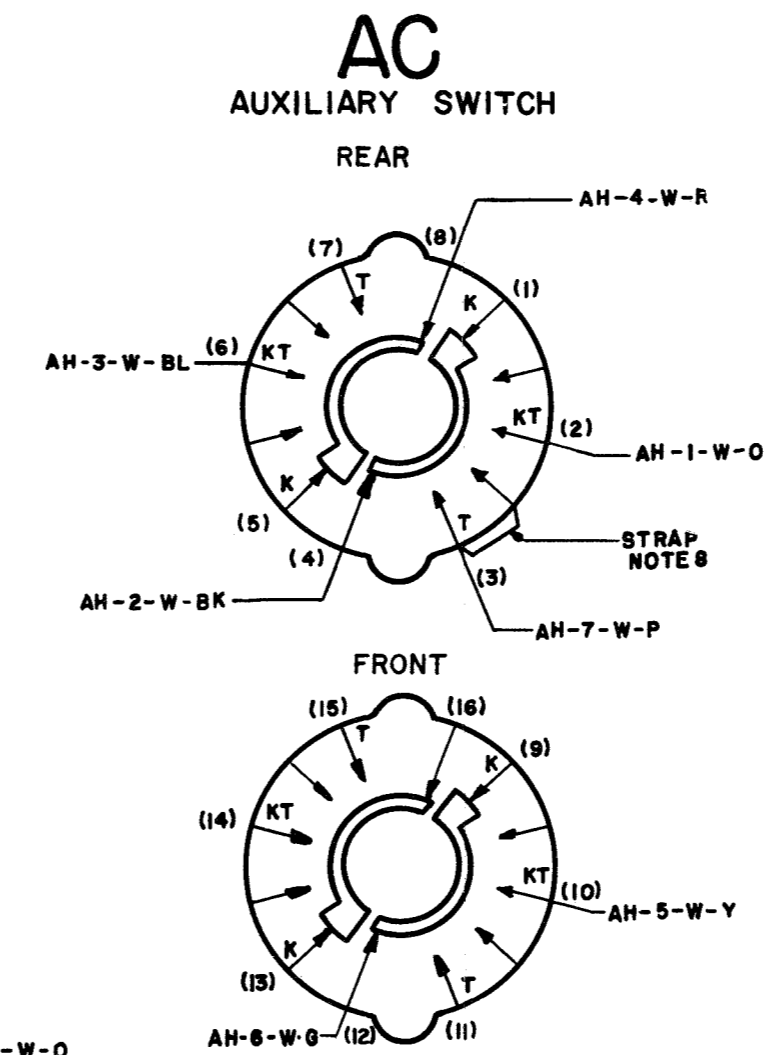
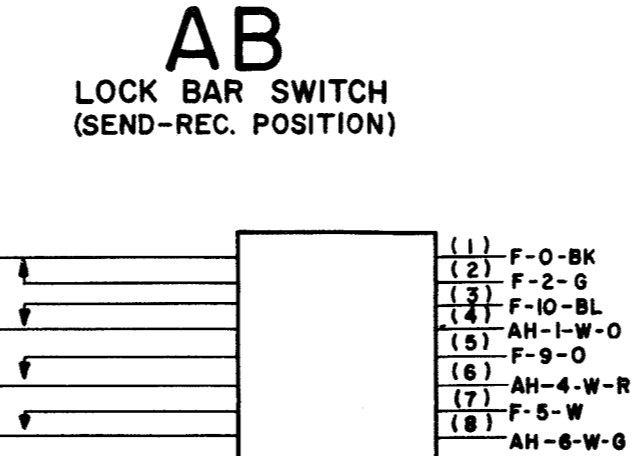
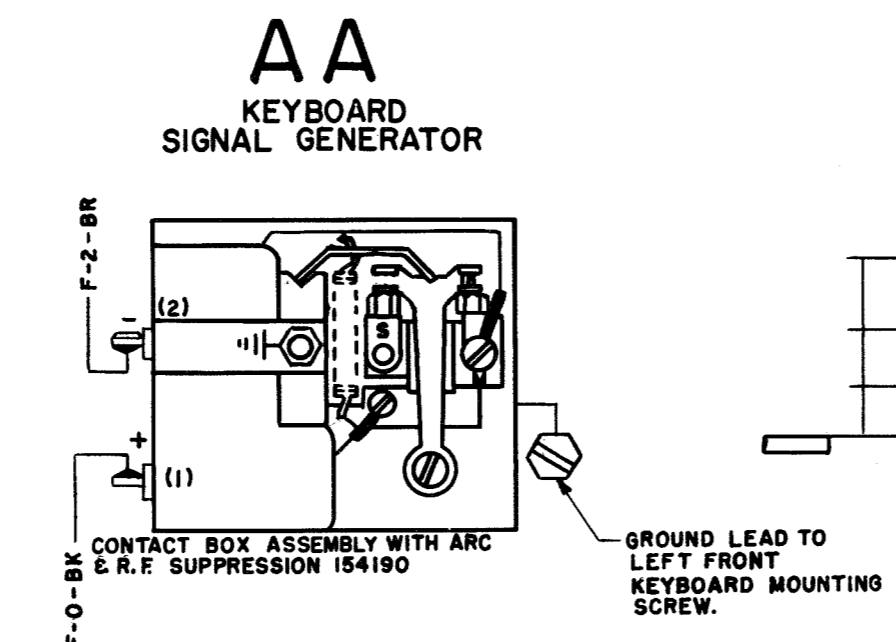
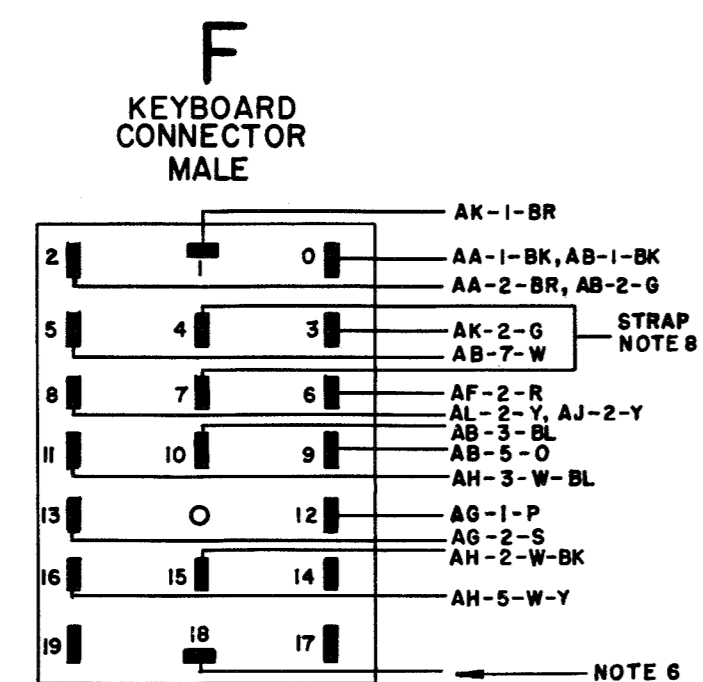


NO.	NOTES
1.	<b>WIRING LEGEND:</b> 
2.	<b>COLOR CODE:</b> BK — BLACK BR — BROWN R — RED O — ORANGE Y — YELLOW G — GREEN BL — BLUE P — PURPLE W — WHITE S — SLATE
3.	UNIT WIRED FOR 115 VOLTS 50-60 $\pm$ AC POWER INPUT.
4.	CONNECTORS VIEWED FROM SOLDER TERMINAL ENDS.
5.	ALL CONTACTS SHOWN IN UNOPERATED POSITION IN KEYBOARD.
6.	SPARE TERMINAL OF F-18 RESERVED FOR POLAR OPERATION OF KEYBOARD SIGNAL GENERATOR.
7.	<b>ASSOCIATED CABLES.</b> 158224 CABLE ASSEMBLY, AUXILIARY 158249 CABLE ASSEMBLY, KEYBOARD 155992 CABLE ASSEMBLY, BACK SPACE 159343 CABLE ASSEMBLY, BACK SPACE MAGNET 179362 CABLE ASSEMBLY, SYNC. PULSE
8.	BARE WIRE STRAP 39522 RM.
9.	PART OF ASSOCIATED UNIT (LPE, LPR, LRPE, OR LTPE)
10.	UNCOIL, ROUTE, AND CONNECT 179362 CABLE TO TWO OPEN CABINET TERMINALS, TYING UP ANY SLACK.



4927 WD		
REVISIONS		
ISSUE	DATE	AUTH. NO.

ACTUAL WIRING DIAGRAM MODEL 28 KEYBOARD BASE LAK 31

DATE: 12-15-61  
 P.D. FILE NO. 4927 WD  
 DRAWN RLW CHKD. JCS  
 ENGD. EFD APPD. EGC

TELETYPE CORPORATION  
 4927 WD

RTTY ELECTRONICS  
 TELETYPE=Sales-Service-Parts  
 PO Box 20101 El Sobrante, Ca.  
 94820. (510)222-3102  
 mr\_rtty@pacbell.net