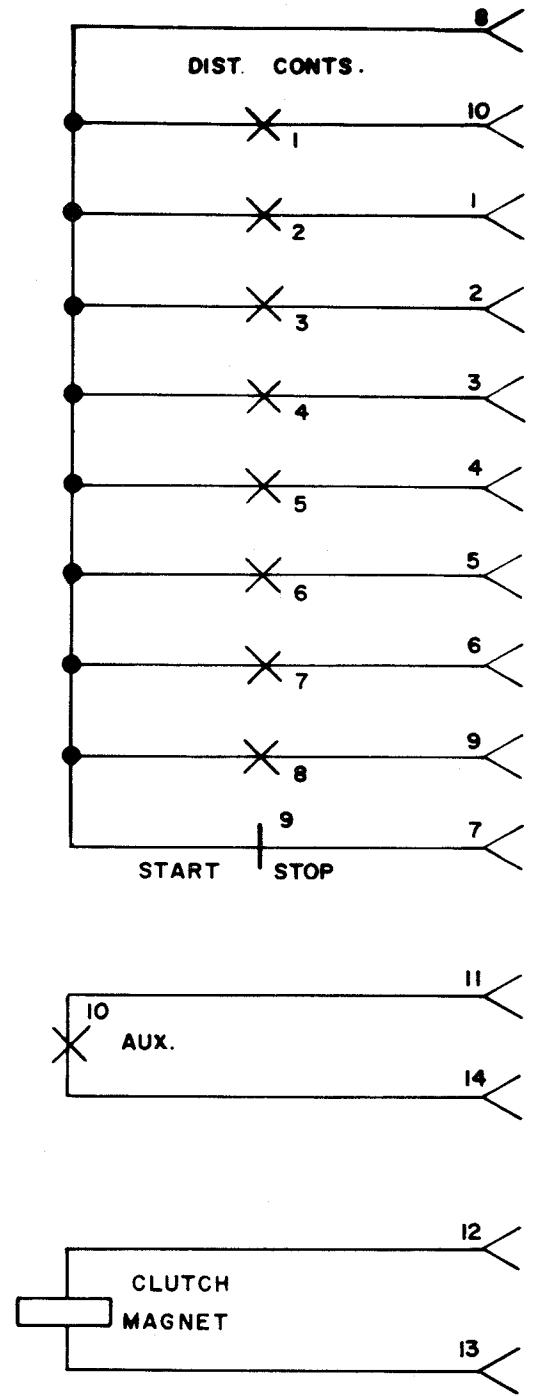
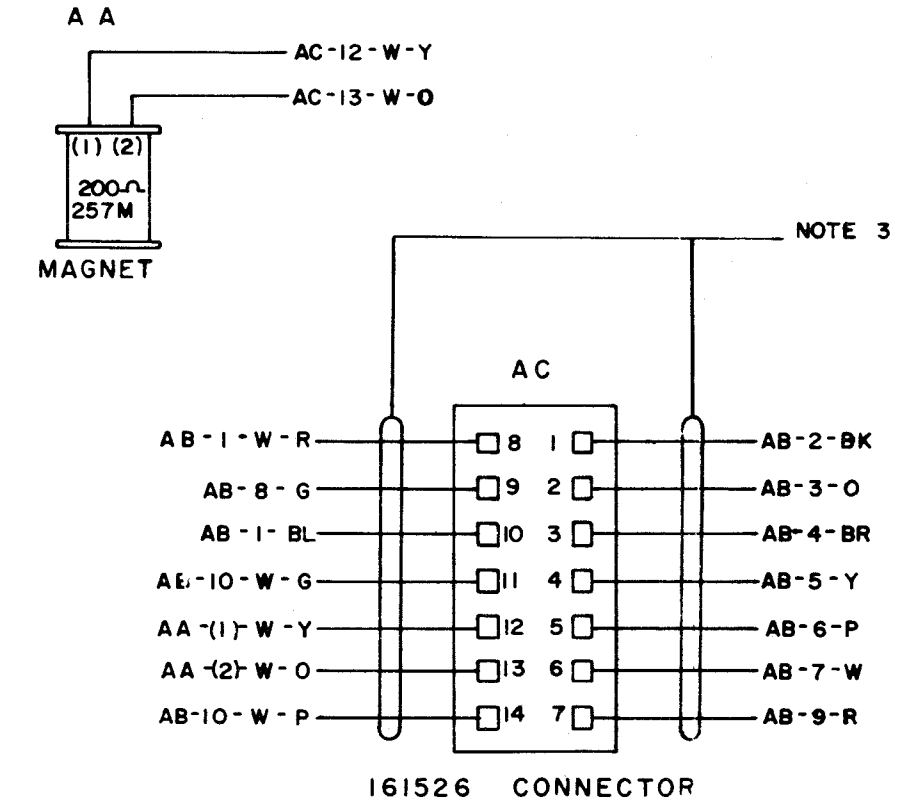
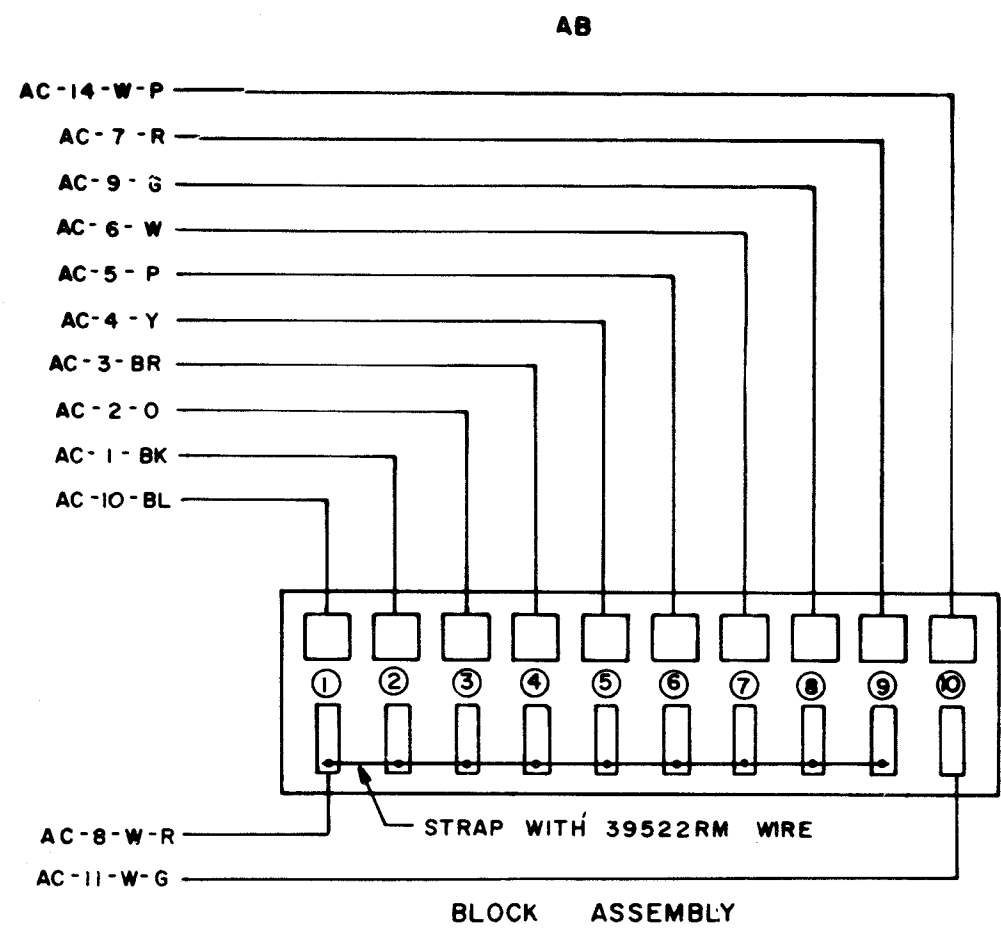


- NO. NOTES**
- 1. WIRING LEGEND:**
- AB-2-W
 - DISTANT TERMINATING AREA
 - DISTANT TERMINATING DESIGNATION
 - WIRE COLOR CODE
- 2. COLOR CODE:**
- | | | | |
|----|--------|---|--------|
| BK | BLACK | R | RED |
| BL | BLUE | W | WHITE |
| BR | BROWN | Y | YELLOW |
| G | GREEN | O | ORANGE |
| P | PURPLE | | |
- 3. CABLE AND CONNECTOR ASSEMBLIES USED ARE:**
- | | | |
|-------|---|--------|
| LD800 | - | 197942 |
| LD805 | - | 197942 |
| LD801 | - | 197942 |
| LD802 | - | 194010 |
| LD803 | - | 197942 |
| LD804 | - | 197942 |
- 4. THE LD 804 CONTAINS GOLD PLATED CONTACTS. THE ROCKER-ROCKER GUIDE STRAP IS PART OF THE ROCKER ASSEM..**
- 5. THE NUMBERS ENCLOSED BY PARENTHESES ARE USED FOR REFERENCE AND ARE NOT NECESSARILY SHOWN ON PARTS.**



RTTY ELECTRONICS
 TELETYPE=Sales-Service-Parts
 PO Box 20101 El Sobrante, Ca.
 94820. (510)222-3102
 mr_rtty@pacbell.net

4790WD

ISSUE	DATE	AUTH. NO.
1	6-21-63	76658
2	3-13-64	7920
3	3-11-65	8639
4	6-14-65	87342
5	5-30-66	9001
6	7-11-67	94311
7	1-20-68	96604

WDP

MULTIPLE WIRE DISTRIBUTOR
 LD800, LD801, LD802, LD803, LD804, LD805

APPROVALS

D AND R	E OF M
---------	--------

E-NUMBER
 PROD. NO. 4790 WD

DATE: 3-3-64
 P.D. FILE NO. I-30/II.65A175
 DRAWN. L.J.F. CHKD. *mon*
 ENGD. J.A.J. APPD. *O.A.*

TELETYPE CORPORATION

4790WD