

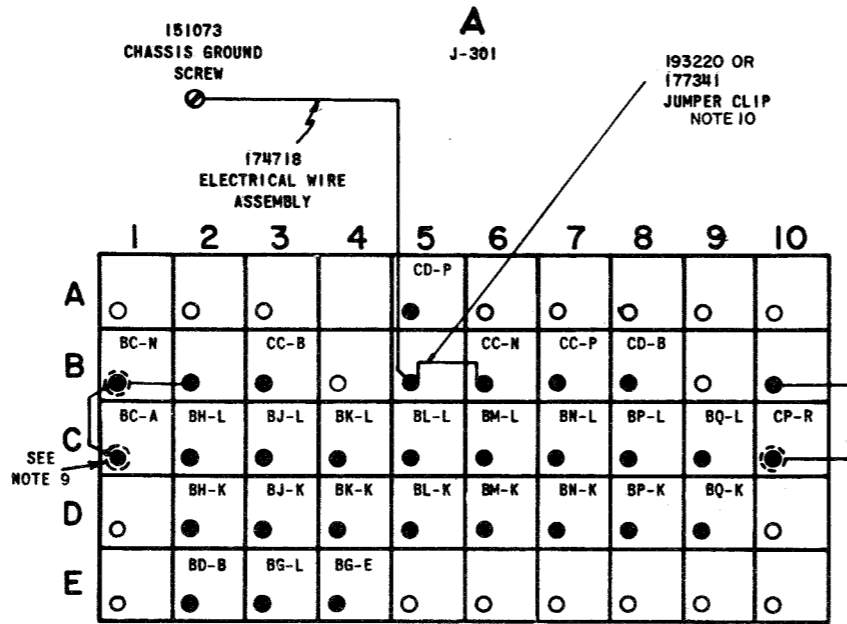
4440WD

REVISIONS

ISSUE	DATE	AUTH. NO.
A	10-24-61	71476
B	2-9-62	72430
E 4	8-14-62	74193
E 5	10-24-62	74815
E 6	11-19-63	78923
7	10-27-65	89078

- NO. NOTES**
- WIRING LEGEND**

 DISTANT TERMINATING AREA
 DISTANT TERMINATING DESIGNATION
 AA-47-W WIRE COLOR CODE
 - COLOR CODE:**
 BK - BLACK G - GREEN
 BR - BROWN BL - BLUE
 R - RED P - PURPLE
 O - ORANGE S - SLATE
 Y - YELLOW W - WHITE
 - INDICATES 24 GAGE SHIELDED WIRE
 - USE SLEEVING TO INSULATE, WHERE NECESSARY.
 - FOR SURFACE WIRING USE 24 GAGE, TYPE BG, 31784RM GREEN WIRE, EXCEPT WHERE COLOR CODED WIRE IS NOTED.
 - USE 24 GAGE STRAPPING WIRE ADJACENT TERMINALS AND LONG STRAIGHT RUNS.
 - FOR SCHEMATIC WIRING DIAGRAM, REFER TO 4441WD.
 - REFER TO VARIATIONS IN APPARATUS CODES CHART.
 - DENOTES SHIELDED WIRE.
 - JUMPER CLIP 177341 REPLACED BY 193220

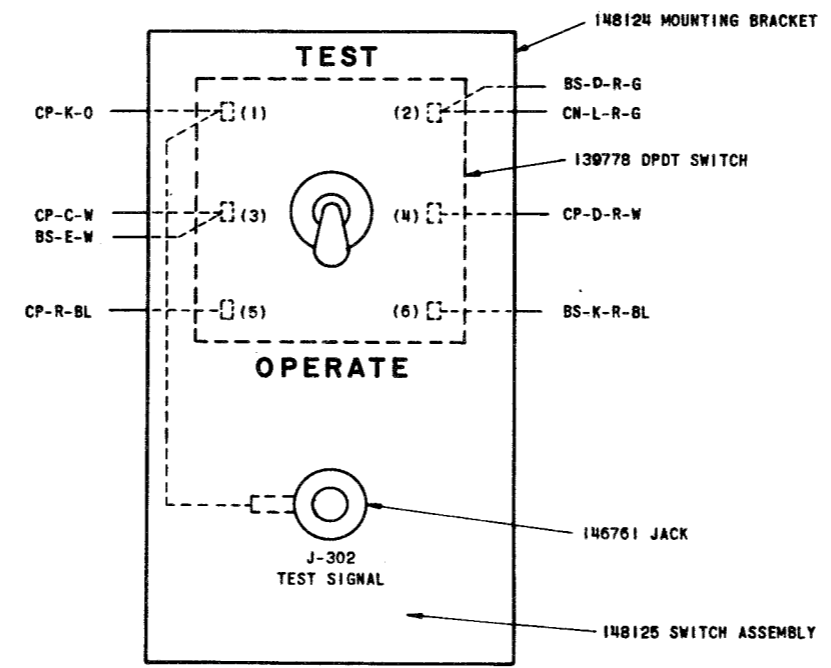


VARIATIONS IN APPARATUS CODES CHART
 COMPONENTS OMITTED OR INCLUDED - OMIT, X INCLUDE

CODE TRD	501	601	701	801	502	602	702	802	703	803	804
BAUD	600										
LEVEL	5	6	7	8	5	6	7	8	7	8	8
A STRAPS	-	-	X	-	-	-	X	-	X	-	-
B STRAPS	-	X	-	-	-	X	-	-	-	-	-
C STRAPS	X	-	-	-	X	-	-	-	-	-	-

CODE-TRD	603	804
BAUD	1050	
LEVEL	6	8
A STRAPS	-	-
B STRAPS	X	-
C STRAPS	-	-

CR CS



SHEET 1 OF 3

ACTUAL WIRING DIAGRAM FOR HIGH SPEED RECEIVING DISTRIBUTOR TRD 501 TO 502 601 TO 603 701 TO 703 801 TO 804

APPROVALS

D AND R *HJK* E OF M *[Signature]*

E-NUMBER
 PROD. NO. 4440WD
 DATE 4-13-61
 P.D. FILE NO. 1-122.134AA
 DRAWN S.V. CHKD.
 ENGD. E.H.P. APPD.

RTTY ELECTRONICS
 TELETYPE=Sales-Service-Parts
 PO Box 20101 El Sobrante, Ca.
 94820. (510)222-3102
 mr_rtty@pacbell.net

TELETYPE CORPORATION

4440WD

REFER TO SHEET 1 FOR NOTES

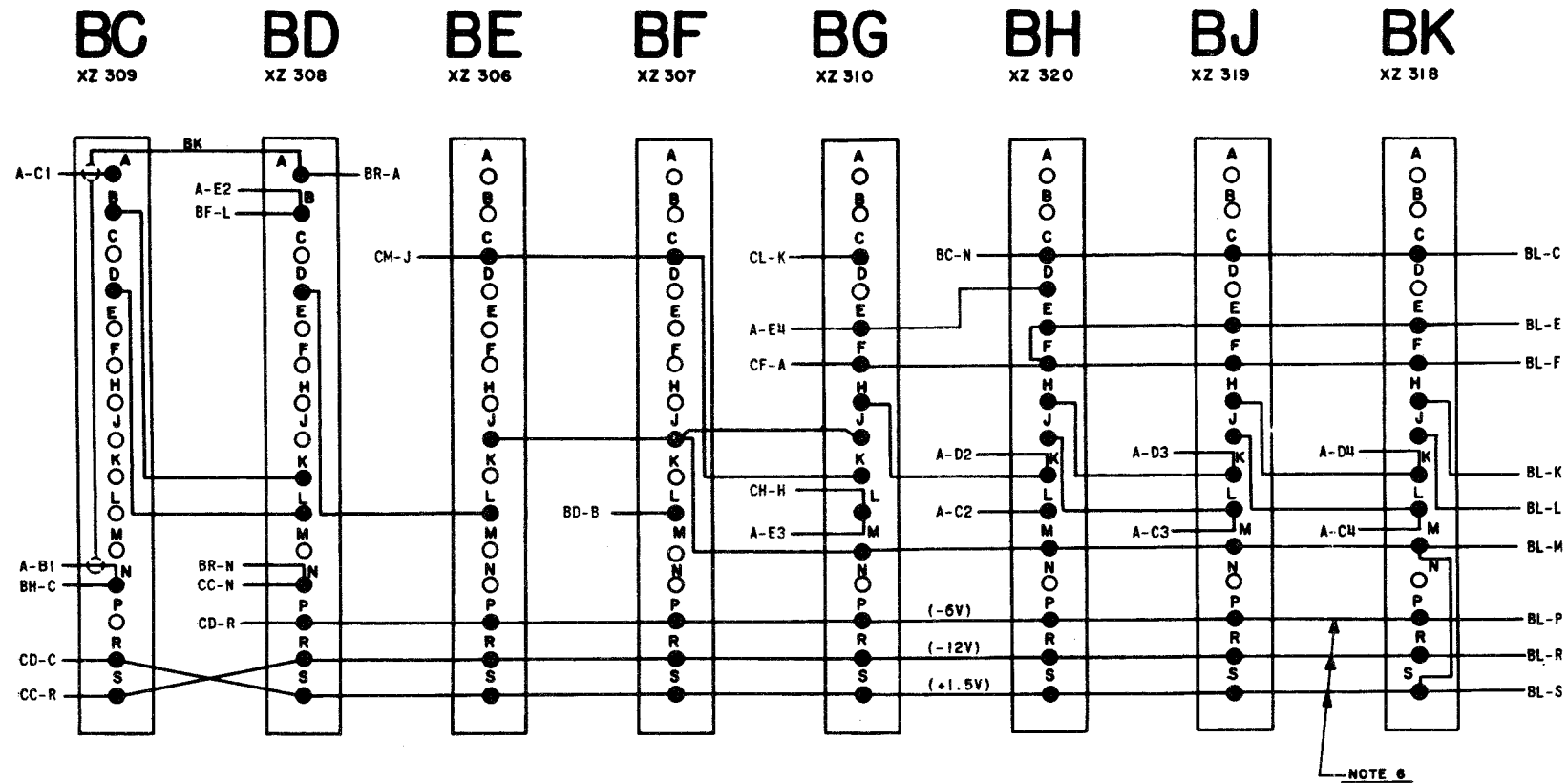
MODULE WIRING DIAGRAM

4440WD

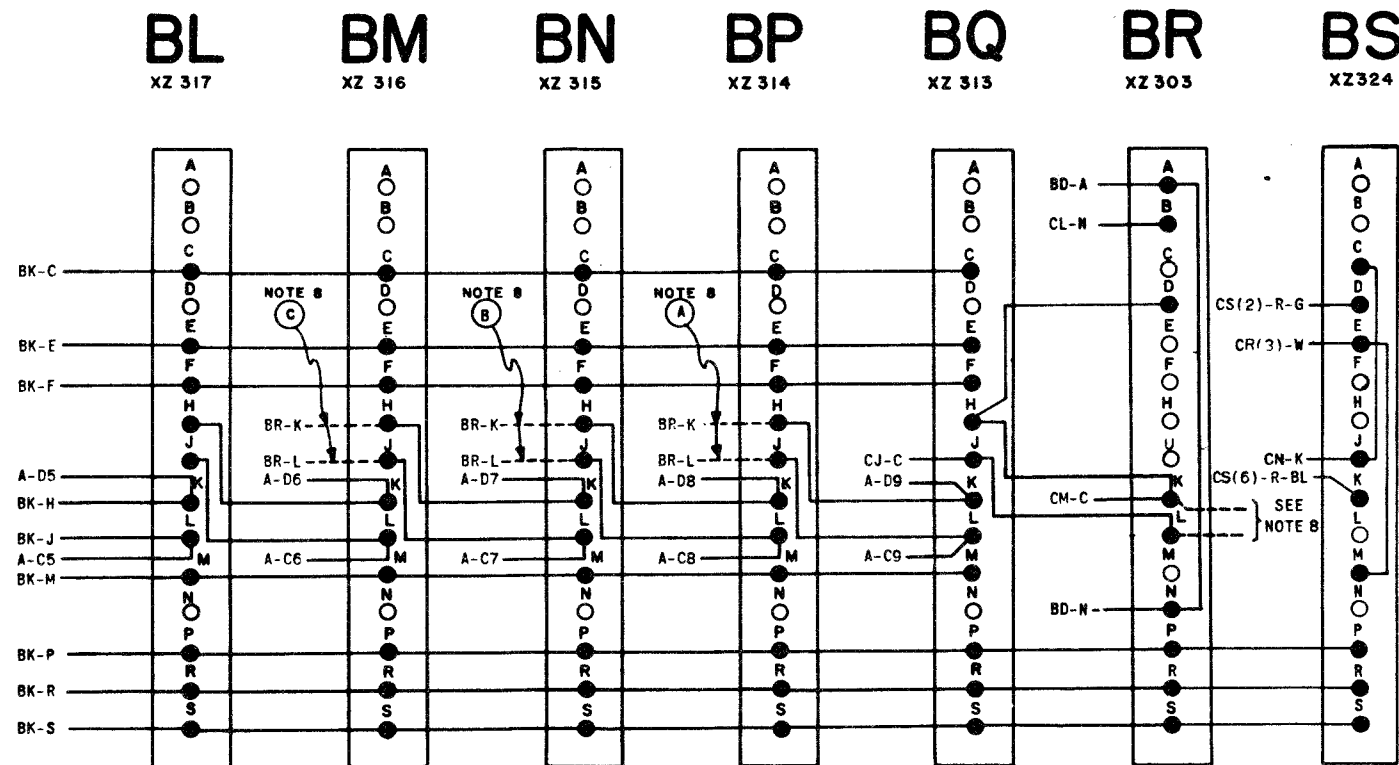
REVISIONS

ISSUE	DATE	AUTH. NO.
A	10-24-61	71476
B	2-9-62	72430
C 4	8-14-62	74193
D 5	10-24-62	74815
E 6	11-19-63	78923

RTTY ELECTRONICS
 TELETYPE=Sales-Service-Parts
 PO Box 20101 El Sobrante, Ca.
 94820. (510)222-3102
 mr_rtty@pacbell.net



FRONT



TERMINAL SIDE VIEW

SHEET 2 OF 3

ACTUAL WIRING DIAGRAM FOR HIGH SPEED RECEIVING DISTRIBUTOR TRD 601 TO 602, 601 TO 603, 701 TO 703, 801 TO 804

APPROVALS

D AND R: *HAK*
 E OF M: *[Signature]*

E-NUMBER
 PROD. NO. 4440WD
 DATE 4-13-61
 P.D. FILE NO. 1-122.134AA
 DRAWN S.V. *[Signature]* CHKD. *[Signature]*
 ENSD. E.N.P. APPD. *[Signature]*

TELETYPE CORPORATION

4440WD

REFER TO SHEET 1 FOR NOTES

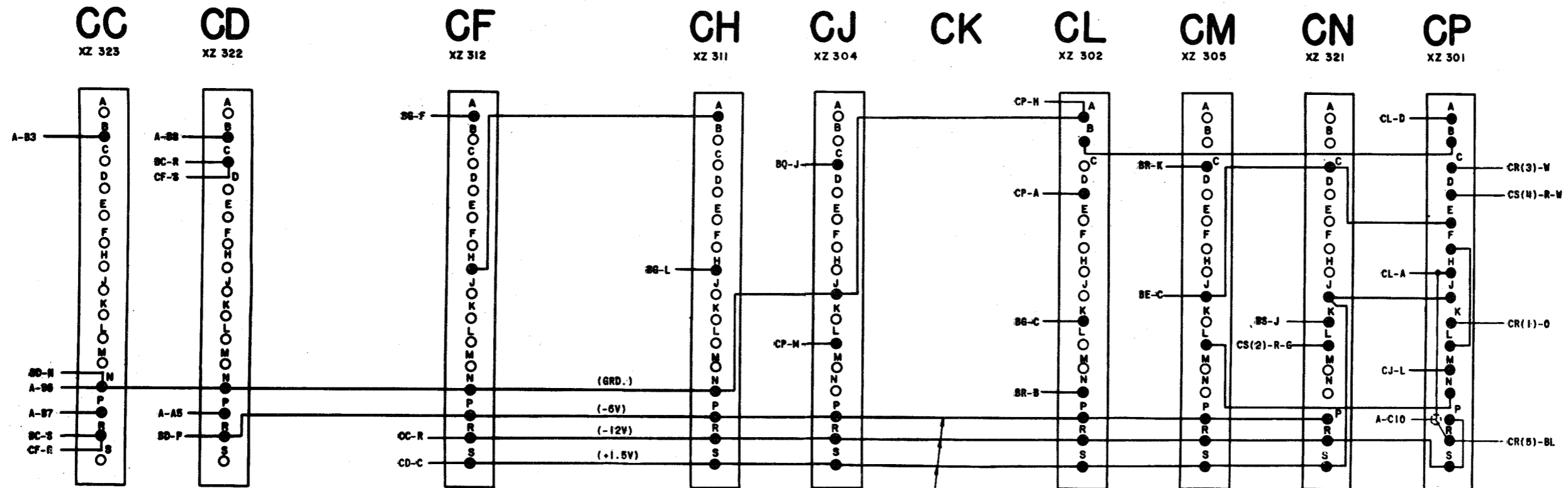
4440WD

REVISIONS

ISSUE	DATE	AUTH. NO.
A	10-24-61	71476
B	2-9-62	72430
E 4	8-14-62	74183
F 5	10-24-62	74816
F 6	11-19-63	78923

MODULE WIRING DIAGRAM

RTTY ELECTRONICS
 TELETYPE=Sales-Service-Parts
 PO Box 20101 El Sobrante, Ca.
 94820. (510)222-3102
 mr_rtty@pacbell.net



TERMINAL SIDE VIEW

FRONT

SHEET 3 OF 3

ACTUAL
 WIRING DIAGRAM
 FOR
 HIGH SPEED
 RECEIVING
 DISTRIBUTOR
 TRD 601 TO 602
 601 TO 603
 701 TO 703
 801 TO 804

APPROVALS	
D AND R <i>HAK</i>	E OF M <i>[Signature]</i>
E-NUMBER	
PROD. NO. 4440WD	
DATE 4-13-61	
P.D. FILE NO. 1-122.134AA	
DRAWN S.W.	CHKD.
ENGD. E.H.P.	APPD.

TELETYPE CORPORATION

4440WD