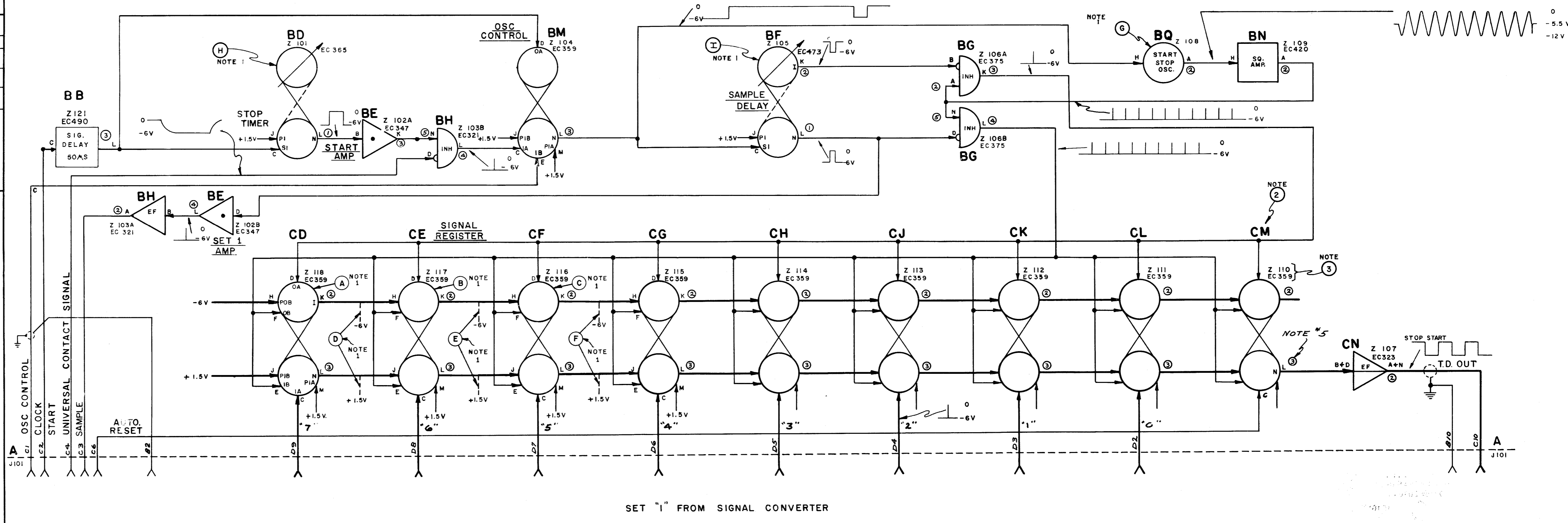
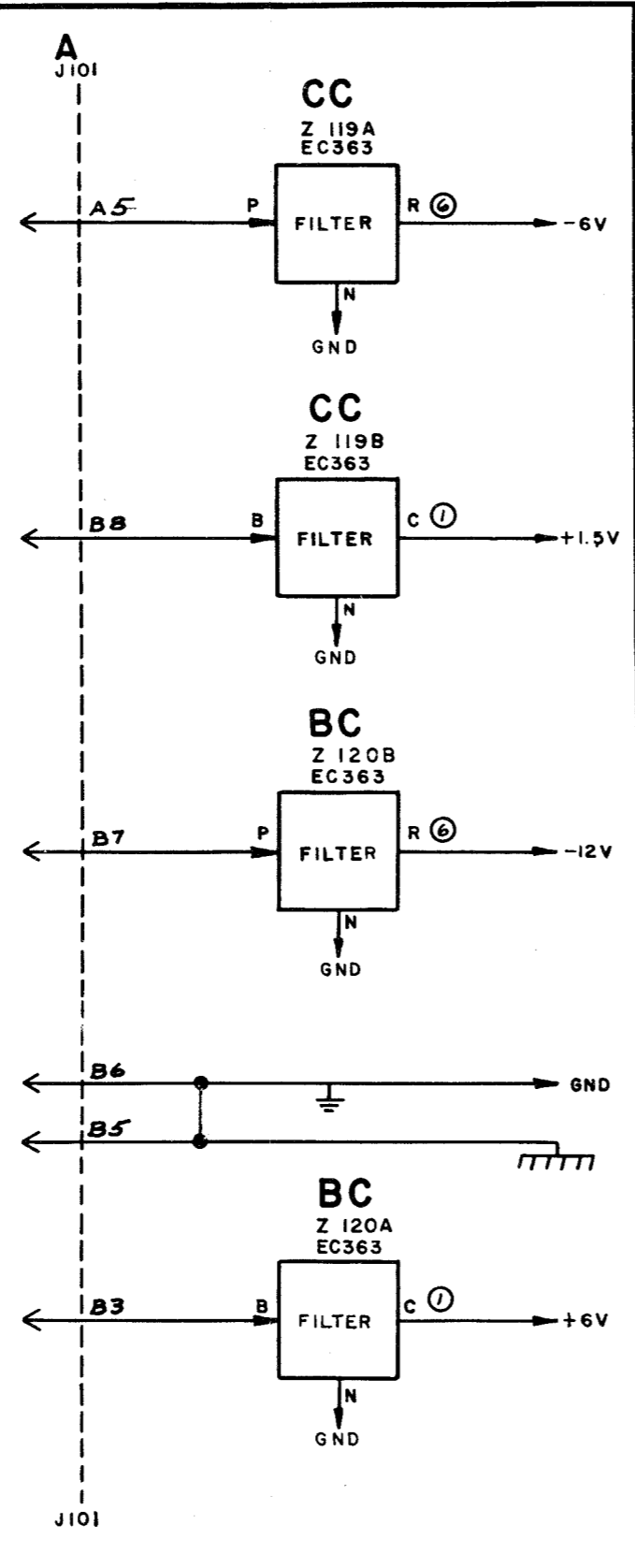
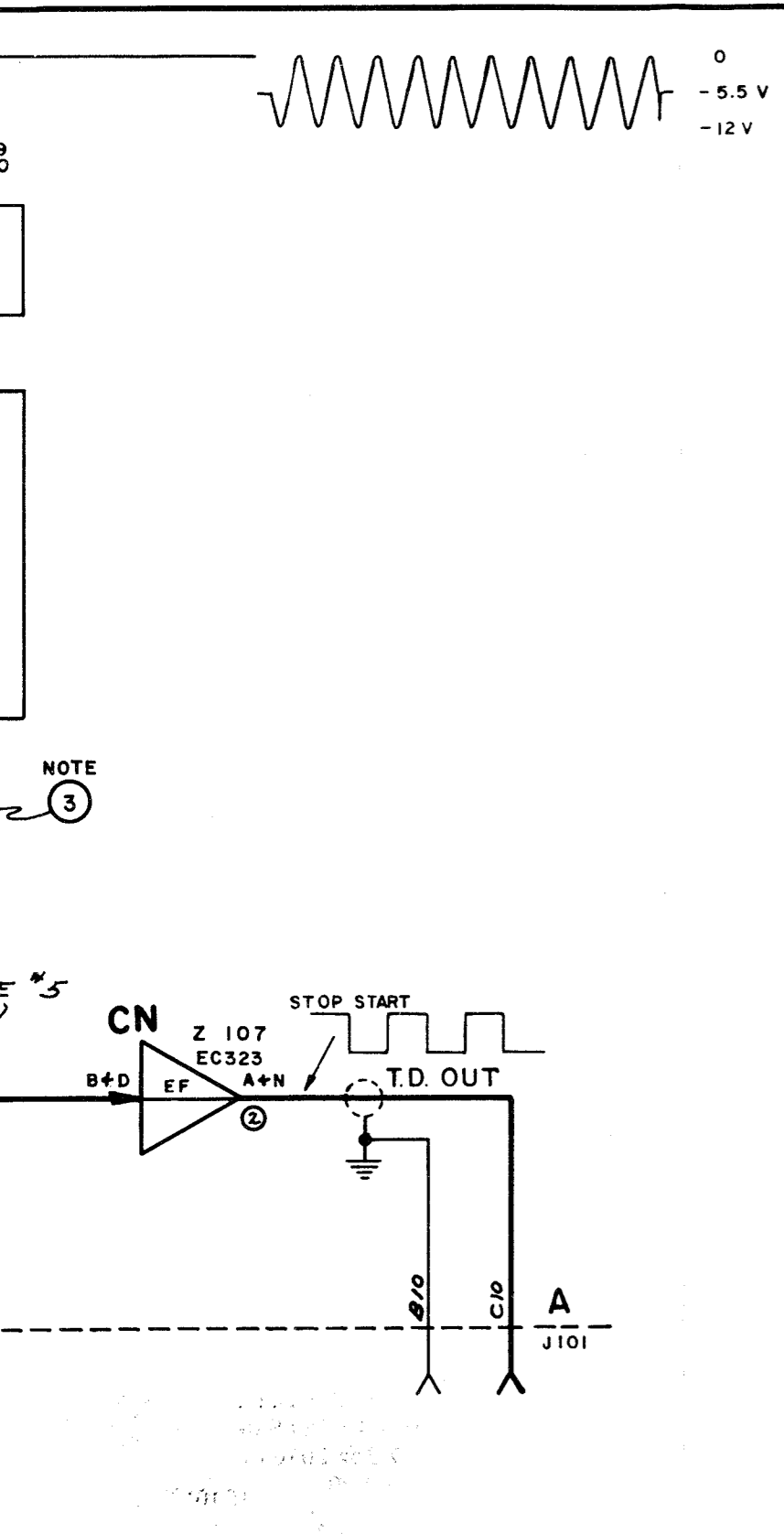


- | NO | NOTES |
|----|--|
| 1 | REFER TO VARIATIONS IN APPARATUS CODES CHART |
| 2 | DENOTES POSITION IN MODULE |
| 3 | Z NUMBER DENOTES CIRCUIT ELEMENT AND EC NUMBER REFERS TO CIRCUIT BOARD. |
| 4 | FOR ACTUAL WIRING DIAGRAM REFER TO 4438WD. |
| 5 | ② NUMBER IN CIRCLE DENOTES TEST POINT ON CIRCUIT CARD. |
| 6 | WITH REGARD TO OUTPUT WAVEFORMS OF EC365, EC473 AND EC359 RISE AND FALL TIMES SHOULD BE 6 μSECS OR LESS WITH VOLTAGE LEVELS OF -6V ± 4V TO 0V OR SLIGHTLY POSITIVE. ALL OTHER OUTPUTS SHOULD HAVE RISE TIMES OF 6 μSECS OR LESS WITH THE EXCEPTION OF START-STOP OSCILLATOR. |



SET "1" FROM SIGNAL CONVERTER

RTTY ELECTRONICS
 TELETYPE-Sales-Service-Parts
 PO Box 20101 El Sobrante, Ca.
 94820. (510)222-3102
 mr_rtty@pacbell.net



VARIATIONS IN APPARATUS CODES CHART

		COMPONENTS OMITTED OR INCLUDED — OMIT X INCLUDE											
CODE - TTD		501	601	701	801	502	602	702	802	703	803	804	
	BAUD	600				750				900		1050	
	LEVEL	5	6	7	8	5	6	7	8	7	8	8	
A	EC 359	—	—	—	X	—	—	—	X	—	X	X	
B	EC 359	—	—	X	X	—	—	X	X	X	X	X	
C	EC 359	—	X	X	X	—	X	X	X	X	X	X	
D	STRAPS	—	—	X	—	—	—	X	—	X	—	—	
E	STRAPS	—	X	—	—	—	X	—	—	—	—	—	
F	STRAPS	X	—	—	—	X	—	—	—	—	—	—	
G	START-STOP OSCILLATOR	EC391 (1.66ms)				EC392 (1.33ms)				EC393 (1.11ms)	EC394 (.952ms)		
H	ADJUST TO	1600us				1250us				1040us	900us		
I	ADJUST TO	825us				650us				500us	475us		

CODE-TTD	603
BAUD	1050
LEVEL	6
A	EC359
B	EC359
C	EC359
D	STRAPS
E	STRAPS
F	STRAPS
G	START-STOP OSCILLATOR EC394 0.952MS
H	ADJUST TO 900us
I	ADJUST TO 475us

4439WD

REVISIONS

ISSUE	DATE	AUTH. NO.
A	11-1-61	71487
B	2-9-62	72428
C	4-6-62	73039

SCHMATIC DIAGRAM FOR HIGH SPEED TRANSMITTING DISTRIBUTOR

TTD 501 TO 502
601 TO 603
701 TO 703
801 TO 804

DATE 14-APRIL-61
P.D. FILE NO. 1-11.134A1
DRAWN *SM* CHKD *HL*
ENGD. EXP. APP. *HL*

TELETYPE CORPORATION
4439WD