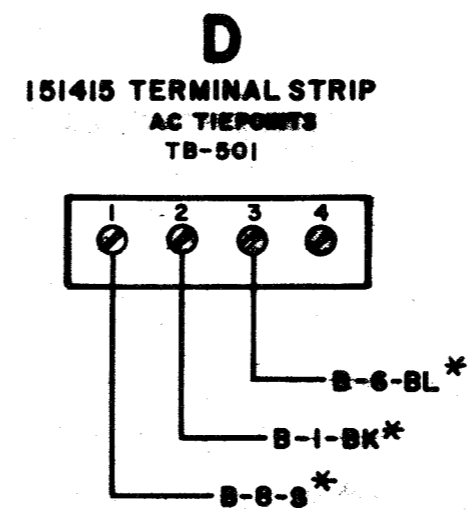
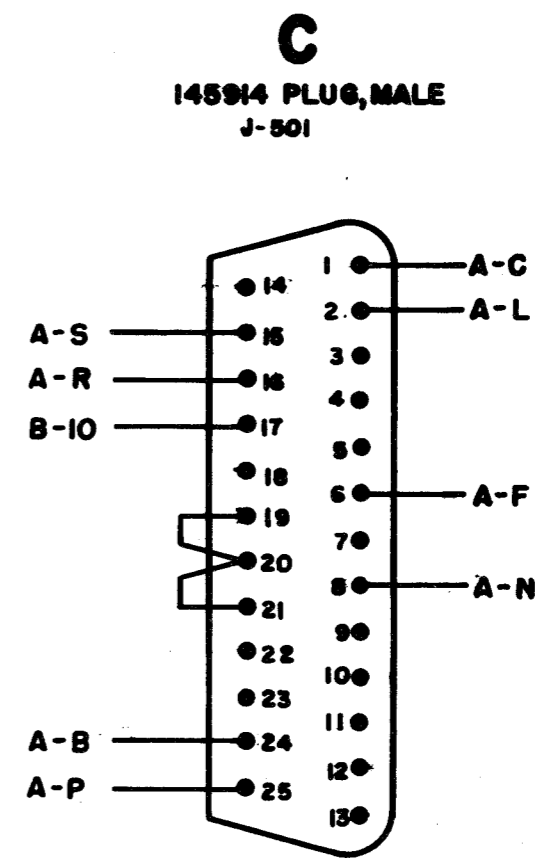
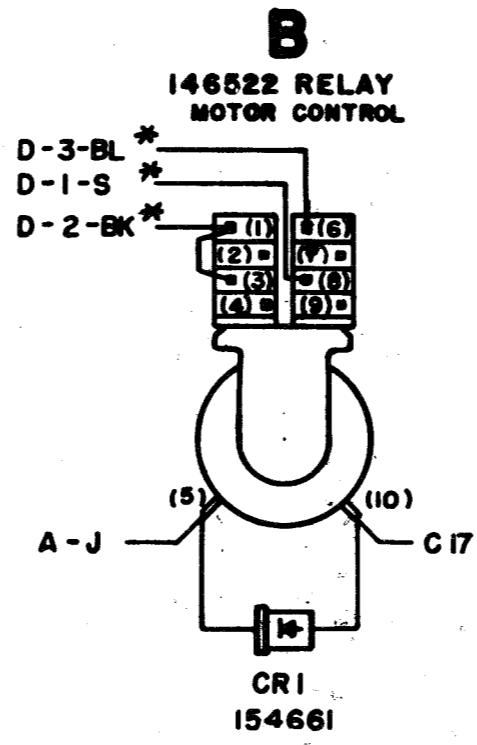
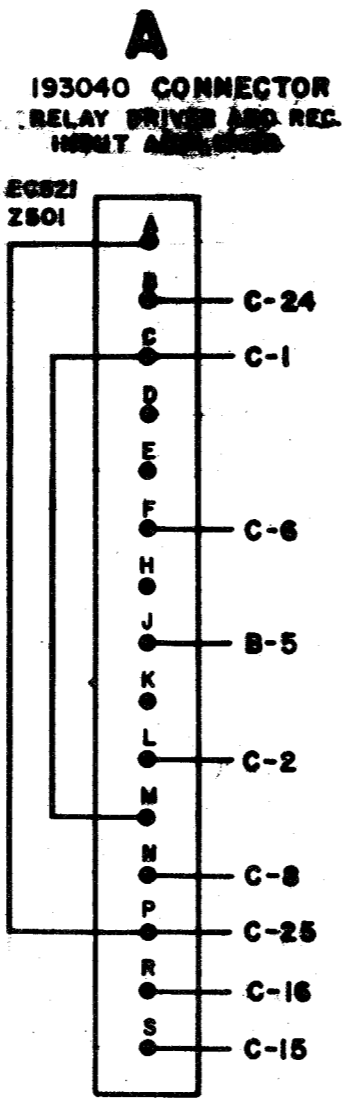


3844 WD

ISSUE	DATE	AUTH. NO.
2	2-5-62	72339
3	5-11-64	81678

- NO. NOTES**
- WIRING LEGEND:**
 DISTANT TERMINATING AREA
B-6-BK
 WIRE COLOR CODE
 DISTANT TERMINATING DESIGNATION
 - USE SLEEVING TO INSULATE WHERE NECESSARY.
 - USE 24GA TYPE B631784RM GREEN WIRE UNLESS OTHERWISE SPECIFIED.
 - * DENOTES 18GA WIRE.
 - COLOR CODE:**
 BK BLACK BR BROWN
 R RED O ORANGE
 Y YELLOW BL BLUE
 G GREEN P PURPLE
 S SLATE W WHITE
 - ALL CONNECTIONS VIEWED FROM COMPONENT END.
 - NUMBERS IN () NOT MARKED ON COMPONENTS.
 - FOR SCHEMATIC WIRING DIAGRAM REFER TO 3844WD

RTTY ELECTRONICS
 TELETYPE=Sales-Service-Parts
 PO Box 20101 El Sobrante, Ca.
 94820. (510)222-3102
 mr_rtty@pacbell.net



ACTUAL WIRING DIAGRAM
 FOR
 DATASPEED AUTOMATIC
 ANSWER KIT.
 (RECEIVER)

APPROVALS

D AND R	E OF M
<i>[Signature]</i>	<i>[Signature]</i>
E-NUMBER	
PROD. NO. 3844 WD	
DATE: 12-OCT-61	
P.D. FILE NO. I- 11.134AA	
DRAWN. SW	CHKD.
ENGD. CJR	APPROV. <i>[Signature]</i>

TELETYPE
 CORPORATION
 3844 WD