

3837 WD

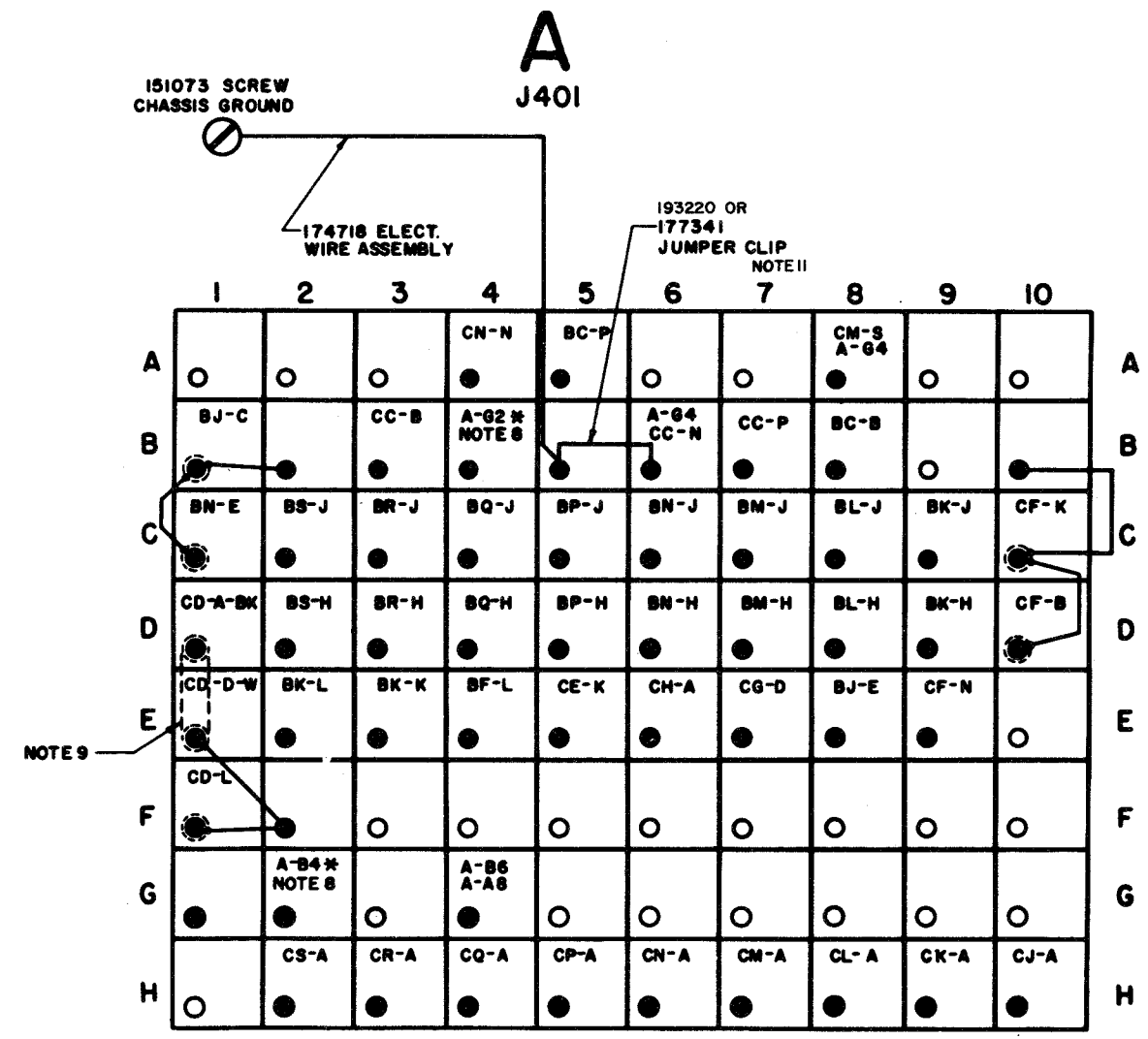
REVISIONS

ISSUE	DATE	AUTH. NO.
5	2-28-62	72636
6	10-27-65	89078
7	2-18-69	96799

RTTY ELECTRONICS  
 TELETYPE=Sales-Service-Parts  
 PO Box 20101 El Sobrante, Ca.  
 94820. (510)222-3102  
 mr\_rtty@pacbell.net

REAR PLATE

- NOTES
1. WIRING LEGEND:
  2. COLOR CODE:  
 BK - BLACK      G - GREEN  
 BR - BROWN     JL - BLUE  
 R - RED          S - SLATE  
 O - ORANGE      W - WHITE  
 Y - YELLOW      P - PURPLE
  3. INDICATES SHIELDED WIRE #24 GAGE
  4. USE SLEEVING TO INSULATE WHERE NECESSARY.
  5. FOR SURFACE WIRING USE #24 GAGE, TYPE 963175MM GREEN WIRE, EXCEPT WHERE COLOR CODED WIRE IS NOTED.
  6. X - USE #24 GAGE STRAPPING WIRE, 20003MM, TO WIRE ADJACENT TERMINALS AND LONG STRAIGHT RUNS.
  7. FOR SCHEMATIC WIRING DIAGRAM, REFER TO 3833WD.
  8. \* - USE 18 GAGE WIRE, 31770MM. (24)
  9. INDICATES TWO-CONDUCTOR SHIELDED CABLE.
  10. STRAP FROM CJ-3 TO CS-3 INCLUSIVE SHALL BE TWO 24 GAGE BARE STRAPS.
  11. JUMPER CLIP 177341 REPLACED BY 193220



SHEET 1 OF 3

ACTUAL WIRING DIAGRAM FOR HIGH SPEED TAPE RECEIVING SIGNAL CONVERTER TRSC 600,700,800

APPROVALS

D AND R <i>HJK</i>	E OF M <i>[Signature]</i>
-----------------------	------------------------------

E-NUMBER

PROD. NO. 3837WD

DATE 12-19-69

P.D. FILE NO. 1-122.134AA

DRAWN R.H.B.    CHKD.

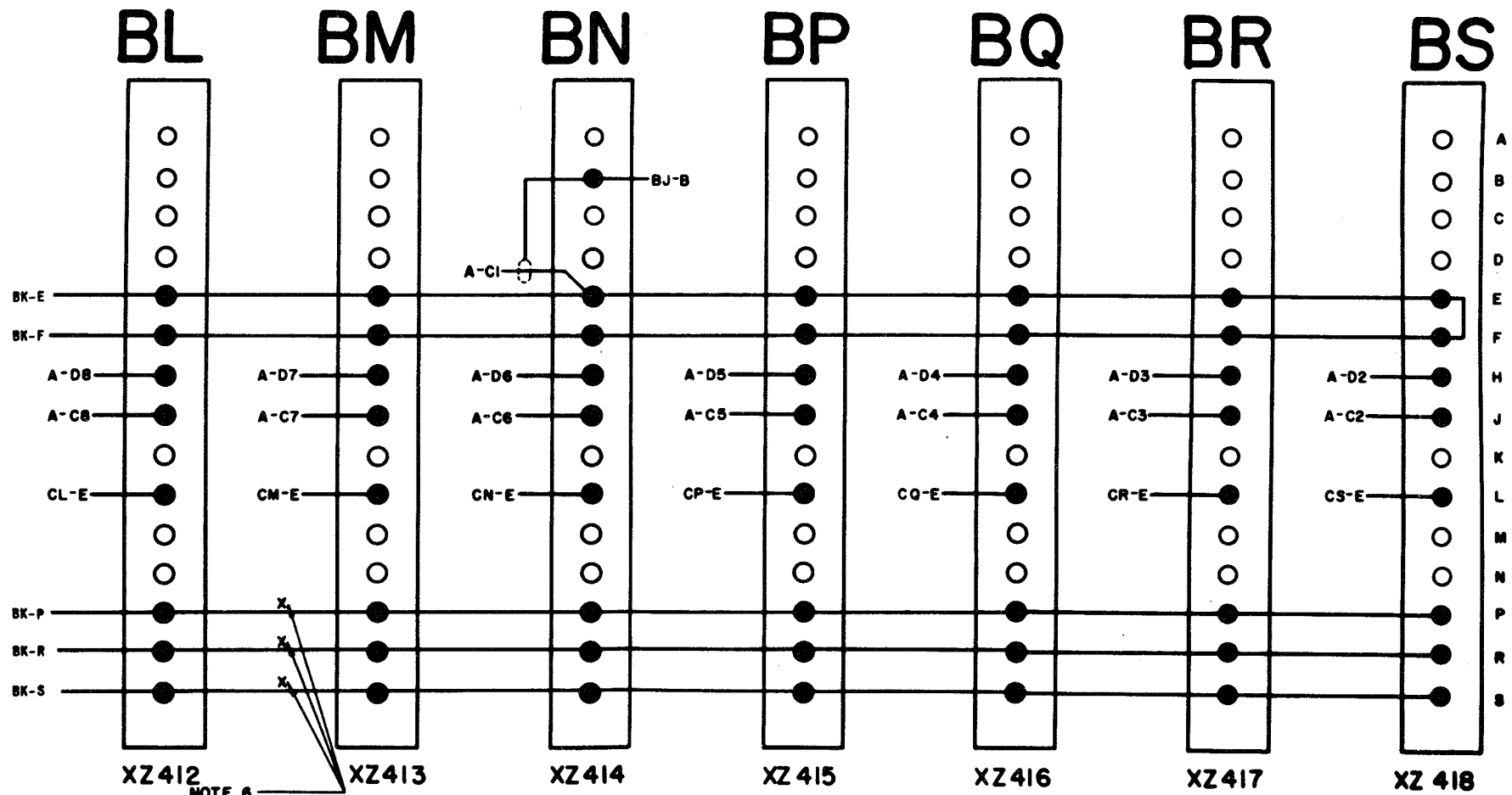
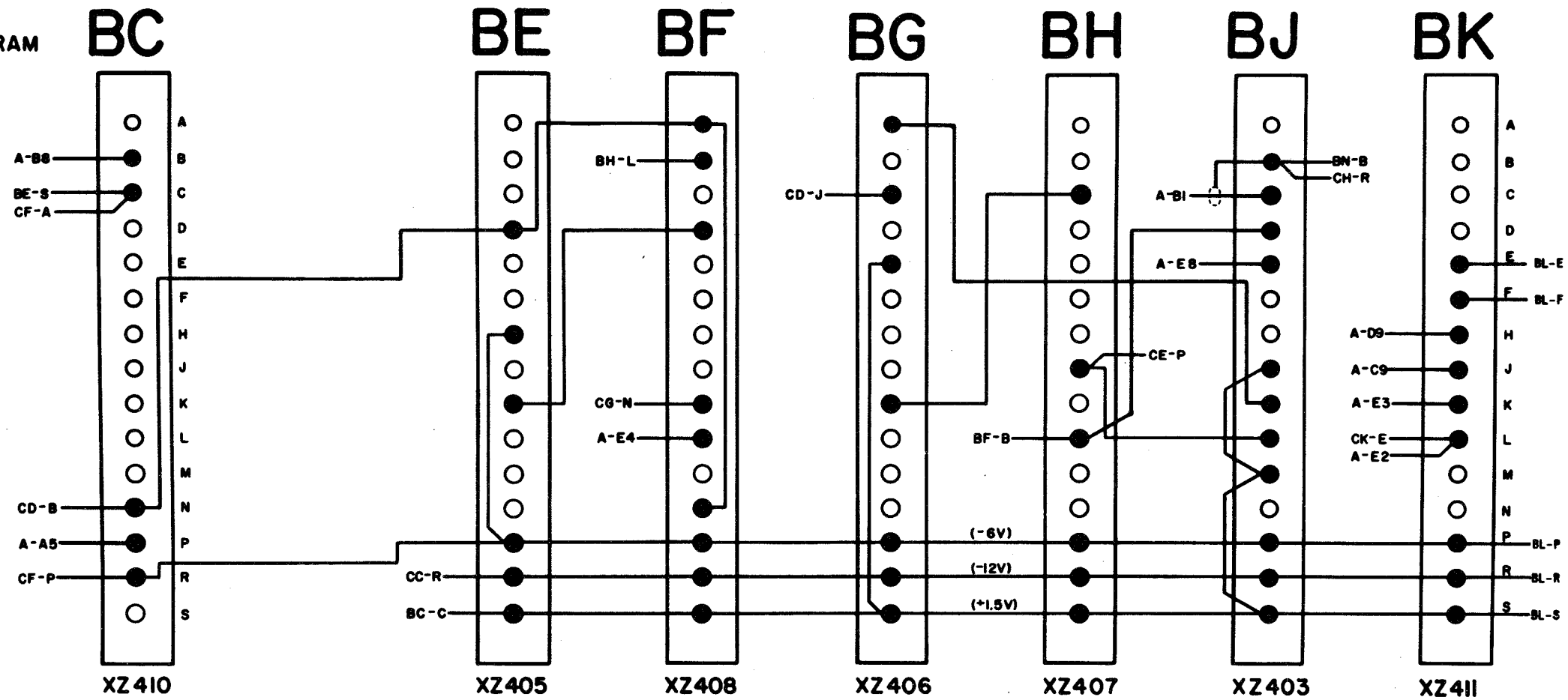
ENGD. E.H.P.    APPD.

TELETYPE CORPORATION

3837 WD

SEE SHEET 1 FOR NOTES.

MODULE WIRING DIAGRAM



TERMINAL SIDE VIEW

NOTE 6

3837WD

REVISIONS

ISSUE	DATE	AUTH. NO.
5	2-28-62	78836
6	2-18-69	96799

RTTY ELECTRONICS  
 TELETYPE=Sales-Service-Parts  
 PO Box 20101 El Sobrante, Ca.  
 94820. (510)222-3102  
 mr\_rtty@pacbell.net

FRONT

SHEET 2 OF 3

ACTUAL  
 WIRING DIAGRAM  
 FOR  
 HIGH SPEED  
 TAPE RECEIVING  
 SIGNAL CONVERTER  
 TRSC 600,700,800

APPROVALS

D AND R *AK* E OF M *[Signature]*

E-NUMBER

PROD. NO. 3837WD

DATE 12-19-69

R.D. FILE NO. 1-122.13MAA

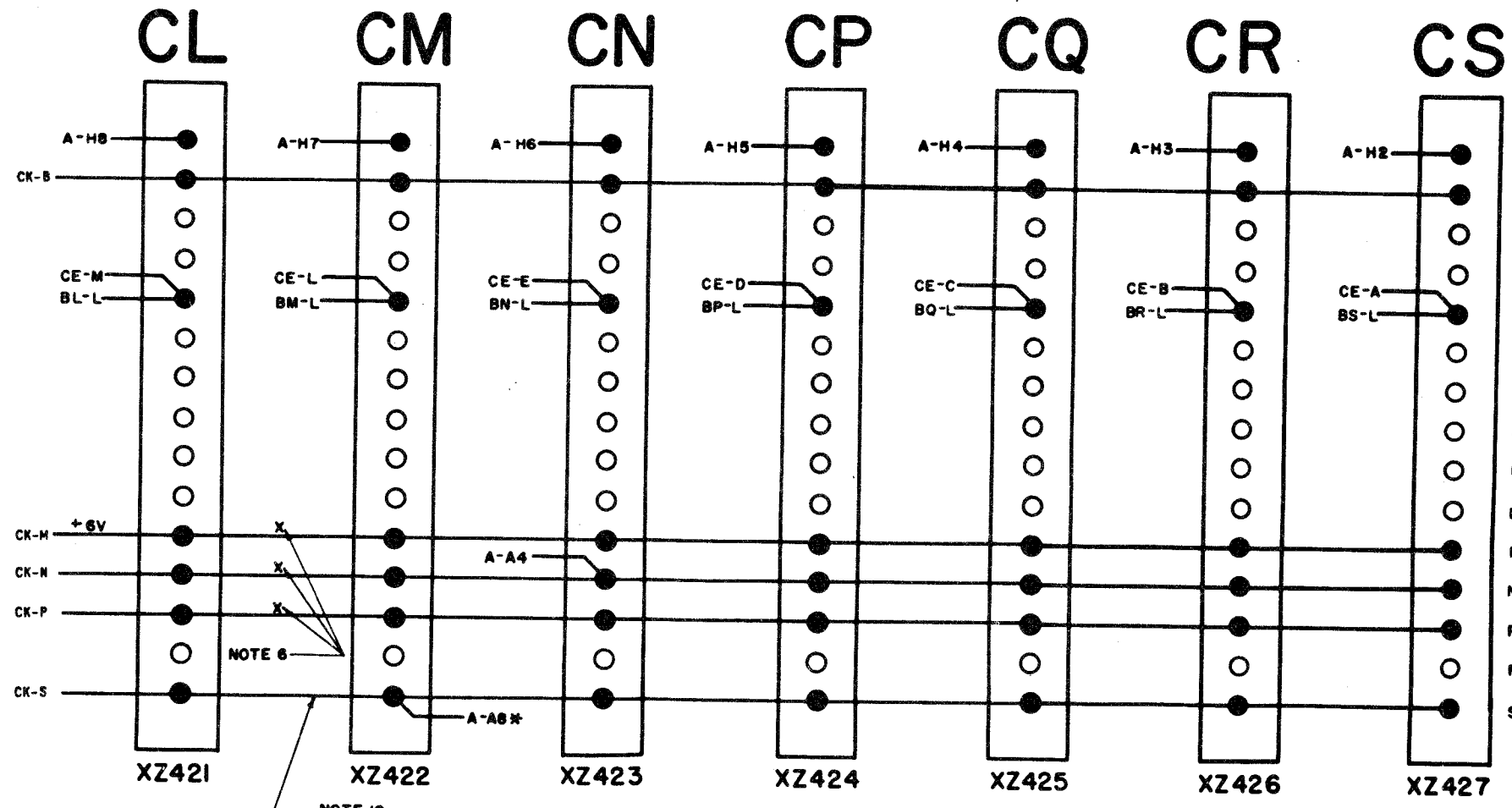
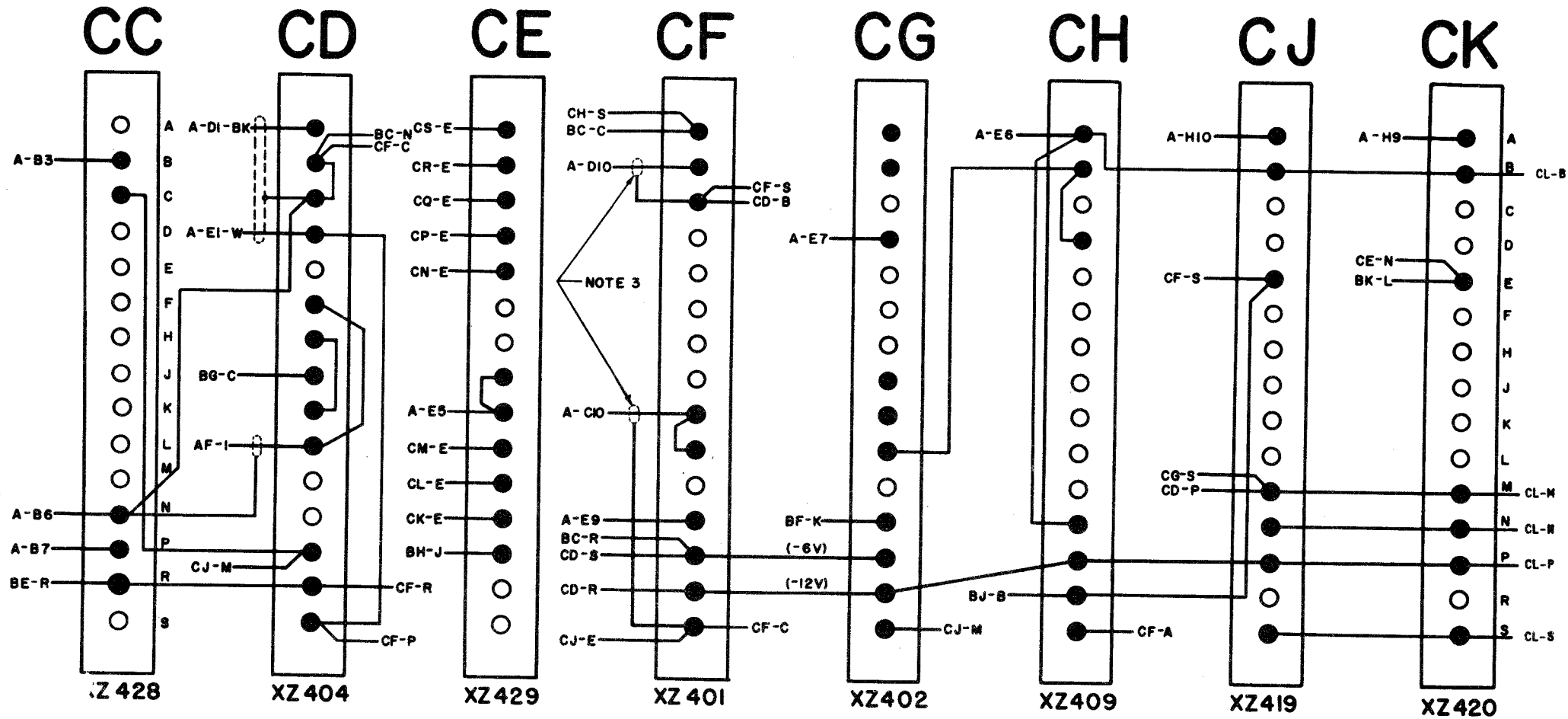
DRAWN R.N.S. CHKD.

ENGD. E.N.P. APPD.

TELETYPE CORPORATION

3837WD

SEE SHEET 1 FOR NOTES.  
MODULE WIRING DIAGRAM



TERMINAL SIDE VIEW

3837WD

REVISIONS

ISSUE	DATE	AUTH. NO.
5	2-28-62	72636
6	2-18-69	96799

RTTY ELECTRONICS  
TELETYPE=Sales-Service-Parts  
PO Box 20101 El Sobrante, Ca.  
94820. (510)222-3102  
mr\_rtty@pacbell.net

FRONT

SHEET 3 OF 3

ACTUAL  
WIRING DIAGRAM  
FOR  
HIGH SPEED  
TAPE RECEIVING  
SIGNAL CONVERTER  
TRSC 600,700,800

APPROVALS

D AND R *HJK* E OF M *[Signature]*

E-NUMBER

PROD. NO. 3837WD

DATE 12-19-69

R.D. FILE NO. 1-122.134A

DRAWN R.H.B. CHKD.

ENGD. E.H.P. APPD.

TELETYPE  
CORPORATION

3837WD