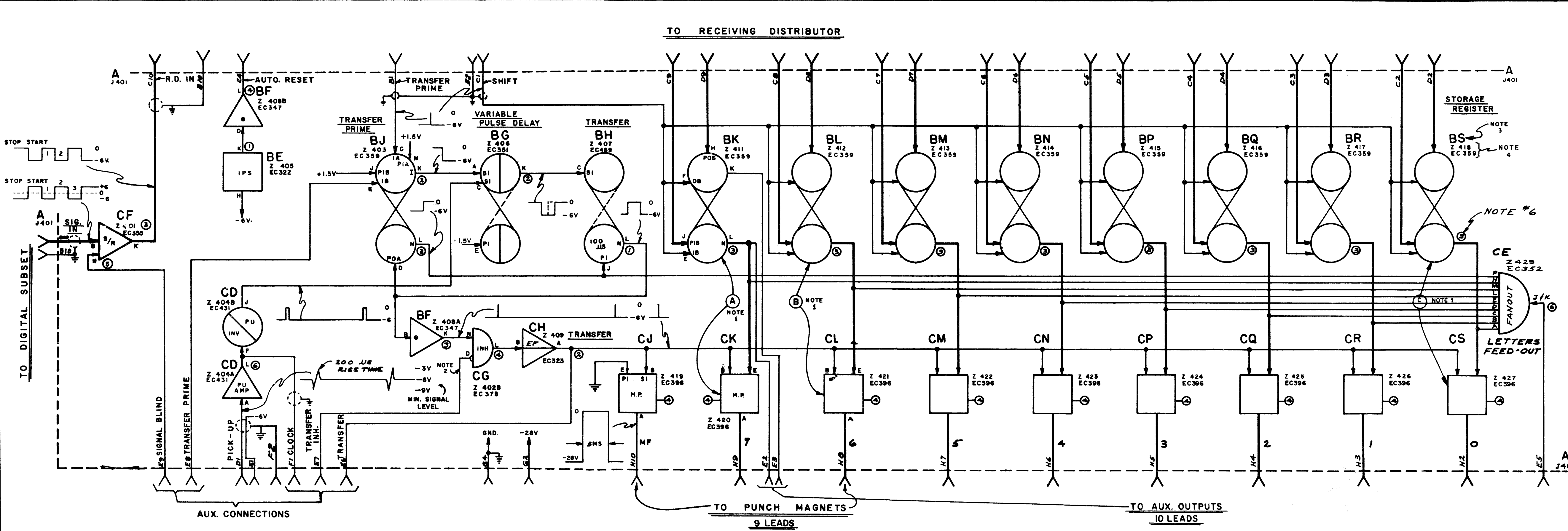
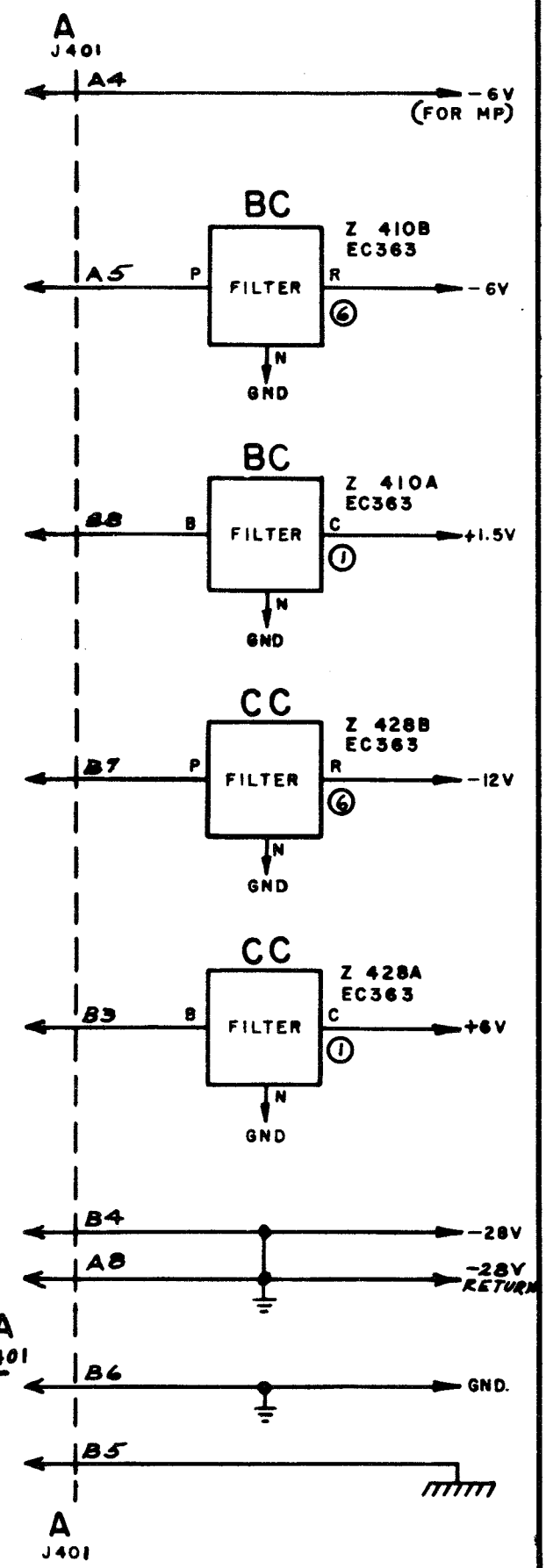
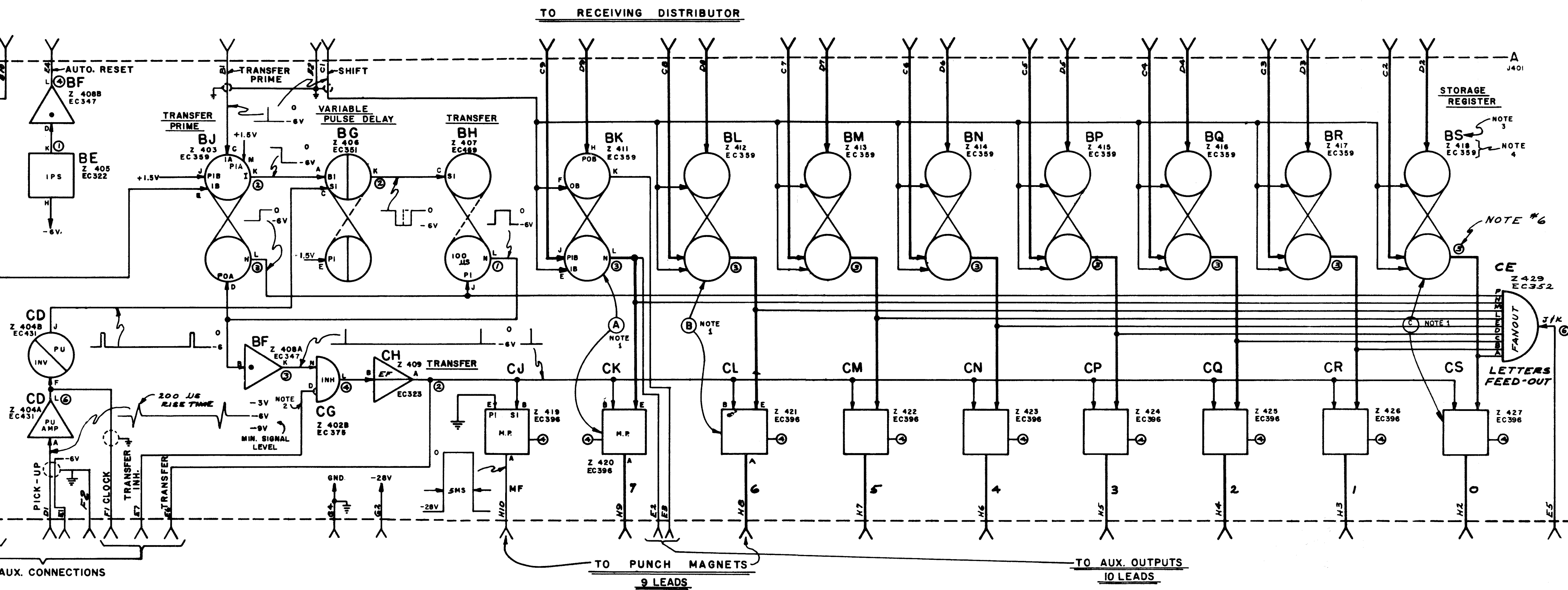


NO	NOTES
1	REFER TO VARIATIONS IN APPARATUS CODE CODES CHART
2	AT -6V WHEN AUXILIARY CONNECTIONS ARE NOT USED.
3	DENOTES POSITION IN MODULE
4	Z NUMBER DENOTES CIRCUIT ELEMENT AND EC NUMBER REFERS TO CIRCUIT BOARD
5	FOR ACTUAL WIRING DIAGRAM REFER TO 3837WD
6	NUMBER IN CIRCLE DENOTES TEST POINT ON CIRCUIT CARD.
7	WITH REGARD TO OUTPUT WAVE FORMS OF EC355, EC351, EC469 AND EC359 ALL RISE TIMES AND FALL TIMES SHOULD BE 6 MICROSECONDS OR LESS, ALL OTHER OUTPUTS RISE TIMES SHOULD BE 6 MICROSECONDS OR LESS UNLESS OTHERWISE SPECIFIED.



RTTY ELECTRONICS  
 TELETYPE=Sales-Service-Parts  
 PO Box 20101 El Sobrante, Ca.  
 94820. (510)222-3102  
 mr\_rtty@pacbell.net



**VARIATIONS IN APPARATUS CODES CHART**

CODE - TRSC	COMPONENTS OMITTED OR INCLUDED - OMIT X INCLUDE		
	600	700	800
LEVEL	6	7	8
A EC359 & EC396	—	—	X
B EC359 & EC396	—	X	X
C EC359 & EC396	X	X	X

**3833WD**

REVISIONS

ISSUE	DATE	AUTH. NO.
A 2	6-19-61	70239
B 3	10-26-61	71476
C 4	2-9-62	72690
D 5	4-6-62	73033
E 6	5-28-64	82090
F 7	12-18-69	96739

ACROTYPE

DATE 11-27-59  
 P.D. FILE NO. 1-47.134AA  
 DRAWN BY CHKD. [Signature]  
 ENGD. [Signature] APPR. [Signature]

**TELETYPE CORPORATION**

**3833WD**

A J401