

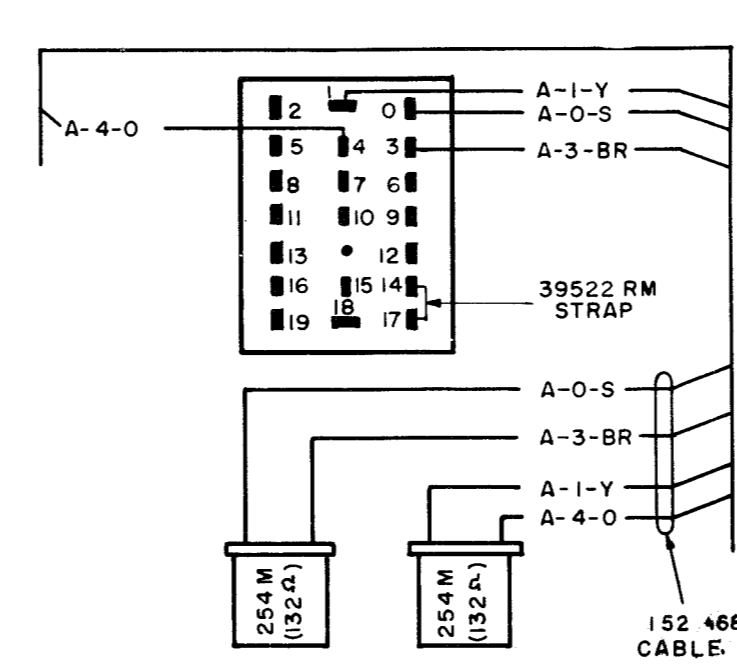
REVISIONS		
ISSUE	DATE	AUTH. NO.
A	1-19-60	25-12406
B	4-19-60	28-13105
C	10-14-60	28-13541
D	4-7-61	69463

- NO. NOTES
- D-4-W-P
DISTANT TERMINATING AREA
DISTANT TERMINAL DESIGNATION
WIRE COLOR CODE
 - COLOR CODE:

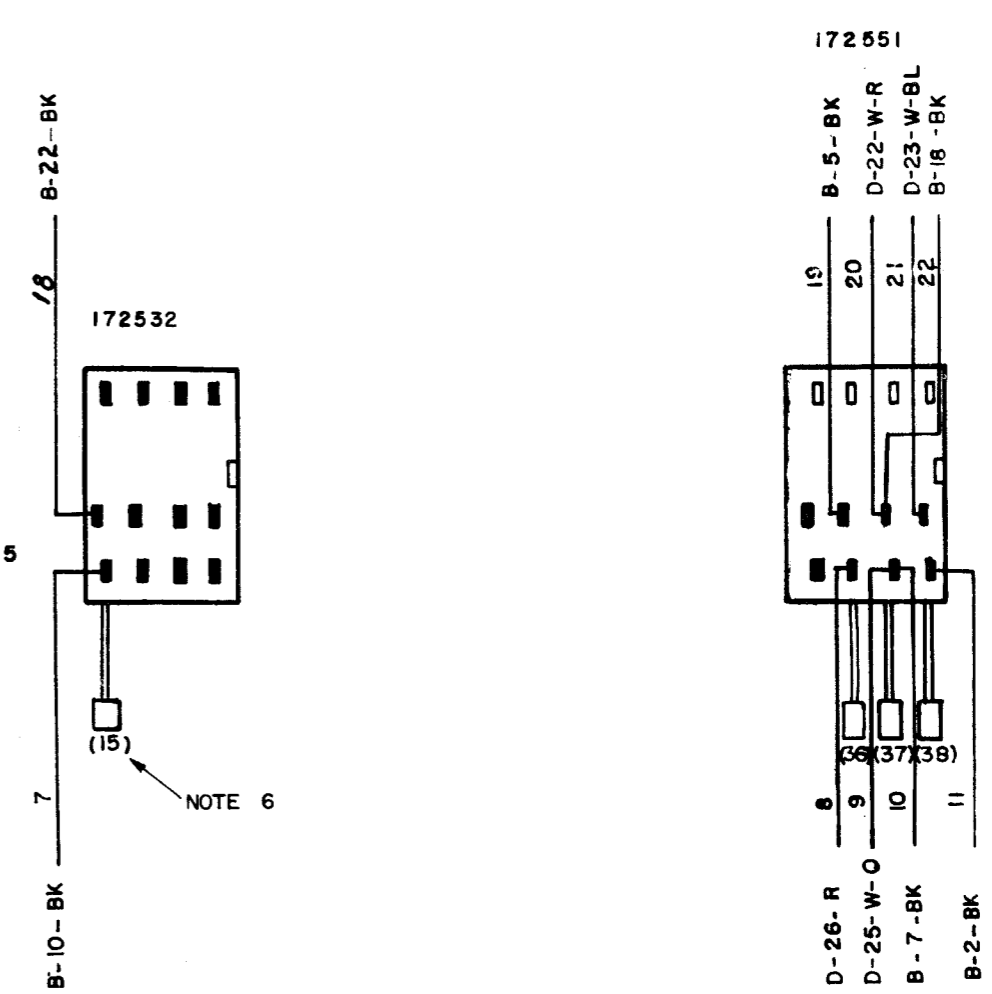
R-RED	W-R-WHITE-RED
BL-BLUE	W-BL-WHITE-BLUE
Y-YELLOW	W-Y-WHITE-YELLOW
O-ORANGE	W-O-WHITE-ORANGE
BR-BROWN	W-BR-WHITE-BROWN
S-SLATE	W-S-WHITE-SLATE
BK-BLACK	W-BK-WHITE-BLACK
G-GREEN	W-G-WHITE-GREEN
P-PURPLE	W-P-WHITE-PURPLE
W-WHITE	
 - CONNECTOR VIEWED FROM SOLDERED TERMINAL ENDS.
 - NORMALLY OPEN CONTACT
NORMALLY CLOSED CONTACT
 - WIRES NOT IDENTIFIED ARE:
39555 RM STRAPPING WIRE
60019 RM TUBING
 - INDICATES NUMBER OF SLOT IN STUNT BOX. ()
 - SPARE WIRES HAVING SAME COLOR CODES MAY BE SOLDERED TO ANY TERMINAL DESIGNATED "SPARE" WITH MATCHING COLOR CODE

RTTY ELECTRONICS
TELETYPE=Sales-Service-Parts
PO Box 20101 El Sobrante, Ca,
94820. (510)222-3102
mr_rtty@pacbell.net

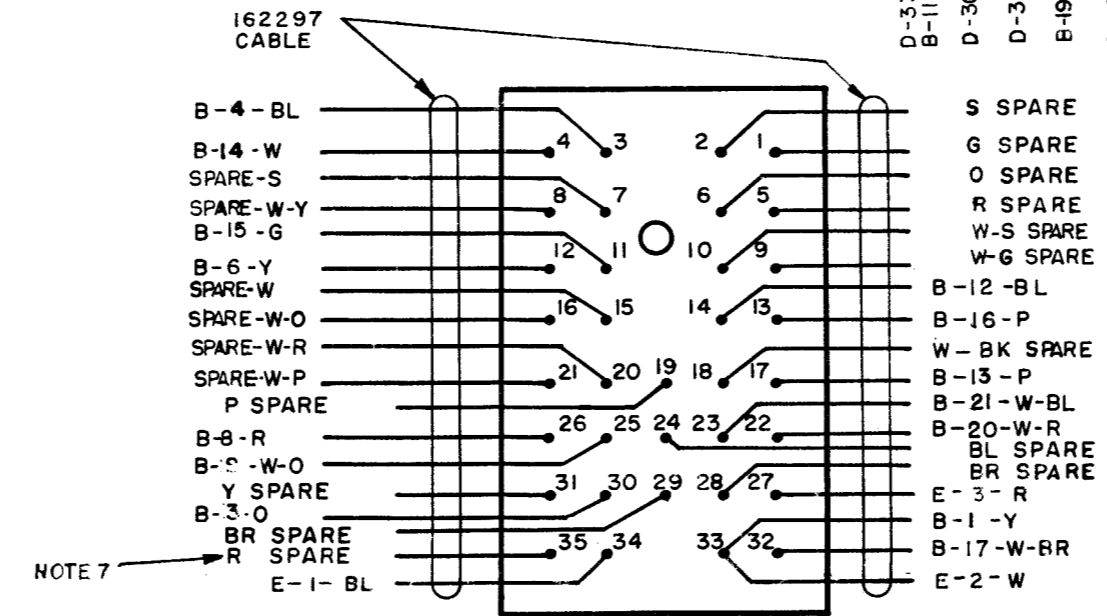
A
TYPING UNIT
CONNECTOR (LEFT)



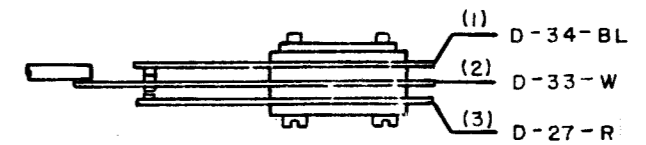
B
STUNT BOX



D
RIGHT CONNECTOR
157273



E
UNIVERSAL CONTACTS



WIRING DIAGRAM
MODEL 28
TYPING UNIT
LP 49
STUNT BOX
AFG

APPROVALS
D AND R E OF M

E-NUMBER
PROD. NO.

DATE: 11-6-58
P.D. FILE NO. I-30.65125A
DRAWN BY: [Signature] CHKD: [Signature]
ENGD. R.H.L. APPD: [Signature]

TELETYPE CORPORATION
3627 WD